



Chipsmall Limited consists of a professional team with an average of over 10 year of expertise in the distribution of electronic components. Based in Hongkong, we have already established firm and mutual-benefit business relationships with customers from,Europe,America and south Asia,supplying obsolete and hard-to-find components to meet their specific needs.

With the principle of “Quality Parts,Customers Priority,Honest Operation,and Considerate Service”,our business mainly focus on the distribution of electronic components. Line cards we deal with include Microchip,ALPS,ROHM,Xilinx,Pulse,ON,Everlight and Freescale. Main products comprise IC,Modules,Potentiometer,IC Socket,Relay,Connector.Our parts cover such applications as commercial,industrial, and automotives areas.

We are looking forward to setting up business relationship with you and hope to provide you with the best service and solution. Let us make a better world for our industry!



Contact us

Tel: +86-755-8981 8866 Fax: +86-755-8427 6832

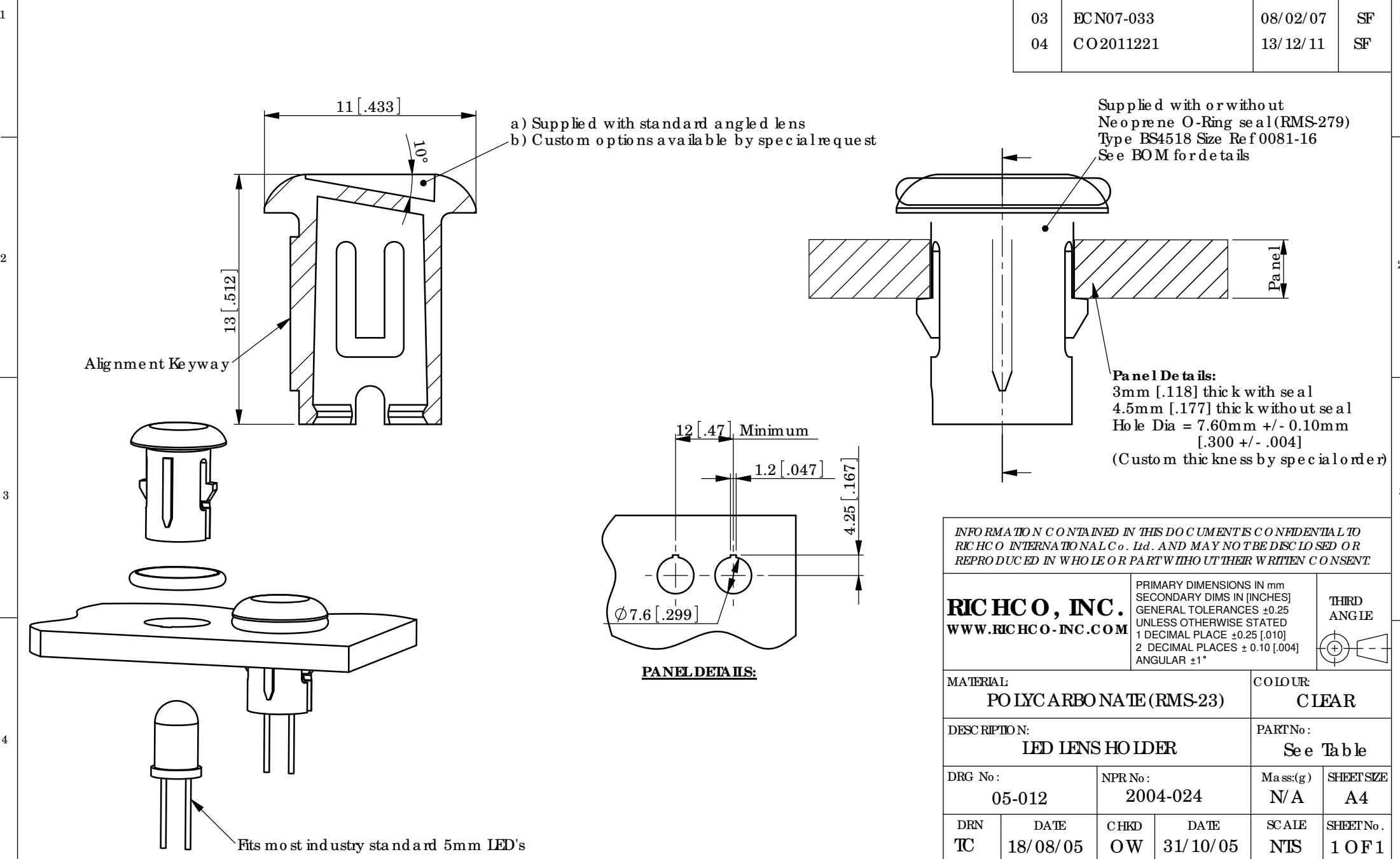
Email & Skype: info@chipsmall.com Web: www.chipsmall.com

Address: A1208, Overseas Decoration Building, #122 Zhenhua RD., Futian, Shenzhen, China



PART No	DETAILS
LEDC-1	WIHO UTO-RING SEAL
LEDC-2	ASSEMBLED WITH BLACK NEO PRENE RUBBER SEAL (RMS-279)

REV.	MODIFICATION.	DATE	DRN
01	PRO DUC TION RELEASE	31/10/05	TC
02	Neoprene replaces silicon & Nitrile. LEDC-3 Removed	2/12/05	TC
03	EC N07-033	08/02/07	SF
04	C O 2011221	13/12/11	SF



INFORMATION CONTAINED IN THIS DOCUMENT IS CONFIDENTIAL TO RICHCO INTERNATIONAL Co. Ltd. AND MAY NOT BE DISCLOSED OR REPRODUCED IN WHOLE OR PART WITH OUT THEIR WRITTEN CONSENT.

RICHCO, INC. WWW.RICHCO-INC.COM	PRIMARY DIMENSIONS IN mm SECONDARY DIMS IN [INCHES] GENERAL TOLERANCES ±0.25 UNLESS OTHERWISE STATED 1 DECIMAL PLACE ±0.25 [.010] 2 DECIMAL PLACES ± 0.10 [.004] ANGULAR ±1°	THIRD ANGLE 	
	MATERIAL: PO LYCARBONATE (RMS-23)	COLOUR: CLEAR	
DESCRIPTION: LED LENS HOLDER	PART No: See Table		
DRG No: 05-012	NPR No: 2004-024	Mass:(g) N/A	SHEET SIZE A4
DRN TC	DATE 18/08/05	CHKD OW	DATE 31/10/05
	SCALE NTS		SHEET No. 1 OF 1