



Chipsmall Limited consists of a professional team with an average of over 10 year of expertise in the distribution of electronic components. Based in Hongkong, we have already established firm and mutual-benefit business relationships with customers from,Europe,America and south Asia,supplying obsolete and hard-to-find components to meet their specific needs.

With the principle of “Quality Parts,Customers Priority,Honest Operation,and Considerate Service”,our business mainly focus on the distribution of electronic components. Line cards we deal with include Microchip,ALPS,ROHM,Xilinx,Pulse,ON,Everlight and Freescale. Main products comprise IC,Modules,Potentiometer,IC Socket,Relay,Connector.Our parts cover such applications as commercial,industrial, and automotives areas.

We are looking forward to setting up business relationship with you and hope to provide you with the best service and solution. Let us make a better world for our industry!



Contact us

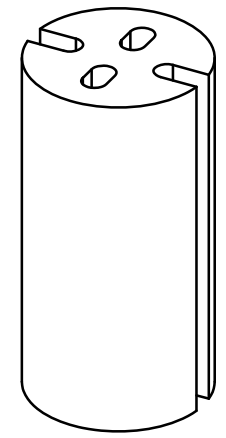
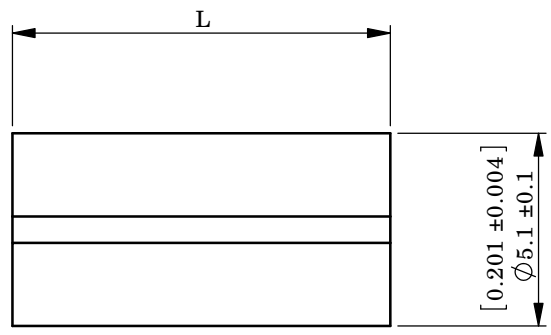
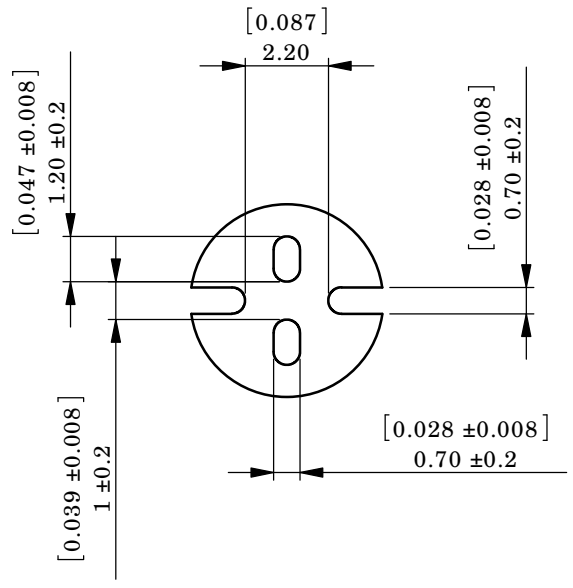
Tel: +86-755-8981 8866 Fax: +86-755-8427 6832

Email & Skype: info@chipsmall.com Web: www.chipsmall.com

Address: A1208, Overseas Decoration Building, #122 Zhenhua RD., Futian, Shenzhen, China



REV.	MODIFICATION.	DATE	DRN
01	NEW DWG	25/05/01	JPM
02	SCN04-093	23/09/04	OW
03	SCN04-096	01/10/04	OW
04	SCN04-100	14/10/04	OW
05	ECN05-021	26/01/05	OW
06	ECR05-096	31/08/05	OW
07	CO2010663	01/06/09	TC
08	CO2011025	26/11/10	LPB
09	CO2011241	06/02/12	SF



INFORMATION CONTAINED IN THIS DOCUMENT IS CONFIDENTIAL TO RICHCO INTERNATIONAL Co. Ltd. AND MAY NOT BE DISCLOSED OR REPRODUCED IN WHOLE OR PART WITHOUT THEIR WRITTEN CONSENT

RICHCO, INC.
WWW.RICHCO-INC.COM

ALL DIMENSIONS IN mm
 GENERAL TOLERANCES ±0.25
 UNLESS OTHERWISE STATED
 1 DECIMAL PLACE ±0.25
 2 DECIMAL PLACES ±0.10
 ANGULAR ±1°

- NOTES:**
- FOR USE WITH 5mm, T-1 3/4 LED
 - PART AVAILABLE IN 1 MILLIMETRE INCREMENTS FROM 2 TO 30
 - ALTERNATE DIMENSIONS FOR REFERENCE ONLY

MATERIAL:	PVC (RMS-388)	COLOR:	BLACK
TITLE:	LED MODULES	PART No.:	LEDM-1-XX

PART No.	LENGTH
LEDM-1-02 - LEDM-1-30	2.0 [0.078] - 30 [1.181]

DRG No:	786-9022	NPR REF:	N/A		SIZE	A4					
DRN	OW	DATE	14/10/04		CHKD	NJB	DATE	14/10/04	SCALE	NTS	SHEET No