



Chipsmall Limited consists of a professional team with an average of over 10 year of expertise in the distribution of electronic components. Based in Hongkong, we have already established firm and mutual-benefit business relationships with customers from,Europe,America and south Asia,supplying obsolete and hard-to-find components to meet their specific needs.

With the principle of “Quality Parts,Customers Priority,Honest Operation,and Considerate Service”,our business mainly focus on the distribution of electronic components. Line cards we deal with include Microchip,ALPS,ROHM,Xilinx,Pulse,ON,Everlight and Freescale. Main products comprise IC,Modules,Potentiometer,IC Socket,Relay,Connector.Our parts cover such applications as commercial,industrial, and automotives areas.

We are looking forward to setting up business relationship with you and hope to provide you with the best service and solution. Let us make a better world for our industry!



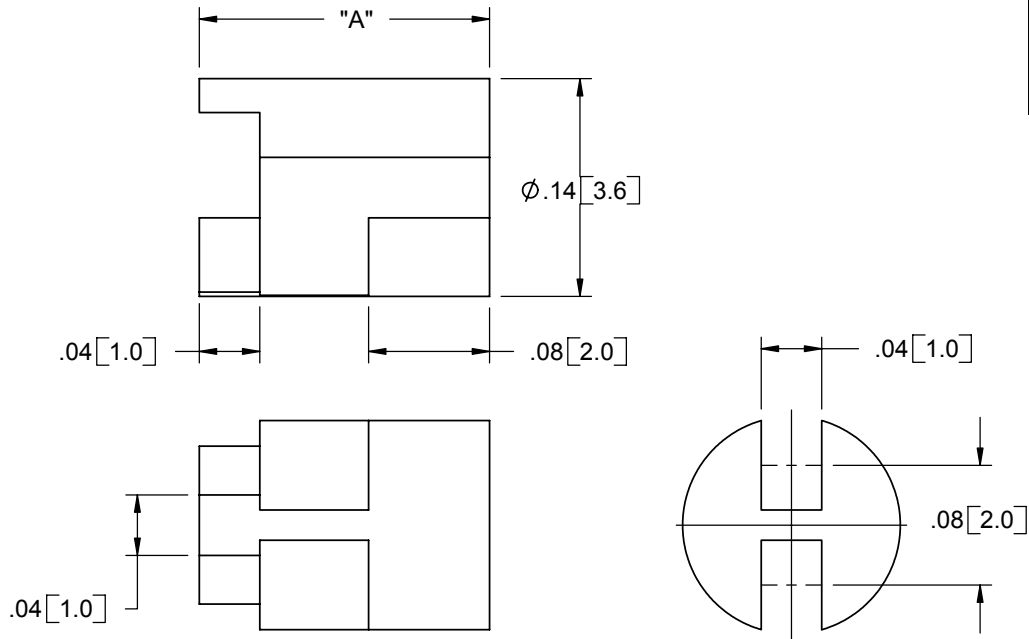
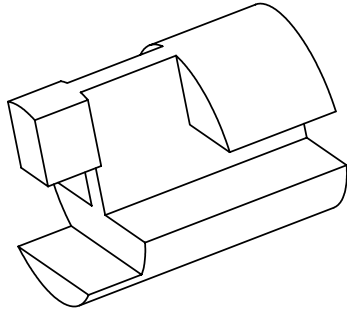
Contact us

Tel: +86-755-8981 8866 Fax: +86-755-8427 6832

Email & Skype: info@chipsmall.com Web: www.chipsmall.com

Address: A1208, Overseas Decoration Building, #122 Zhenhua RD., Futian, Shenzhen, China





PART NO.	"A"
LEDS1E-3-01	3/16 [4.8]
LEDS1E-4-01	1/4 [6.4]
LEDS1E-6-01	3/8 [9.5]
LEDS1E-8-01	1/2 [12.7]
LEDS1E-10-01	5/8 [15.9]
LEDS1E-12-01	3/4 [19.1]
LEDS1E-14-01	7/8 [22.2]
LEDS1E-16/01	1 [25.4]

NOTES:

- MATERIAL: NYLON 6/6 (RMS-01)
FLAME RETARDANT, NYLON (RMS-19)
AVAILABLE BY SPECIAL ORDER ONLY.
- COLOR: NATURAL

TITLE: LED SPACERS (TYPE 1E)			DWG IN IN [MM]		FINAL	
CREATED USING SOLIDWORKS	FILE #: LEDS1E	DWN: SM	APP: -	PART #		
TOLERANCES UNLESS NOTED	SHEET: 1 OF 1	SHEET SIZE: A	DT: 11/19/04	CHKD: -	PRINT TYPE	
XX=±.010	RE: RICHCO, INC.		RICHCO, INC.		SEE TABLE	
.XXX=±.005			ENG@RICHCO-INC.COM		CA	
FRAC.=±1/64			(773) 539-4060			
ANG.=±1°						
B	COMPLETELY REDRAWN- SEE ECN #882	SM	11/19/04			
A	ADDED NOTES AND CHANGED FILE NO.	SM	02/27/02			
REV.	DESCRIPTION	ENGR.	DATE			