



Chipsmall Limited consists of a professional team with an average of over 10 year of expertise in the distribution of electronic components. Based in Hongkong, we have already established firm and mutual-benefit business relationships with customers from,Europe,America and south Asia,supplying obsolete and hard-to-find components to meet their specific needs.

With the principle of “Quality Parts,Customers Priority,Honest Operation,and Considerate Service”,our business mainly focus on the distribution of electronic components. Line cards we deal with include Microchip,ALPS,ROHM,Xilinx,Pulse,ON,Everlight and Freescale. Main products comprise IC,Modules,Potentiometer,IC Socket,Relay,Connector.Our parts cover such applications as commercial,industrial, and automotives areas.

We are looking forward to setting up business relationship with you and hope to provide you with the best service and solution. Let us make a better world for our industry!



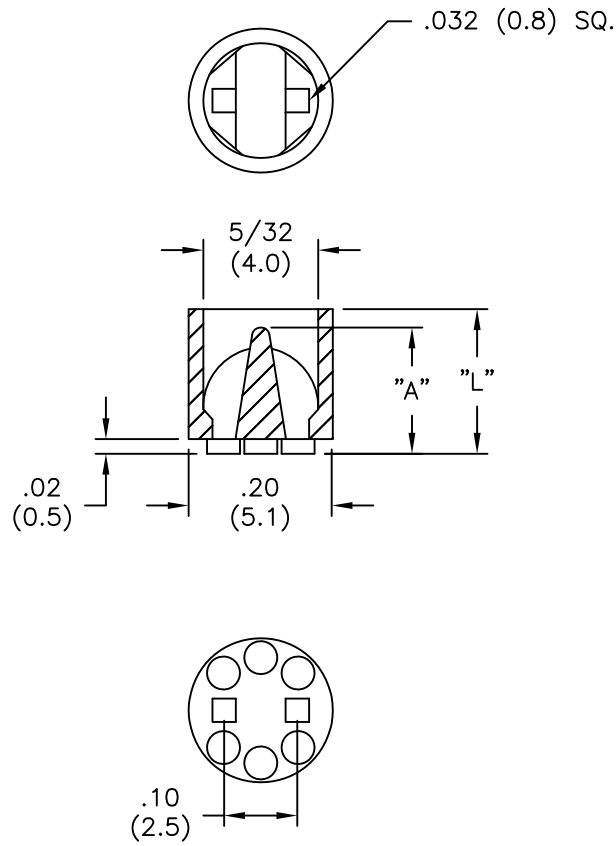
Contact us

Tel: +86-755-8981 8866 Fax: +86-755-8427 6832

Email & Skype: info@chipsmall.com Web: www.chipsmall.com

Address: A1208, Overseas Decoration Building, #122 Zhenhua RD., Futian, Shenzhen, China





PART NUMBER	"L" ±.010 (±0.25)	"A" REF.
LEDS2M-120-01	.12 (3.1)	.08 (2.0)
LEDS2M-140-01	.14 (3.6)	
LEDS2M-160-01	.16 (4.1)	
LEDS2M-180-01	.18 (4.5)	
LEDS2M-200-01	.20 (5.1)	
LEDS2M-220-01	.22 (5.6)	
LEDS2M-240-01	.24 (6.1)	.20 (5.1)
LEDS2M-250-01	.25 (6.4)	
LEDS2M-260-01	.26 (6.6)	
LEDS2M-280-01	.28 (7.1)	
LEDS2M-300-01	.30 (7.8)	
LEDS2M-320-01	.32 (8.1)	
LEDS2M-340-01	.34 (8.6)	.33 (8.4)
LEDS2M-360-01	.36 (9.1)	
LEDS2M-380-01	.38 (9.7)	
LEDS2M-400-01	.40 (10.2)	
LEDS2M-420-01	.42 (10.7)	
LEDS2M-440-01	.44 (11.2)	
LEDS2M-450-01	.45 (11.4)	.45 (11.4)
LEDS2M-460-01	.46 (11.7)	
LEDS2M-500-01	.50 (12.7)	.58 (14.7)
LEDS2M-550-01	.55 (14.0)	
LEDS2M-600-01	.60 (15.2)	.70 (17.8)
LEDS2M-650-01	.65 (16.5)	
LEDS2M-750-01	.75 (19.1)	
LEDS2M-850-01	.85 (21.6)	
LEDS2M-900-01	.90 (22.9)	

NOTES:

1. MATERIAL: NYLON 6/6 UL 94 V-2 (RMS-01).
COLOR: NATURAL,
BLACK AVAILABLE BY SPECIAL ORDER.
2. FOR T-1 3/4 LED'S.

H	SEE CO 200651 FOR CHANGES	SK 04.04.11	TOLERANCES UNLESS NOTED .XX=±.010 .XXX=±.005 FRAC=±1/64 ANG=±1°	TITLE: LED SPACER					DWG IN IN (MM)	
G	SEE CO 200649 FOR CHANGES	SK 04.01.11								
F	SEE ECN #1168 FOR CHANGES	SK 05.19.06		FILE # LEDS2M	DWN: D.D.	APP:	FINAL			
E	SEE ECN #892 FOR CHANGES	SM 12.14.04		MAT'L: SEE NOTES	DT: 05-20-96	DT:			PART # SEE TABLE	PRINT TYPE CA
D	SEE ECN #547 FOR CHANGES	SM 12.20.02		RE: RICHCO, INC.	RICHCO INC. PO BOX 804238, CHICAGO, 60680 (773) 539-4060					
C	SEE ECN #526 FOR CHANGES	SM 11.21.02								
B	CHANGED DIM "A" (SEE ENGINEERING)	SM 11.01.01								
A	CHANGED FILE NO. AND TITLE BLOCK	SM 10.03.01								
REV	DESCRIPTION	ENGR DATE								