



Chipsmall Limited consists of a professional team with an average of over 10 year of expertise in the distribution of electronic components. Based in Hongkong, we have already established firm and mutual-benefit business relationships with customers from,Europe,America and south Asia,supplying obsolete and hard-to-find components to meet their specific needs.

With the principle of "Quality Parts,Customers Priority,Honest Operation,and Considerate Service",our business mainly focus on the distribution of electronic components. Line cards we deal with include Microchip,ALPS,ROHM,Xilinx,Pulse,ON,Everlight and Freescale. Main products comprise IC,Modules,Potentiometer,IC Socket,Relay,Connector.Our parts cover such applications as commercial,industrial, and automotives areas.

We are looking forward to setting up business relationship with you and hope to provide you with the best service and solution. Let us make a better world for our industry!



Contact us

Tel: +86-755-8981 8866 Fax: +86-755-8427 6832

Email & Skype: info@chipsmall.com Web: www.chipsmall.com

Address: A1208, Overseas Decoration Building, #122 Zhenhua RD., Futian, Shenzhen, China





LET9120

RF power transistor from the LdmoST family of n-channel enhancement-mode lateral MOSFETs

Preliminary data

Features

- Excellent thermal stability
- Common source configuration push-pull
- $P_{OUT} = 120\text{ W}$ with 18 dB gain @ 860 MHz
- BeO-free package

Description

The LET9120 is a common source n-channel enhancement-mode lateral field-effect RF power transistor designed for broadband commercial and industrial applications at frequencies up to 1.6 GHz.

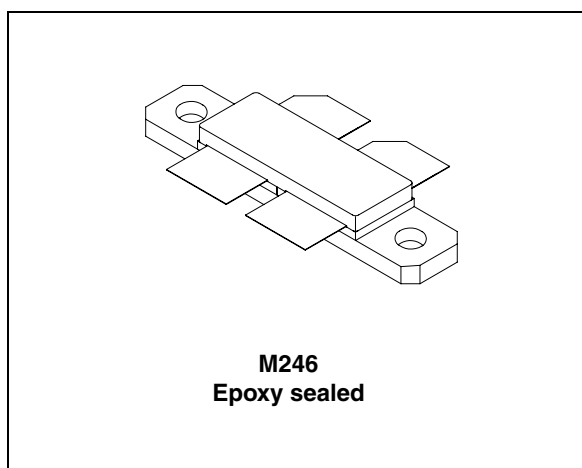


Figure 1. Pin connection

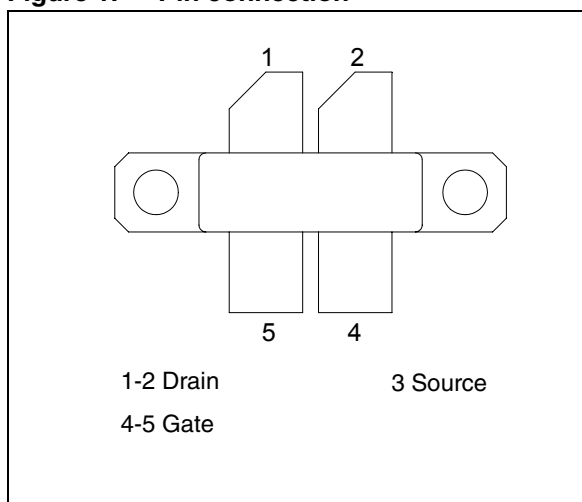


Table 1. Device summary

Order code	Package	Branding
LET9120	M246	LET9120

Contents

1	Electrical data	3
1.1	Maximum ratings	3
1.2	Thermal data	3
2	Electrical characteristics	4
2.1	Static	4
2.2	Dynamic	4
3	Typical performance	5
4	Test circuit	6
5	Package mechanical data	8
6	Revision history	10

1 Electrical data

1.1 Maximum ratings

$T_{CASE} = 25\text{ °C}$

Table 2. Absolute maximum ratings

Symbol	Parameter	Value	Unit
$V_{(BR)DSS}$	Drain-source voltage	80	V
V_{GS}	Gate-source voltage	- 0.5 / + 15	V
I_D	Drain current	18	A
P_{DISS}	Power dissipation (@ $T_C = 70\text{ °C}$)	200	W
T_J	Max. operating junction temperature	200	°C
T_{STG}	Storage temperature	- 65 to + 150	°C

1.2 Thermal data

Table 3. Thermal data

Symbol	Parameter	Value	Unit
R_{thJC}	Junction - case thermal resistance	0.65	°C/W

2 Electrical characteristics

$$T_{\text{CASE}} = + 25 \text{ }^{\circ}\text{C}$$

2.1 Static

Table 4. Static (per section)

Symbol	Test conditions		Min.	Typ.	Max.	Unit
$V_{(\text{BR})\text{DSS}}$	$V_{\text{GS}} = 0 \text{ V}$	$I_{\text{DS}} = 10 \text{ mA}$	80			V
I_{DSS}	$V_{\text{GS}} = 0 \text{ V}$	$V_{\text{DS}} = 28 \text{ V}$			1	μA
I_{GSS}	$V_{\text{GS}} = 5 \text{ V}$	$V_{\text{DS}} = 0 \text{ V}$			1	μA
$V_{\text{GS(Q)}}$	$V_{\text{DS}} = 28 \text{ V}$	$I_{\text{D}} = 100 \text{ mA}$	2.0		5.0	V
$V_{\text{DS(ON)}}$	$V_{\text{GS}} = 10 \text{ V}$	$I_{\text{D}} = 3 \text{ A}$		0.9	1.2	V
G_{FS}	$V_{\text{DS}} = 10 \text{ V}$	$I_{\text{D}} = 3 \text{ A}$	2.5			mho
C_{ISS}	$V_{\text{GS}} = 0 \text{ V}$	$V_{\text{DS}} = 28 \text{ V}$		58		pF
C_{OSS}	$V_{\text{GS}} = 0 \text{ V}$	$V_{\text{DS}} = 28 \text{ V}$		30		pF
C_{RSS}	$V_{\text{GS}} = 0 \text{ V}$	$V_{\text{DS}} = 28 \text{ V}$		0.7		pF

2.2 Dynamic

Table 5. Dynamic

Symbol	Test conditions		Min.	Typ.	Max.	Unit
P_{OUT}	$V_{\text{DD}} = 32 \text{ V}$	$I_{\text{DQ}} = 400 \text{ mA}$ $P_{\text{IN}} = 2.5 \text{ W}$	120	150	-	W
G_{PS}	$V_{\text{DD}} = 32 \text{ V}$	$I_{\text{DQ}} = 400 \text{ mA}$ $P_{\text{OUT}} = 150 \text{ W}$	16	18		dB
η_{D}	$V_{\text{DD}} = 32 \text{ V}$	$I_{\text{DQ}} = 400 \text{ mA}$ $P_{\text{OUT}} = 150 \text{ W}$	60	70		%
Load Mismatch	$V_{\text{DD}} = 32 \text{ V}$	$I_{\text{DQ}} = 400 \text{ mA}$ $P_{\text{OUT}} = 160 \text{ W @ 860 MHz}$ All phase angles		20:1		VSWR

Table 6. Impedance data

Frequency Mhz	Z source Ω (As measured in the circuit gate to gate)	Z load Ω (As measured in the circuit drain to drain)
860	$1.5 + j 2.2$	$6.2 + j 5.2$

3 Typical performance

Figure 2. Gain & efficiency vs. output power

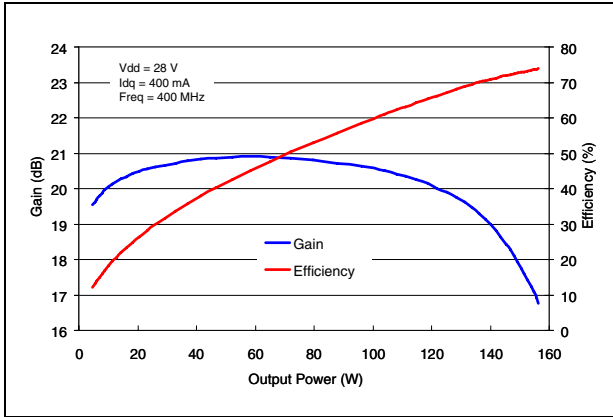


Figure 3. Gain vs. output power & bias current

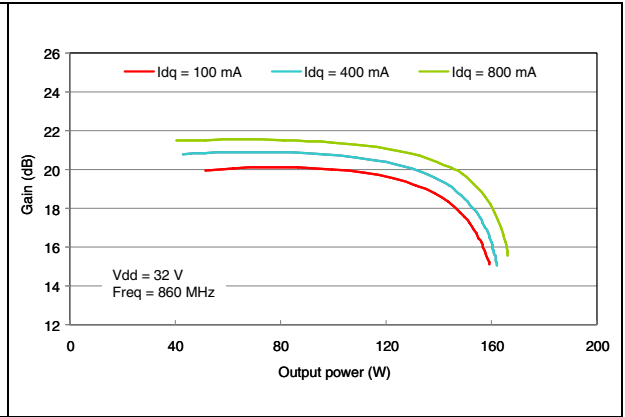


Figure 4. Output power & efficiency vs. input power

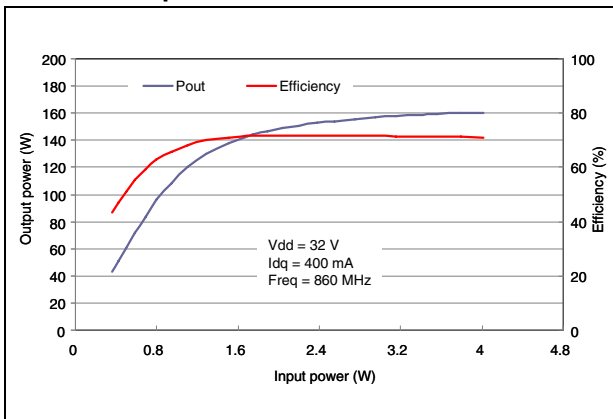
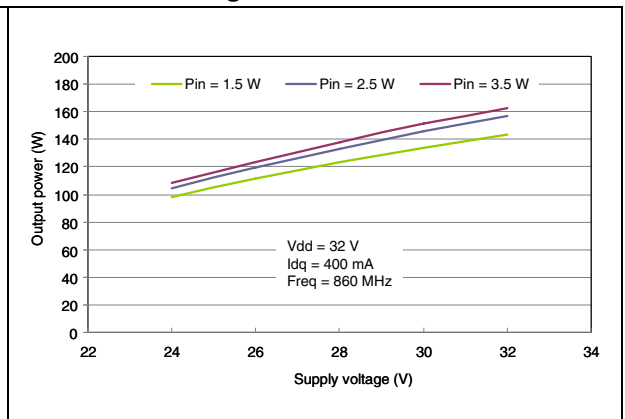


Figure 5. Output power vs. drain supply voltage



4 Test circuit

Figure 6. Test circuit schematic - 860 MHz

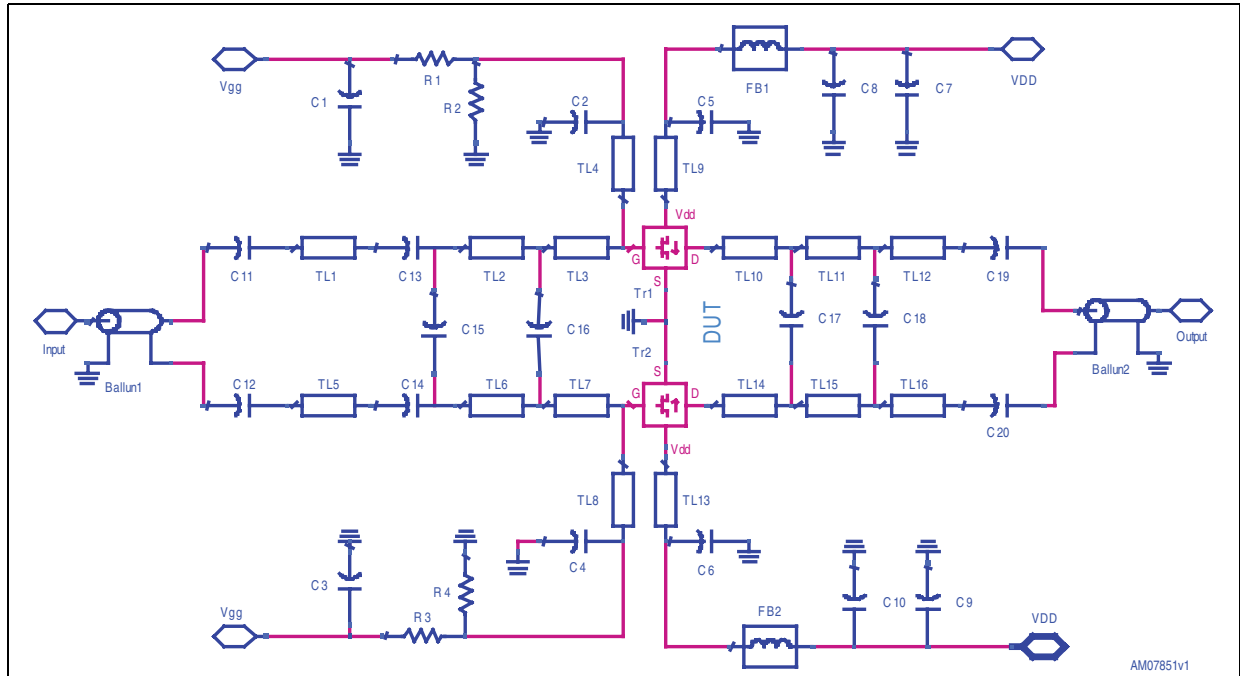


Table 7. Circuit component list

Item	Q.ty	Part number	Vender	Description
R1, R3	2	CR1206-8W-130JB	VENKEL	13 Ω, 1/8 W surface mount chip resistor
R2, R4	2	CR1206-8W-122JB	VENKEL	1.2 kΩ, 1/8 W surface mount chip resistor
R5, R6	2	CR1206-8W-250JB	VENKEL	25 Ω, 1/8 W surface mount chip resistor
B1, B2	2	2743021447	FAIR-RITE CORP	Surface mount EMI shield bead
C1, C3, C7, C9	4			100 μF, 63 V electrolytic capacitor
C2, C4, C5, C6	4	ATC100B910XXXX	ATC	91 pF chip capacitor
C8, C10	2	C1812X7R501-104KNE	VENKEL	0.1 F 500 V surface mount ceramic chip capacitor
C11, C12	2	ATC100B620XXXX	ATC	62 pF chip capacitor
C13, C14	2	ATC100B151XXXX	ATC	150 pF chip capacitor
C15	1	ATC100B110XXXX	ATC	11 pF chip capacitor
C16	1	ATC100B7R5XXXX	ATC	7.5 pF chip capacitor
C17	1	ATC100B1R1XXXX	ATC	1.1 pF chip capacitor
C18	1	27291PC	JOHANSON	0.8 - 8 pF giga trim variable capacitor

Table 7. Circuit component list (continued)

Item	Q.ty	Part number	Vender	Description
C19, C20	2	ATC100B101XXXX	ATC	100 pF chip capacitor
TL1, TL5				L= 0.250in [6.35mm] W=0.214in [5.44mm]
TL2, TL6				L= 0.182in [4.62mm] W=0.284in [7.21mm]
TL3, TL7				L= 0.318in [8.08mm] W=0.284in [7.21mm]
TL4, TL8, TL9, TL13				L= 2.37in [60.19mm] W=0.082in [2.08mm]
TL10, TL14				L= 0.314in [7.97mm] W=0.230in [5.84mm]
TL11, TL15				L= 0.460in [11.68mm] W=0.230in [5.84mm]
TL12, TL16				L= 0.280in [7.11mm] W=0.230in [5.84mm]
Board 3X5	1		Rogers Corp	Er=2.55 t=0.0026in h=0.030in

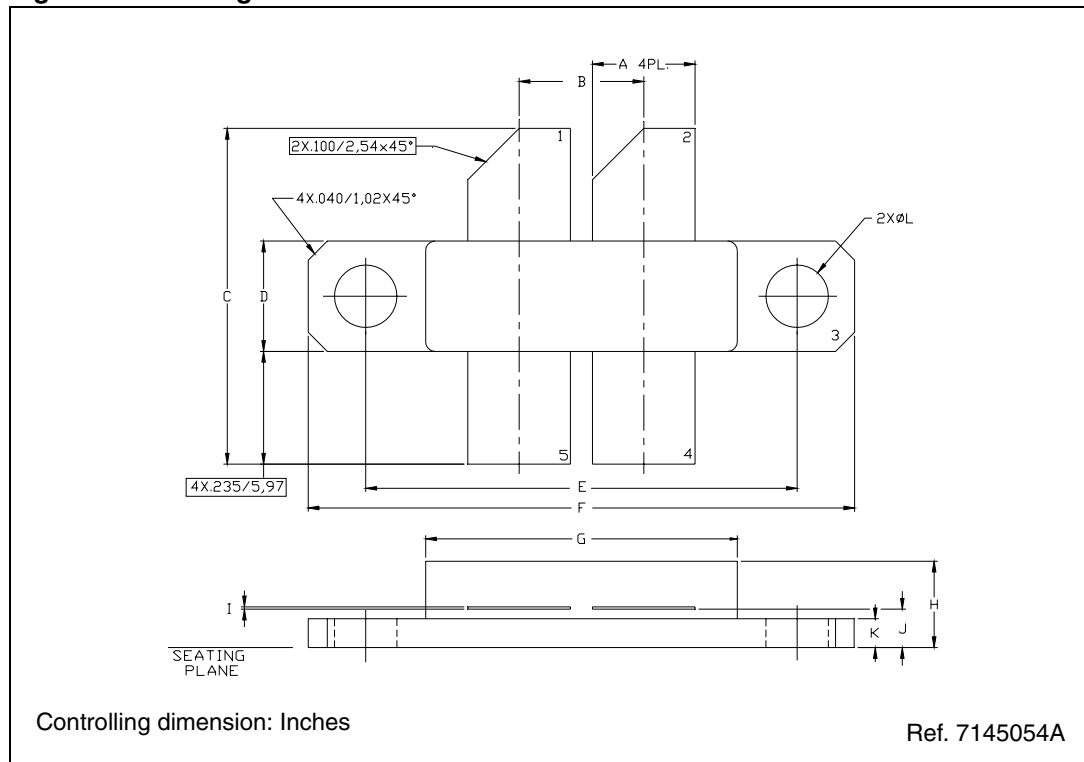
5 Package mechanical data

In order to meet environmental requirements, ST offers these devices in different grades of ECOPACK[®] packages, depending on their level of environmental compliance. ECOPACK[®] specifications, grade definitions and product status are available at: www.st.com. ECOPACK[®] is an ST trademark.

Table 8. M246 (0.230 x 0.650 WIDE 4/L BAL N/HERM W/FLG) mechanical data

Dim.	mm.			Inch.		
	Min.	Typ.	Max.	Min.	Typ.	Max.
A	5.33		5.59	0.210		0.220
B	6.48		6.73	0.255		0.265
C	17.27		18.29	0.680		0.720
D	5.72		5.97	0.225		0.235
E		22.86			.900	
F	28.83		29.08	1.135		1.145
G	16.26		16.76	0.640		0.660
H	4.19		5.08	0.165		0.200
I	0.08		0.15	0.003		0.006
J	1.83		2.24	0.072		0.088
K	1.40		1.65	0.055		0.065
L	3.18		3.43	0.125		0.135

Figure 7. Package dimensions



6 Revision history

Table 9. Document revision history

Date	Revision	Changes
10-Mar-2009	1	First Issue.
22-Jul-2009	2	Updated document's title.
18-Nov-2009	3	Updated V_{GS} in Table 2 .
11-Feb-2010	4	Changed test condition for $V_{(BR)DSS}$ in Table 4: Static (per section) .
22-Oct-2010	5	Added: Typical performance on page 5 and Test circuit on page 6 .

Please Read Carefully:

Information in this document is provided solely in connection with ST products. STMicroelectronics NV and its subsidiaries ("ST") reserve the right to make changes, corrections, modifications or improvements, to this document, and the products and services described herein at any time, without notice.

All ST products are sold pursuant to ST's terms and conditions of sale.

Purchasers are solely responsible for the choice, selection and use of the ST products and services described herein, and ST assumes no liability whatsoever relating to the choice, selection or use of the ST products and services described herein.

No license, express or implied, by estoppel or otherwise, to any intellectual property rights is granted under this document. If any part of this document refers to any third party products or services it shall not be deemed a license grant by ST for the use of such third party products or services, or any intellectual property contained therein or considered as a warranty covering the use in any manner whatsoever of such third party products or services or any intellectual property contained therein.

UNLESS OTHERWISE SET FORTH IN ST'S TERMS AND CONDITIONS OF SALE ST DISCLAIMS ANY EXPRESS OR IMPLIED WARRANTY WITH RESPECT TO THE USE AND/OR SALE OF ST PRODUCTS INCLUDING WITHOUT LIMITATION IMPLIED WARRANTIES OF MERCHANTABILITY, FITNESS FOR A PARTICULAR PURPOSE (AND THEIR EQUIVALENTS UNDER THE LAWS OF ANY JURISDICTION), OR INFRINGEMENT OF ANY PATENT, COPYRIGHT OR OTHER INTELLECTUAL PROPERTY RIGHT.

UNLESS EXPRESSLY APPROVED IN WRITING BY AN AUTHORIZED ST REPRESENTATIVE, ST PRODUCTS ARE NOT RECOMMENDED, AUTHORIZED OR WARRANTED FOR USE IN MILITARY, AIR CRAFT, SPACE, LIFE SAVING, OR LIFE SUSTAINING APPLICATIONS, NOR IN PRODUCTS OR SYSTEMS WHERE FAILURE OR MALFUNCTION MAY RESULT IN PERSONAL INJURY, DEATH, OR SEVERE PROPERTY OR ENVIRONMENTAL DAMAGE. ST PRODUCTS WHICH ARE NOT SPECIFIED AS "AUTOMOTIVE GRADE" MAY ONLY BE USED IN AUTOMOTIVE APPLICATIONS AT USER'S OWN RISK.

Resale of ST products with provisions different from the statements and/or technical features set forth in this document shall immediately void any warranty granted by ST for the ST product or service described herein and shall not create or extend in any manner whatsoever, any liability of ST.

ST and the ST logo are trademarks or registered trademarks of ST in various countries.

Information in this document supersedes and replaces all information previously supplied.

The ST logo is a registered trademark of STMicroelectronics. All other names are the property of their respective owners.

© 2010 STMicroelectronics - All rights reserved

STMicroelectronics group of companies

Australia - Belgium - Brazil - Canada - China - Czech Republic - Finland - France - Germany - Hong Kong - India - Israel - Italy - Japan - Malaysia - Malta - Morocco - Philippines - Singapore - Spain - Sweden - Switzerland - United Kingdom - United States of America

www.st.com

