



Chipsmall Limited consists of a professional team with an average of over 10 year of expertise in the distribution of electronic components. Based in Hongkong, we have already established firm and mutual-benefit business relationships with customers from,Europe,America and south Asia,supplying obsolete and hard-to-find components to meet their specific needs.

With the principle of “Quality Parts,Customers Priority,Honest Operation,and Considerate Service”,our business mainly focus on the distribution of electronic components. Line cards we deal with include Microchip,ALPS,ROHM,Xilinx,Pulse,ON,Everlight and Freescale. Main products comprise IC,Modules,Potentiometer,IC Socket,Relay,Connector.Our parts cover such applications as commercial,industrial, and automotives areas.

We are looking forward to setting up business relationship with you and hope to provide you with the best service and solution. Let us make a better world for our industry!



Contact us

Tel: +86-755-8981 8866 Fax: +86-755-8427 6832

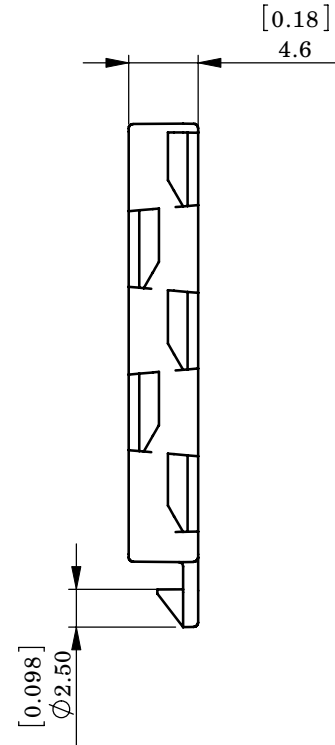
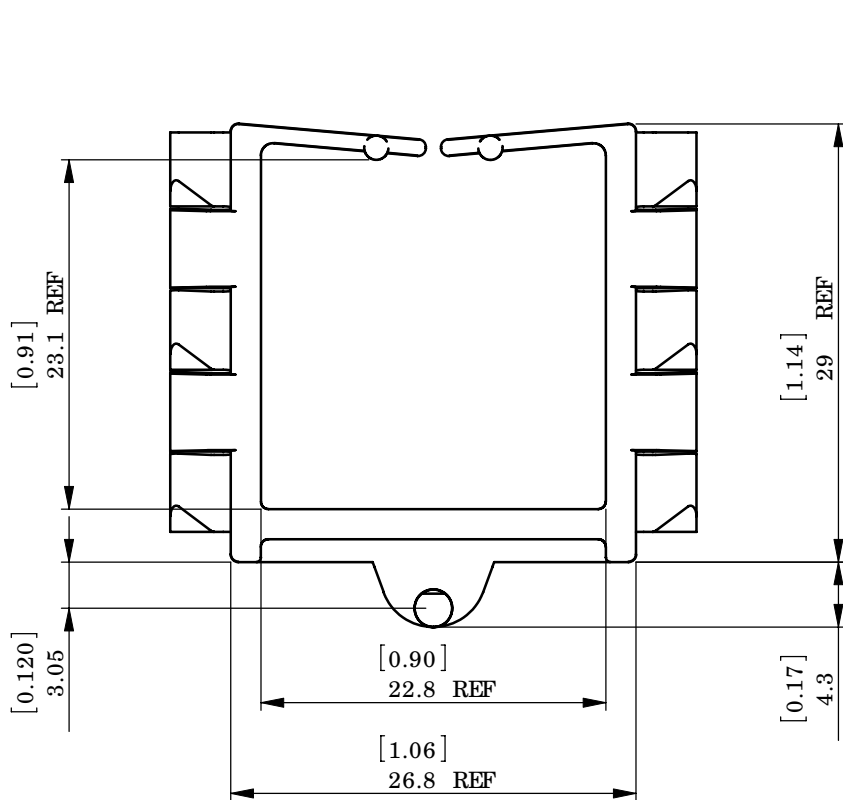
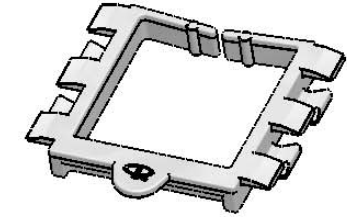
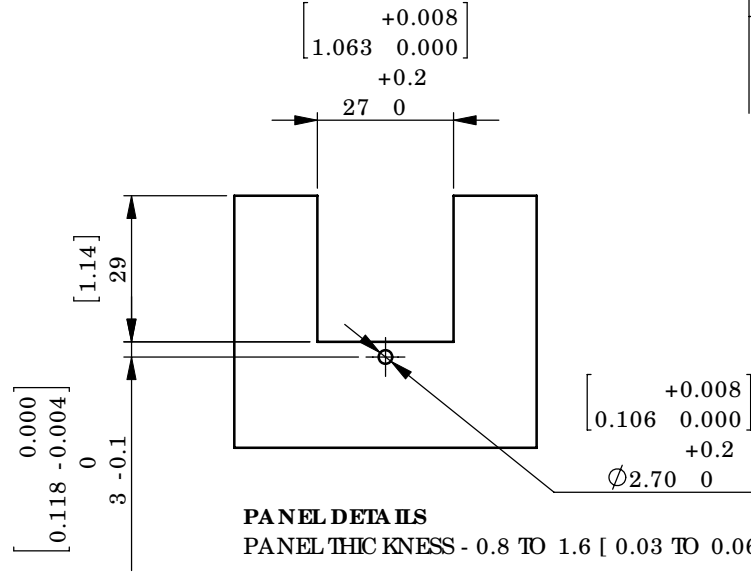
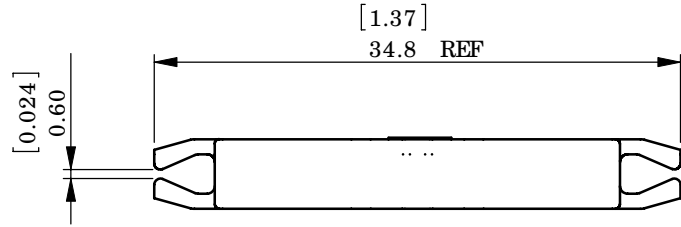
Email & Skype: info@chipsmall.com Web: www.chipsmall.com

Address: A1208, Overseas Decoration Building, #122 Zhenhua RD., Futian, Shenzhen, China



PART NUMBER	MATERIAL
LEWSE-27-01	NYLON 6/6 UL94 V-2 (RMS-01)

REV.	MODIFICATION.	DATE	DRN
01	SALES RELEASE	25/03/09	TC
02	CO2010719	18/06/09	SF
03	CO2010720	19/06/09	SF



NO TES.

- PARTS AVAILABLE IN NYLON 6/6 UL94 V-0(RMS-19) MATERIAL BY SPECIAL ORDER. USE LEWSE-27-19 TO ORDER.
- PARTS ALSO AVAILABLE IN NYLON 4/6 UL94 V-2 (RMS-109) MATERIAL BY SPECIAL ORDER. USE LEWSE-27-109 TO ORDER.

ALTERNATE UNITS FOR REFERENCE ONLY

<p>INFORMATION CONTAINED IN THIS DOCUMENT IS CONFIDENTIAL TO RICHCO INTERNATIONAL Co. Ltd. AND MAY NOT BE DISCLOSED OR REPRODUCED IN WHOLE OR PART WITHOUT THEIR WRITTEN CONSENT</p>					
		<p>ALL DIMENSIONS IN mm GENERAL TOLERANCES ±0.25 UNLESS OTHERWISE STATED 1 DECIMAL PLACE ± 2 DECIMAL PLACES ± ANGULAR ±1°</p>		<p>THIRD ANGLE</p>	
<p>MATERIAL: SEE TABLE</p>			<p>C O L O U R: NATURAL</p>		
<p>DESCRIPTION: EDGE WIRE SADDLE</p>			<p>PART No: SEE TABLE</p>		
<p>DRG No: 09-029</p>		<p>NPR No: DE08-0120</p>		<p>SHEET SIZE A4</p>	
<p>DRN PH</p>	<p>DATE 08/01/09</p>	<p>CHKD TC</p>	<p>DATE 25/03/09</p>	<p>SCALE NTS</p>	<p>SHEET No. 1 OF 1</p>