



Chipsmall Limited consists of a professional team with an average of over 10 year of expertise in the distribution of electronic components. Based in Hongkong, we have already established firm and mutual-benefit business relationships with customers from,Europe,America and south Asia,supplying obsolete and hard-to-find components to meet their specific needs.

With the principle of “Quality Parts,Customers Priority,Honest Operation,and Considerate Service”,our business mainly focus on the distribution of electronic components. Line cards we deal with include Microchip,ALPS,ROHM,Xilinx,Pulse,ON,Everlight and Freescale. Main products comprise IC,Modules,Potentiometer,IC Socket,Relay,Connector.Our parts cover such applications as commercial,industrial, and automotives areas.

We are looking forward to setting up business relationship with you and hope to provide you with the best service and solution. Let us make a better world for our industry!



Contact us

Tel: +86-755-8981 8866 Fax: +86-755-8427 6832

Email & Skype: info@chipsmall.com Web: www.chipsmall.com

Address: A1208, Overseas Decoration Building, #122 Zhenhua RD., Futian, Shenzhen, China



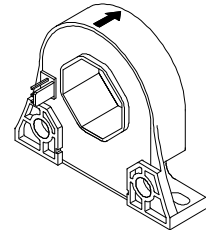
Current Transducer LF 306-S

$$I_{PN} = 300 \text{ A}$$

For the electronic measurement of currents : DC, AC, pulsed..., with a galvanic isolation between the primary circuit (high power) and the secondary circuit (electronic circuit).



16130



Electrical data

I_{PN}	Primary nominal r.m.s. current	300	A		
I_P	Primary current, measuring range	0 .. ± 500	A		
R_M	Measuring resistance	R_{Mmin}	R_{Mmax}		
				with $\pm 12 \text{ V}$	@ $\pm 300 \text{ A}_{max}$
		@ $\pm 500 \text{ A}_{max}$	0	8	Ω
	with $\pm 15 \text{ V}$	@ $\pm 300 \text{ A}_{max}$	10	56	Ω
	@ $\pm 500 \text{ A}_{max}$	10	20	Ω	
I_{SN}	Secondary nominal r.m.s. current	150	mA		
K_N	Conversion ratio	1 : 2000			
V_C	Supply voltage ($\pm 5 \%$)	$\pm 12 \dots 15$	V		
I_C	Current consumption	20 (@ $\pm 15 \text{ V}$) + I_S	mA		

Accuracy - Dynamic performance data

X_G	Overall accuracy @ I_{PN} , $T_A = 25^\circ\text{C}$	± 0.4	%	
ϵ_L	Linearity error	< 0.1	%	
I_O	Offset current @ $I_P = 0$, $T_A = 25^\circ\text{C}$	Typ	Max	
			± 0.20	mA
I_{OM}	Residual current ¹⁾ @ $I_P = 0$, after an overload of $3 \times I_{PN}$		± 0.08	mA
I_{OT}	Thermal drift of I_O - $25^\circ\text{C} \dots 70^\circ\text{C}$	± 0.20	± 0.64	mA
t_{ra}	Reaction time @ 10 % of I_{Pmax}	< 500	ns	
t_r	Response time ²⁾ @ 90 % of I_{PN}	< 1	μs	
di/dt	di/dt accurately followed	> 100	A/ μs	
f	Frequency bandwidth (- 1 dB)	DC .. 100	kHz	

General data

T_A	Ambient operating temperature	- 25 .. + 70	$^\circ\text{C}$
T_S	Ambient storage temperature	- 40 .. + 90	$^\circ\text{C}$
R_S	Secondary coil resistance @ $T_A = 70^\circ\text{C}$	34	Ω
m	Mass	60	g
	Standards	EN 50178 : 1997	

Features

- Closed loop (compensated) current transducer using the Hall effect
- Insulated plastic case recognized according to UL 94-V0.

Advantages

- Excellent accuracy
- Very good linearity
- Low temperature drift
- Optimized response time
- Wide frequency bandwidth
- No insertion losses
- High immunity to external interference
- Current overload capability.

Applications

- AC variable speed drives and servo motor drives
- Static converters for DC motor drives
- Battery supplied applications
- Uninterruptible Power Supplies (UPS)
- Switched Mode Power Supplies (SMPS)
- Power supplies for welding applications.

Application Domain

- Industrial.

Notes : ¹⁾ The result of the coercive field of the magnetic circuit

²⁾ With a di/dt of 100 A/ μs .

Current Transducer LF 306-S

Isolation characteristics

V_d	R.m.s. voltage for AC isolation test, 50/60 Hz, 1 mn	6	kV
\hat{V}_w	Impulse withstand voltage 1.2/50 μ s	>7.3	kV
		Min	
dCp	Creepage distance	8	mm
dCl	Clearance distance	7.15	mm
CTI	Comparative Tracking Index (Group III a)	175	

Application examples

According to EN 50178 and IEC 61010-1 standards and following conditions :

- Over voltage category OV 3
- Pollution degree PD2
- Non-uniform field

	EN 50178	IEC 61010-1
dCp, dCl, \hat{V}_w	Rated isolation voltage	Nominal voltage
Single isolation	600 V	600 V
Reinforced isolation	300 V	300 V

Safety



This transducer must be used in electric/electronic equipment with respect to applicable standards and safety requirements in accordance with the manufacturer's operating instructions.



Caution, risk of electrical shock

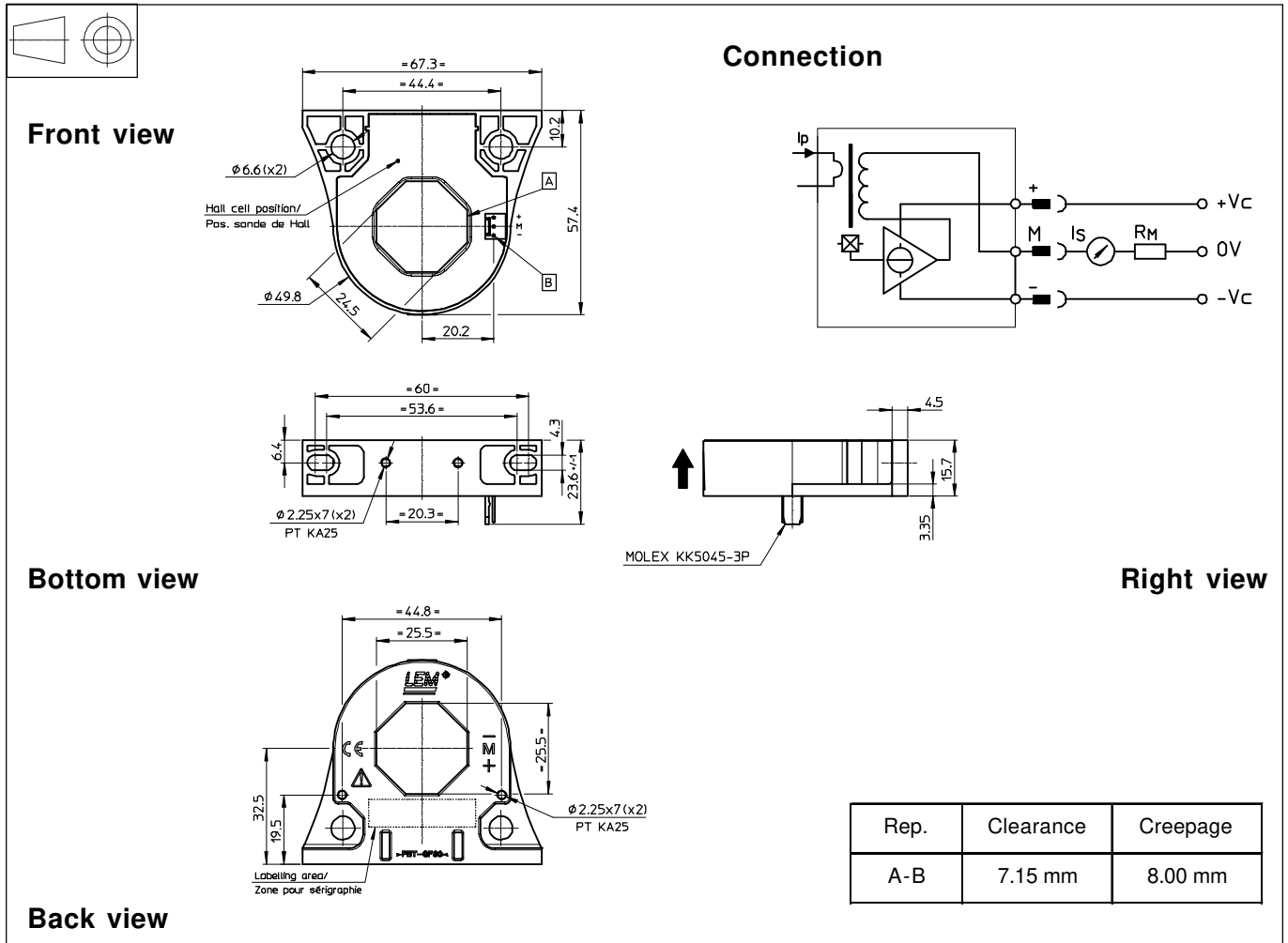
When operating the transducer, certain parts of the module can carry hazardous voltage (eg. primary busbar, power supply). Ignoring this warning can lead to injury and/or cause serious damage.

This transducer is a built-in device, whose conducting parts must be inaccessible after installation.

A protective housing or additional shield could be used.

Main supply must be able to be disconnected.

Dimensions LF 306-S (in mm. 1 mm = 0.0394 inch)



Mechanical characteristics

- General tolerance ± 0.5 mm
- Fastening transducer
 - Flat position
 - 2 holes $\varnothing 6.6$ mm
 - 2 M6 steel screws
 - Recommended fastening torque 4.2 Nm or 3.1 Lb.-Ft.
 - Or
 - 2 holes $\varnothing 2.25$ mm
 - 2 x PT KA25 screws
 - Recommended fastening torque 0.3 Nm or 0.22 Lb.-Ft.
 - Vertical position
 - 2 holes $\varnothing 4.3$ mm
 - 2 M4 steel screws
 - Recommended fastening torque 3 Nm or 2.21 Lb. - Ft.
 - Or
 - 2 holes $\varnothing 2.25$ mm
 - 2 x PT KA25 screws
 - Recommended fastening torque 0.3 Nm or 0.22 Lb.-Ft.
- Primary through-hole 25.5 x 25.5 mm
- Connection of secondary Molex 5045-03/AG

Remarks

- I_s is positive when I_p flows in the direction of the arrow.
- Temperature of the primary conductor should not exceed 100°C.
- Dynamic performances (di/dt and response time) are best with a single bar completely filling the primary hole.
- This is a standard model. For different versions (supply voltages, turns ratios, unidirectional measurements...),