



Chipsmall Limited consists of a professional team with an average of over 10 year of expertise in the distribution of electronic components. Based in Hongkong, we have already established firm and mutual-benefit business relationships with customers from,Europe,America and south Asia,supplying obsolete and hard-to-find components to meet their specific needs.

With the principle of "Quality Parts,Customers Priority,Honest Operation,and Considerate Service",our business mainly focus on the distribution of electronic components. Line cards we deal with include Microchip,ALPS,ROHM,Xilinx,Pulse,ON,Everlight and Freescale. Main products comprise IC,Modules,Potentiometer,IC Socket,Relay,Connector.Our parts cover such applications as commercial,industrial, and automotives areas.

We are looking forward to setting up business relationship with you and hope to provide you with the best service and solution. Let us make a better world for our industry!



Contact us

Tel: +86-755-8981 8866 Fax: +86-755-8427 6832

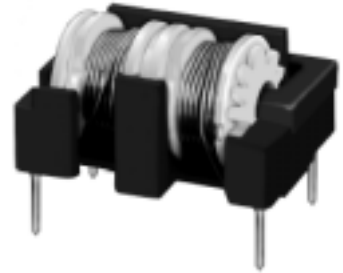
Email & Skype: info@chipsmall.com Web: www.chipsmall.com

Address: A1208, Overseas Decoration Building, #122 Zhenhua RD., Futian, Shenzhen, China

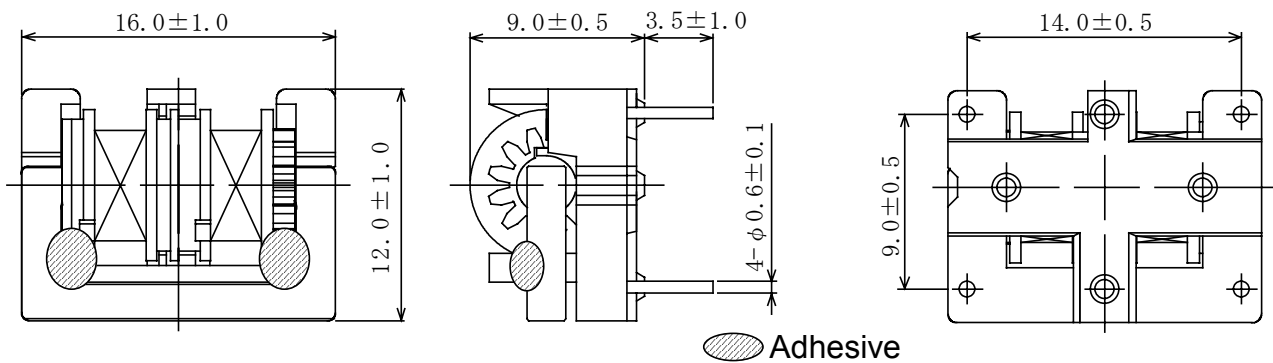


Type: LF1290
◆ Product Description

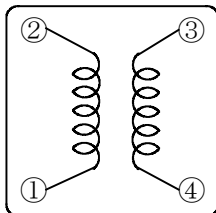
- 17.0×13.0mm Max.(L×W), 9.5mm Max. Height.
- Inductance range: 0.47mH~10mH
- Rated current range: 0.2~1.10A
- In addition to the standard versions of parameters shown here, custom design are available to meet your exact requirements.


◆ Feature

- Small size and large inductance type.
- Excellent attenuation characteristics in low frequency.
- Ideally used in noise prevention for TV,VCR,AV,OA equipment.
- RoHS Compliance

◆ Dimensions (mm)


- * Dimension does not include solder used on coil.
- * Terminal pitch is measured at the base.(not from tip of the pin)

◆ Schematics (Bottom)


- * Winding start is #1,#4 or #2,#3.
- * #1, #2 : should be same polarity.

Type: LF1290
◆ Specification

Part No.	Stamp	Inductance [MIN.](mH) (1-2)(4-3) 1kHz	Inductance Balance [MAX.] (μ H)	D.C.R. (Ω) [MAX.] (1-2)(4-3) (at 20°C)	Rated current (50/60Hz) (Arms)※1
※LF1290NP-471	471	0.47	50	0.15	1.10
※LF1290NP-681	681	0.68	50	0.25	0.85
※LF1290NP-102	102	1.0	150	0.35	0.65
LF1290NP-222	222	2.2	150	0.70	0.45
LF1290NP-392	392	3.9	200	1.20	0.36
LF1290NP-472	472	4.7	300	1.60	0.34
LF1290NP-682	682	6.8	400	2.50	0.25
LF1290NP-103	103	10.0	550	4.00	0.20

※1. Rated current: The AC current at which the temperature rise is $\Delta t=45^{\circ}\text{C}$. ($T_a=20^{\circ}\text{C}$).

※ Please give sufficient consideration to the thick wire used when producing the P.C.B.
(mounting holes ϕ 1.0mm)