



Chipsmall Limited consists of a professional team with an average of over 10 year of expertise in the distribution of electronic components. Based in Hongkong, we have already established firm and mutual-benefit business relationships with customers from,Europe,America and south Asia,supplying obsolete and hard-to-find components to meet their specific needs.

With the principle of “Quality Parts,Customers Priority,Honest Operation,and Considerate Service”,our business mainly focus on the distribution of electronic components. Line cards we deal with include Microchip,ALPS,ROHM,Xilinx,Pulse,ON,Everlight and Freescale. Main products comprise IC,Modules,Potentiometer,IC Socket,Relay,Connector.Our parts cover such applications as commercial,industrial, and automotives areas.

We are looking forward to setting up business relationship with you and hope to provide you with the best service and solution. Let us make a better world for our industry!



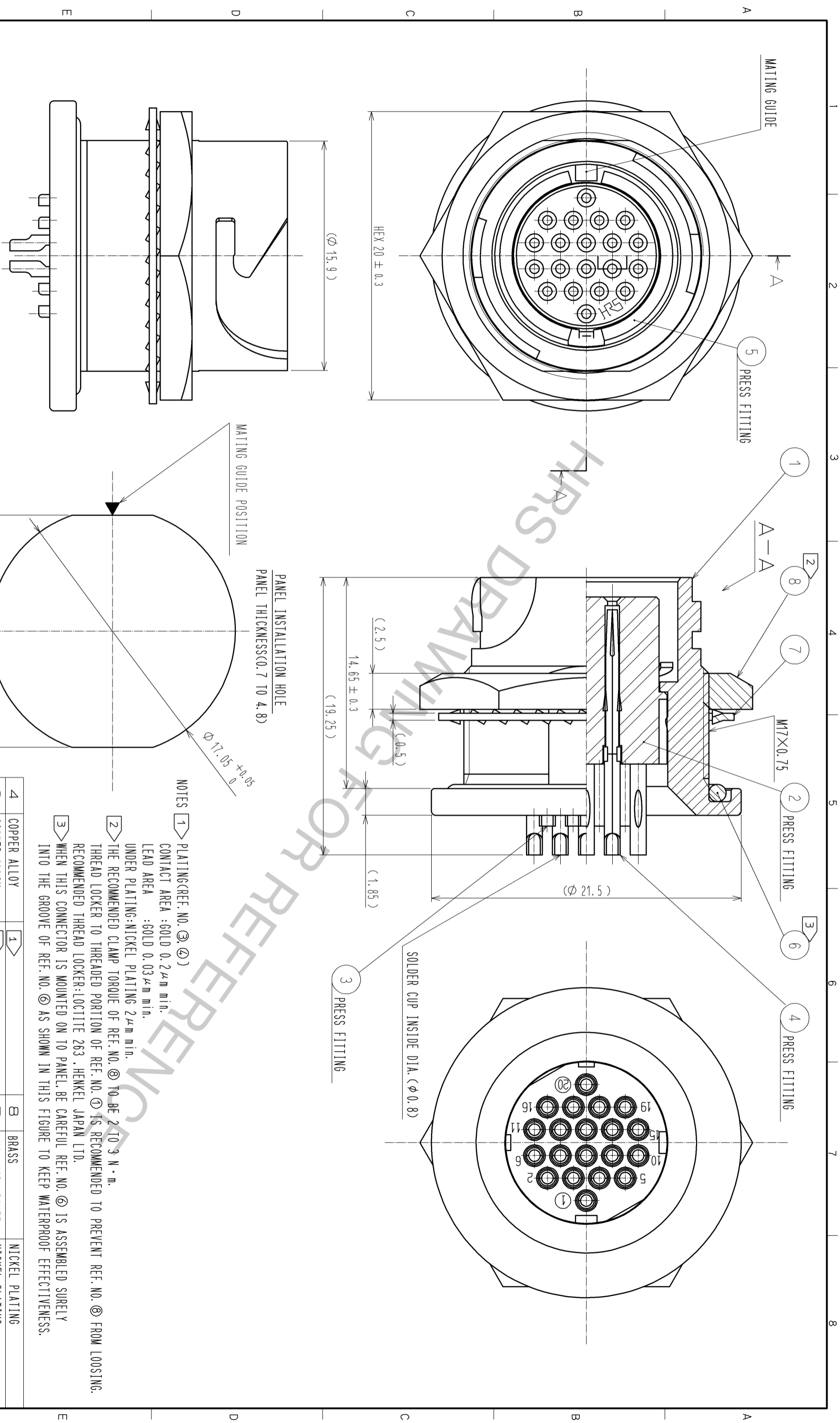
Contact us

Tel: +86-755-8981 8866 Fax: +86-755-8427 6832

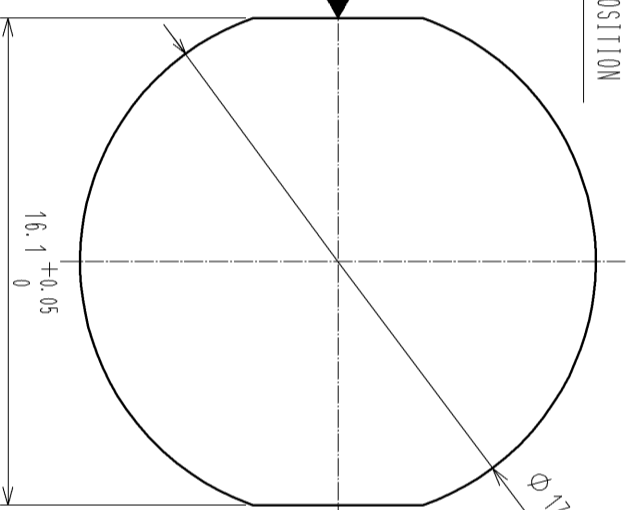
Email & Skype: info@chipsmall.com Web: www.chipsmall.com

Address: A1208, Overseas Decoration Building, #122 Zhenhua RD., Futian, Shenzhen, China





PANEL INSTALLATION HOLE
 PANEL THICKNESS(0.7 TO 4.8)



NOTES

- ① PLATING(REF. NO. ③, ④)
 CONTACT AREA : GOLD 0.2 μ m min.
 LEAD AREA : GOLD 0.03 μ m min.
 UNDER PLATING: NICKEL PLATING 2 μ m min.
- ② THE RECOMMENDED CLAMP TORQUE OF REF. NO. ⑧ TO BE 2 TO 3 N · m.
 THREAD LOCKER TO THREADED PORTION OF REF. NO. ⑧ IS RECOMMENDED TO PREVENT REF. NO. ⑧ FROM LOOSING.
 RECOMMENDED THREAD LOCKER: LOCTITE 203, HENKEL JAPAN LTD.
- ③ WHEN THIS CONNECTOR IS MOUNTED ON TO PANEL, BE CAREFUL REF. NO. ⑧ IS ASSEMBLED SURELY INTO THE GROOVE OF REF. NO. ⑧ AS SHOWN IN THIS FIGURE TO KEEP WATERPROOF EFFECTIVENESS.

NO.	MATERIAL	FINISH	REMARKS	NO.	MATERIAL	FINISH	REMARKS
4	COPPER ALLOY	①		8	BRASS		NICKEL PLATING
3	COPPER ALLOY	①		7	PHOSPHOR BRONZE		NICKEL PLATING
2	POLYPHENYLENE SULFIDE (BLACK)	UL94V-0		6	CHLOROPRENE RUBBER (BLACK)		
1	ZINC ALLOY	NICKEL PLATING		5	PHOSPHOR BRONZE		NICKEL PLATING

UNITS	SCALE	COUNT	DESCRIPTION OF REVISIONS	DESIGNED	CHECKED	DATE
mm	4 : 1					

<p>HIROSE ELECTRIC CO., LTD.</p>	Approved : SU. OBARA Checked : TP. KOMATSU Designed : WR. AJIRO Drawn : WR. AJIRO	12.06.27 12.06.27 12.06.27 12.06.27	DRAWING NO. PART NO. CODE NO.	EDC3-117933-00 LF13WBRB-20S CL136-1018-0-00
----------------------------------	--	--	-------------------------------------	---