



Chipsmall Limited consists of a professional team with an average of over 10 year of expertise in the distribution of electronic components. Based in Hongkong, we have already established firm and mutual-benefit business relationships with customers from,Europe,America and south Asia,supplying obsolete and hard-to-find components to meet their specific needs.

With the principle of "Quality Parts,Customers Priority,Honest Operation,and Considerate Service",our business mainly focus on the distribution of electronic components. Line cards we deal with include Microchip,ALPS,ROHM,Xilinx,Pulse,ON,Everlight and Freescale. Main products comprise IC,Modules,Potentiometer,IC Socket,Relay,Connector.Our parts cover such applications as commercial,industrial, and automotives areas.

We are looking forward to setting up business relationship with you and hope to provide you with the best service and solution. Let us make a better world for our industry!



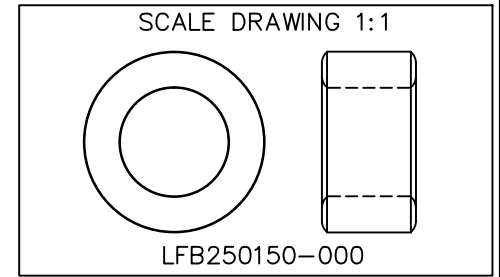
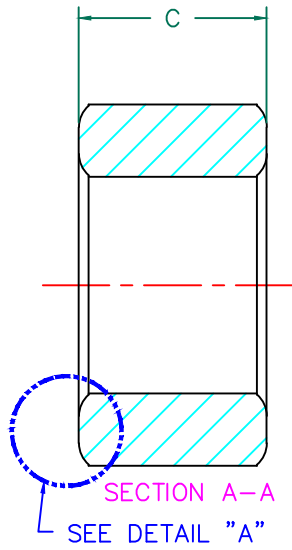
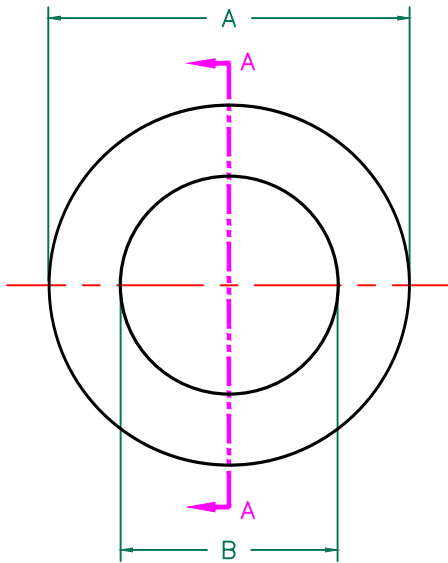
Contact us

Tel: +86-755-8981 8866 Fax: +86-755-8427 6832

Email & Skype: info@chipsmall.com Web: www.chipsmall.com

Address: A1208, Overseas Decoration Building, #122 Zhenhua RD., Futian, Shenzhen, China

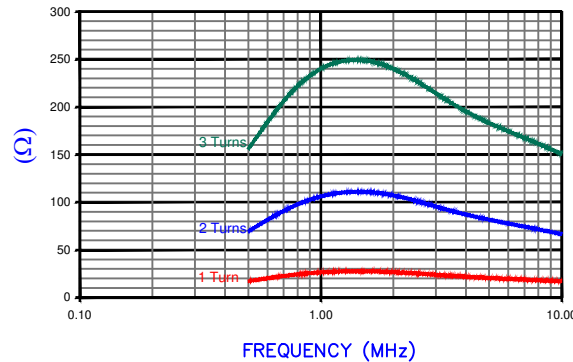




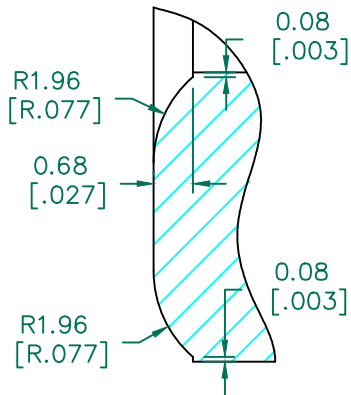
IMPEDANCE (Z) NET^{SEE NOTE 1}

FREQUENCY	500 KHz	1 MHz	5 MHz
NOMINAL (REF.) 1 TURN	16 Ω	34 Ω	26 Ω
MINIMUM (SPEC.) 1 TURN	- Ω	25 Ω	- Ω
NOMINAL (REF.) 2 TURNS	70 Ω	105 Ω	80 Ω
NOMINAL (REF.) 3 TURNS	155 Ω	240 Ω	180 Ω

Z vs. FREQUENCY
1 TURN, 2, AND 3 TURNS
(REF. ONLY)



HP 4396A Impedance Analyzer
HP 16092A Test Fixture REF 2497



DETAIL "A"
CHAMFER
SCALE=8:1

TEST CRITERIA

METER HP4396A OR EQUIVALENT
FIXTURE HP16092A OR EQUIVALENT

NOTES:

- NET IMPEDANCE IS IMPEDANCE OF THE FERRITE CORE ONLY. ALL IMPEDANCE CONTRIBUTION FROM TEST WIRE AND FIXTURES HAS BEEN REMOVED.
- COSMETIC SPECIFICATION REFER TO WI-QA-038.

FERRITE CORE DIMENSIONS (SPEC):

A	25.00 [.984]	±	0.55 [.022]
B	15.00 [.591]	±	0.55 [.022]
C	13.00 [.512]	±	0.40 [.016]

WEIGHT/1000 19.11 kgs [42.13 Lbs]

DIMENSIONS ARE IN mm [INCHES].				This print is the property of Laird Tech. and is loaned in confidence subject to return upon request and with the understanding that no copies shall be made without the written consent of Laird Tech. All rights to design or invention are reserved.		Laird	
				PROJECT/PART NUMBER:	LFB250150-000	REV	D
D	UPDATE TOLERANCE AND DETAIL A	07/06/17	QIU	PART TYPE:	FERRITE CORE	DRAWN BY:	TMB
C	REMOVE MIN SPEC @ 500 KHz	02/10/06	JRK	DATE:	09/30/02	SCALE:	2:1
B	ADJUST TOLERANCES ADD TEST REF #	12/28/04	JRK	CAD #	LF250150-000-D	MATERIAL:	LF
A	ORIGINAL DRAFT	09/30/02	TMB	TOOL #	B0984		
REV	DESCRIPTION	DATE	INT				