



Chipsmall Limited consists of a professional team with an average of over 10 year of expertise in the distribution of electronic components. Based in Hongkong, we have already established firm and mutual-benefit business relationships with customers from,Europe,America and south Asia,supplying obsolete and hard-to-find components to meet their specific needs.

With the principle of “Quality Parts,Customers Priority,Honest Operation,and Considerate Service”,our business mainly focus on the distribution of electronic components. Line cards we deal with include Microchip,ALPS,ROHM,Xilinx,Pulse,ON,Everlight and Freescale. Main products comprise IC,Modules,Potentiometer,IC Socket,Relay,Connector.Our parts cover such applications as commercial,industrial, and automotives areas.

We are looking forward to setting up business relationship with you and hope to provide you with the best service and solution. Let us make a better world for our industry!



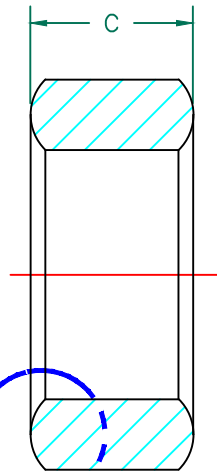
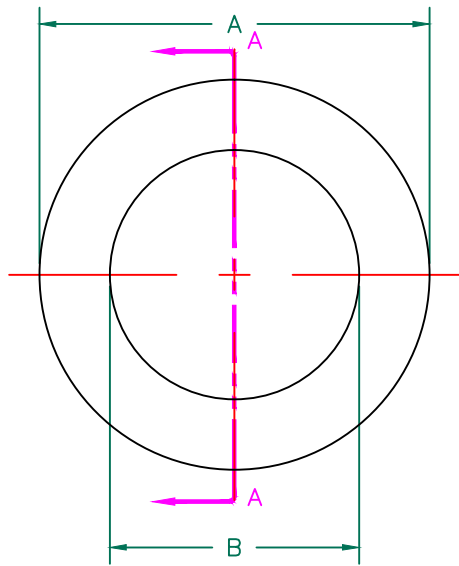
Contact us

Tel: +86-755-8981 8866 Fax: +86-755-8427 6832

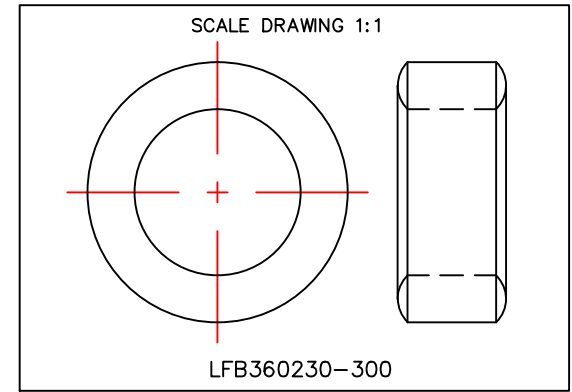
Email & Skype: info@chipsmall.com Web: www.chipsmall.com

Address: A1208, Overseas Decoration Building, #122 Zhenhua RD., Futian, Shenzhen, China





SECTION A-A
SEE DETAIL "A"

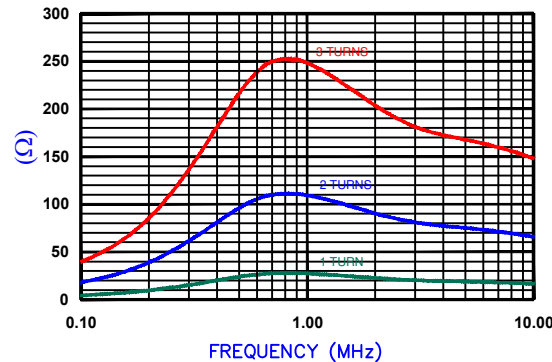


RoHS

IMPEDANCE (Z) NET SEE NOTE 1

FREQUENCY	500 KHz	1 MHz	5 MHz
NOMINAL (REF.) 1 TURN	24 Ω	27 Ω	19 Ω
MINIMUM (SPEC.) 1 TURN	- Ω	22 Ω	- Ω
NOMINAL (REF.) 2 TURNS	96 Ω	110 Ω	75 Ω
NOMINAL (REF.) 3 TURNS	217 Ω	247 Ω	168 Ω

Z vs. FREQUENCY
1 TURN, 2, AND 3 TURNS
(REF. ONLY)



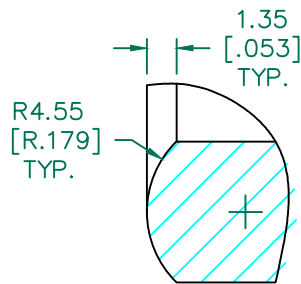
HP 4396A RF Impedance/Material Analyzer
HP 16092A Test Fixture, REF #3978

TEST CRITERIA

METER HP4396A OR EQUIVALENT
FIXTURE HP16092A OR EQUIVALENT

NOTES:

- NET IMPEDANCE IS IMPEDANCE OF THE FERRITE CORE ONLY. ALL IMPEDANCE CONTRIBUTION FROM TEST WIRE AND FIXTURES HAS BEEN REMOVED.
- COSMETIC SPECIFICATION REFER TO WI-QA-038.



DETAIL "A"
RADIUS
SCALE=3:1

FERRITE CORE DIMENSIONS (SPEC): mm [in]

A	36.00 [1.417]	±	0.70 [.028]
B	23.00 [.905]	±	0.70 [.028]
C	15.00 [.591]	±	0.40 [.016]

WEIGHT/1000 43.63 kgs 96.20 lbs

DIMENSIONS ARE IN mm [INCHES].				This print is the property of Laird Tech. and is loaned in confidence subject to return upon request and with the understanding that no copies shall be made without the written consent of Laird Tech. All rights to design or invention are reserved.		Laird	
E	UPDATE TOLERANCE AND DETAIL A	06/12/17	QIU	PROJECT/PART NUMBER:	LFB360230-300		
D	UPDATE COMPANY LOGO	07/13/08	TMB	REV	E	PART TYPE:	FERRITE CORE
C	REM MIN SPEC @500KHz& 5MHz	02/13/06	JRK	DRAWN BY:	TMB		
B	UPDATE METRIC DIMENSIONS	04/06/04	TMB	DATE:	03/30/04	SCALE:	1.5:1
A	ORIGINAL DRAFT	03/30/04	TMB	MATERIAL:	LF		
REV	DESCRIPTION	DATE	INT	CAD #	LFB360230-300-E	TOOL #	-