



Chipsmall Limited consists of a professional team with an average of over 10 year of expertise in the distribution of electronic components. Based in Hongkong, we have already established firm and mutual-benefit business relationships with customers from,Europe,America and south Asia,supplying obsolete and hard-to-find components to meet their specific needs.

With the principle of “Quality Parts,Customers Priority,Honest Operation,and Considerate Service”,our business mainly focus on the distribution of electronic components. Line cards we deal with include Microchip,ALPS,ROHM,Xilinx,Pulse,ON,Everlight and Freescale. Main products comprise IC,Modules,Potentiometer,IC Socket,Relay,Connector.Our parts cover such applications as commercial,industrial, and automotives areas.

We are looking forward to setting up business relationship with you and hope to provide you with the best service and solution. Let us make a better world for our industry!



## Contact us

Tel: +86-755-8981 8866 Fax: +86-755-8427 6832

Email & Skype: info@chipsmall.com Web: www.chipsmall.com


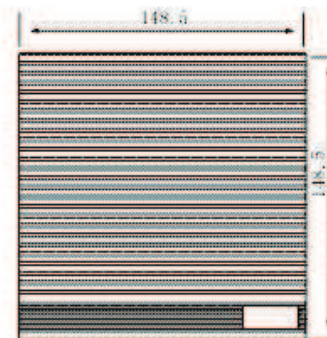

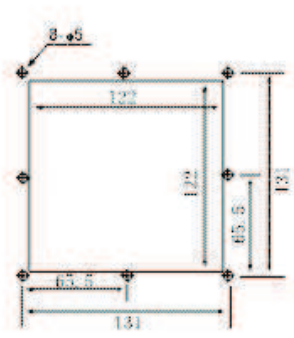

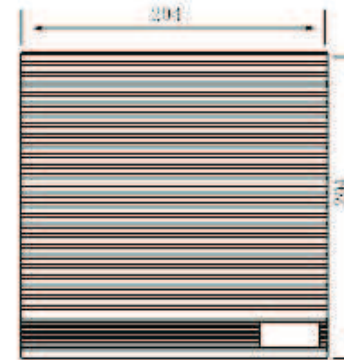

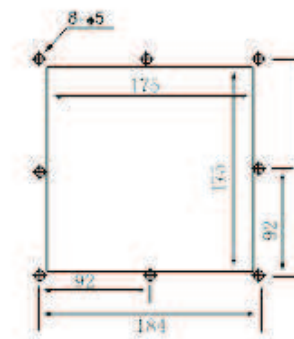
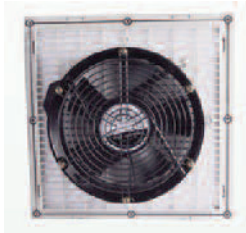


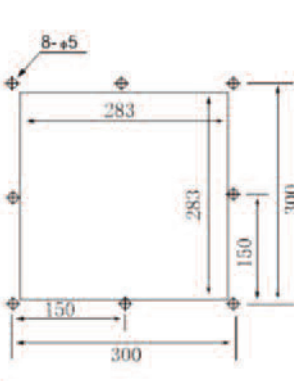
Address: A1208, Overseas Decoration Building, #122 Zhenhua RD., Futian, Shenzhen, China



# Louvered Fan Guards



Filter Kits for 120mm (4.7"),  
172mm (6.7") & 254mm (10") Fans

<p><b>LFG120B</b> Filter kit for 120mm fan</p> 	 <p>148.5 118.5</p>	 <p>33 13.5</p>	 <p>8-<math>\phi</math>5 122 122 65.5 131 131</p>
<p><b>LFG172B</b> Filter kit for 172mm fan</p> 	 <p>204 204</p>	 <p>33 13.5</p>	 <p>8-<math>\phi</math>5 175 175 92 184 81</p>
<p><b>LFG254B</b> Filter kit for 254mm fan</p> 	 <p>320 320</p>	 <p>33 13.5</p>	 <p>8-<math>\phi</math>5 283 283 150 300 300</p>

Part Number	LFG120B	LFG172B	LFG254B	Filter Media 5-Packs	
Frame Description	ABS Resin - flame resistant UL94V-0, with UV protection. Vents with screens at 45-degree angle. Includes high foam sealing edge - protection grade IP44-IP54.			Part Number	Description
Filter Mesh Material	Nylon Fiber - Synthetic Resin, filters to 8 microns.			LFG120BF/PK	For LFG120B
Color	Black is standard. Gray (RAL7035) is available on request. To specify gray remove "B" from part number. Minimums may apply.			LFG172BF/PK	For LFG172B
Hardware	1 bag - 8 ea. M4x10, washer, lock washer			LFG254BF/PK	For LFG254B