



Chipsmall Limited consists of a professional team with an average of over 10 year of expertise in the distribution of electronic components. Based in Hongkong, we have already established firm and mutual-benefit business relationships with customers from,Europe,America and south Asia,supplying obsolete and hard-to-find components to meet their specific needs.

With the principle of “Quality Parts,Customers Priority,Honest Operation,and Considerate Service”,our business mainly focus on the distribution of electronic components. Line cards we deal with include Microchip,ALPS,ROHM,Xilinx,Pulse,ON,Everlight and Freescale. Main products comprise IC,Modules,Potentiometer,IC Socket,Relay,Connector.Our parts cover such applications as commercial,industrial, and automotives areas.

We are looking forward to setting up business relationship with you and hope to provide you with the best service and solution. Let us make a better world for our industry!



## Contact us

Tel: +86-755-8981 8866 Fax: +86-755-8427 6832

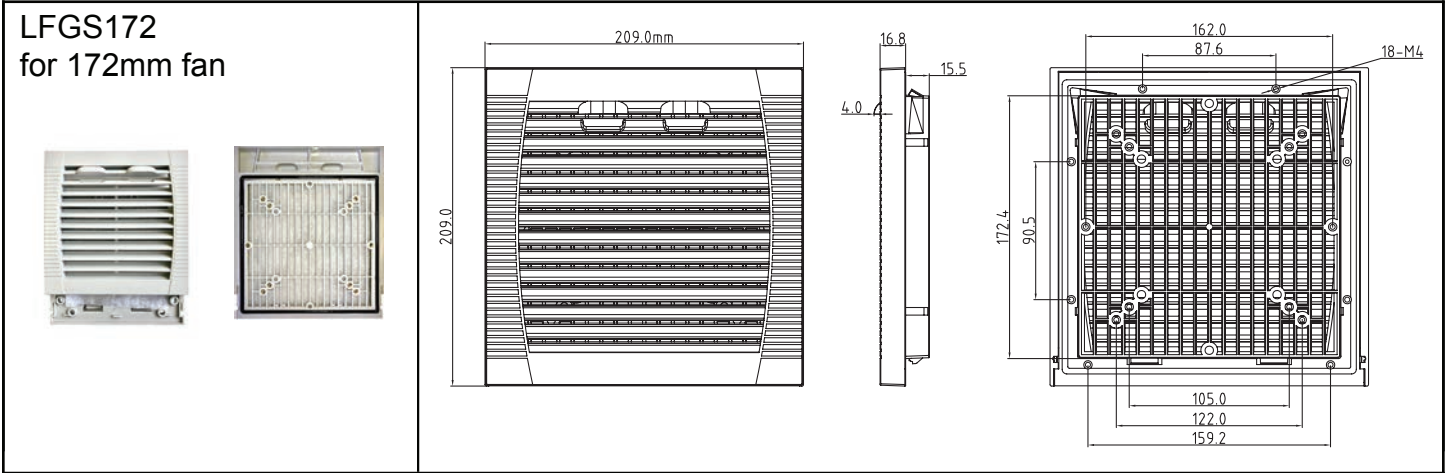
Email & Skype: info@chipsmall.com Web: www.chipsmall.com

Address: A1208, Overseas Decoration Building, #122 Zhenhua RD., Futian, Shenzhen, China



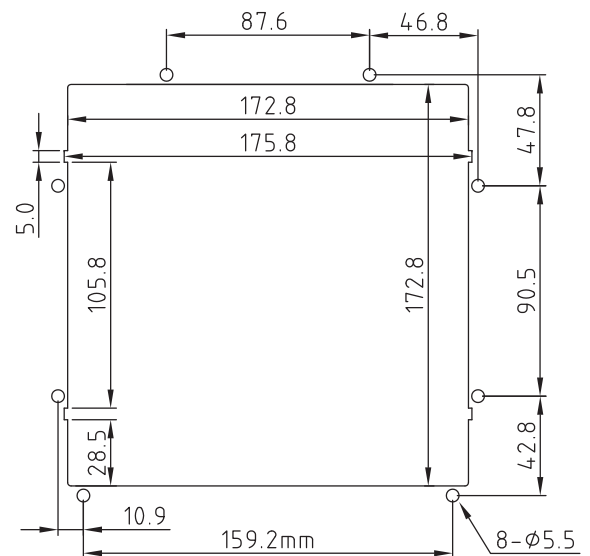
# Louvered Fan Guards (slide type)

Easy Access to Media



<b>Part Number</b>	LFGS172
<b>Frame Description</b>	ABS Resin - flame resistant UL94V-0, with UV protection. Vents with screens at 45-degree angle. Includes high foam sealing edge - protection grade IP44-IP54. Snap-fit or screw mount.
<b>Filter Mesh Material</b>	Nylon Fiber - Synthetic Resin, filters to 8 microns.
<b>Color</b>	Gray is standard. Black is available upon request. Minimums may apply.
<b>Matching Series</b>	OA109, OA125, OA162, OA172, OA4715, OA5920, OD1225, OD1232, OD1238, OD172
<b>Hardware</b>	1 bag - 8 ea. M4x8, washer, lock washer 1 bag - 4 ea. M4x12, nut, star washer

Filter Media 5-Packs	
Part Number	Description
LFG172BF/PK	For LFGS172



**PANEL CUTOUT**