



Chipsmall Limited consists of a professional team with an average of over 10 year of expertise in the distribution of electronic components. Based in Hongkong, we have already established firm and mutual-benefit business relationships with customers from,Europe,America and south Asia,supplying obsolete and hard-to-find components to meet their specific needs.

With the principle of “Quality Parts,Customers Priority,Honest Operation,and Considerate Service”,our business mainly focus on the distribution of electronic components. Line cards we deal with include Microchip,ALPS,ROHM,Xilinx,Pulse,ON,Everlight and Freescale. Main products comprise IC,Modules,Potentiometer,IC Socket,Relay,Connector.Our parts cover such applications as commercial,industrial, and automotives areas.

We are looking forward to setting up business relationship with you and hope to provide you with the best service and solution. Let us make a better world for our industry!



Contact us

Tel: +86-755-8981 8866 Fax: +86-755-8427 6832

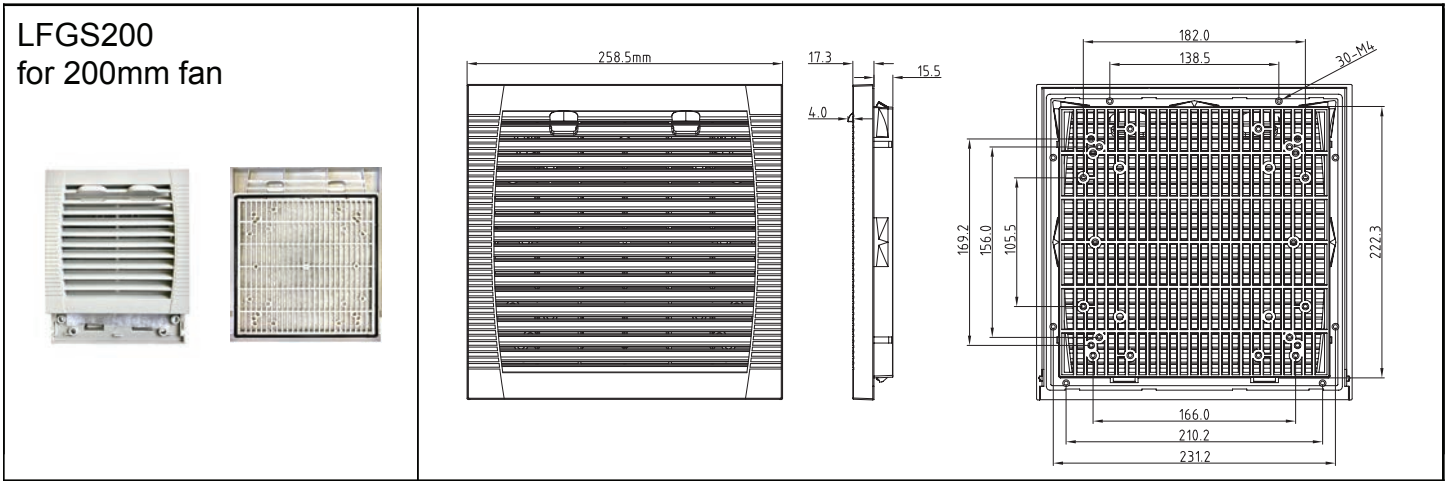
Email & Skype: info@chipsmall.com Web: www.chipsmall.com

Address: A1208, Overseas Decoration Building, #122 Zhenhua RD., Futian, Shenzhen, China

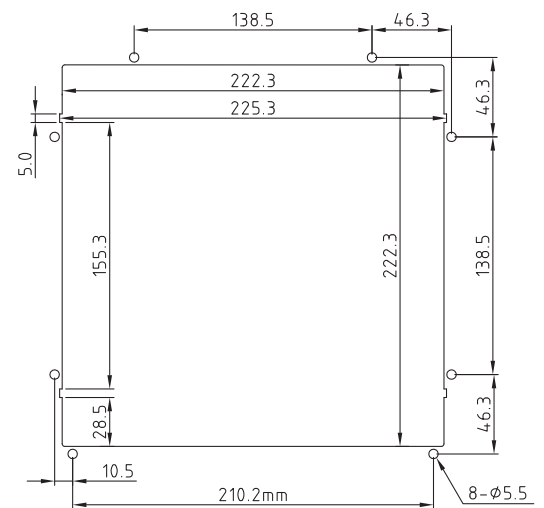


Louvered Fan Guards (slide type)

Easy Access to Media



Part Number	LFGS200
Frame Description	ABS Resin - flame resistant UL94V-0, with UV protection. Vents with screens at 45-degree angle. Includes high foam sealing edge - protection grade IP44-IP54. Snap-fit or screw mount.
Filter Mesh Material	Nylon Fiber - Synthetic Resin, filters to 8 microns.
Color	Gray is standard. Black is available upon request. Minimums may apply.
Matching Series	OA200AN, OD172, OA162, OA172S, OA5920, OA225, OA180, OD180
Hardware	1 bag - 8 ea. M4x8, washer, lock washer 1 bag - 4 ea. M4x12, nut, star washer



PANEL CUTOUT