



Chipsmall Limited consists of a professional team with an average of over 10 year of expertise in the distribution of electronic components. Based in Hongkong, we have already established firm and mutual-benefit business relationships with customers from,Europe,America and south Asia,supplying obsolete and hard-to-find components to meet their specific needs.

With the principle of "Quality Parts,Customers Priority,Honest Operation,and Considerate Service",our business mainly focus on the distribution of electronic components. Line cards we deal with include Microchip,ALPS,ROHM,Xilinx,Pulse,ON,Everlight and Freescale. Main products comprise IC,Modules,Potentiometer,IC Socket,Relay,Connector.Our parts cover such applications as commercial,industrial, and automotives areas.

We are looking forward to setting up business relationship with you and hope to provide you with the best service and solution. Let us make a better world for our industry!



Contact us

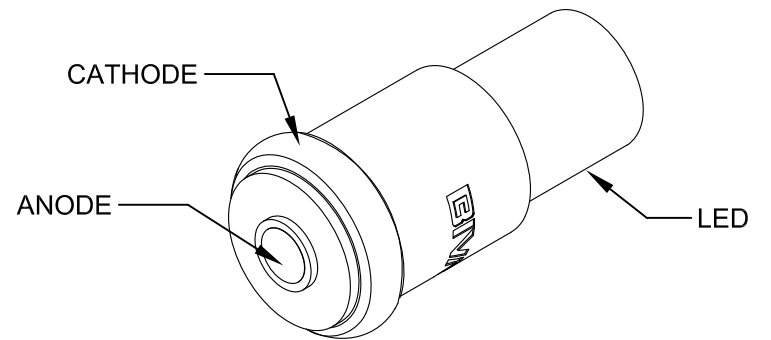
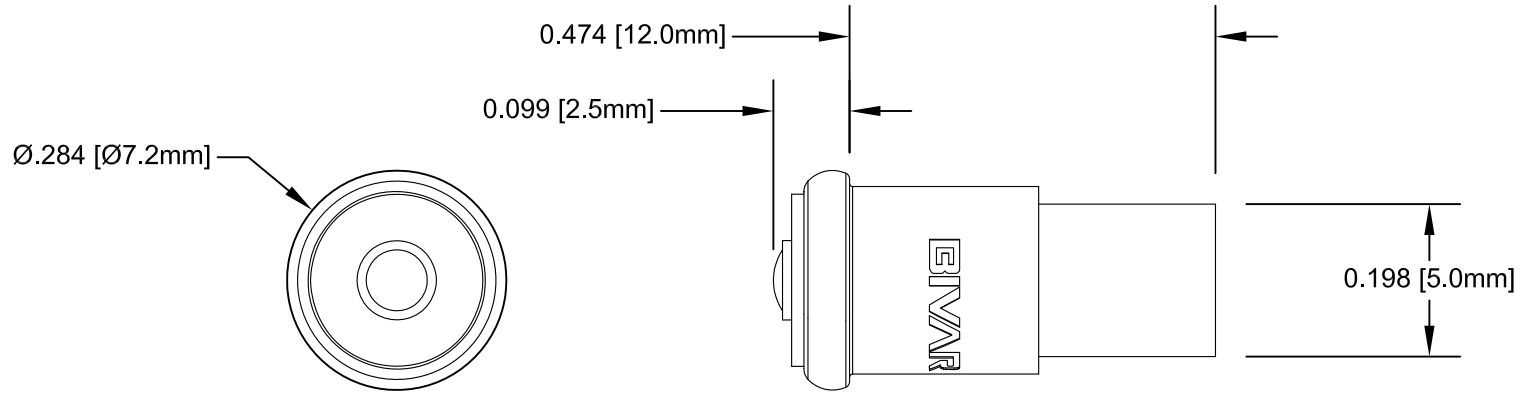
Tel: +86-755-8981 8866 Fax: +86-755-8427 6832

Email & Skype: info@chipsmall.com Web: www.chipsmall.com

Address: A1208, Overseas Decoration Building, #122 Zhenhua RD., Futian, Shenzhen, China




REV.	DESCRIPTION	DATE	APPROVED
A	Engineering Release	10/21/13	G. W.



NOTES:

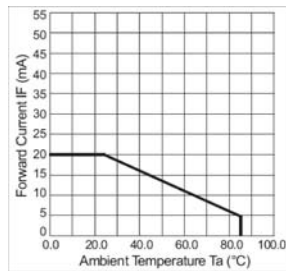
2. DIRECT REPLACEMENT FOR T1 $\frac{3}{4}$ MIDGET FLANGE SX6s BASED LAMPS
1. CENTER CONTACT ANODE

STANDARD TOLERANCE (UNLESS OTHERWISE SPECIFIED)		 4 THOMAS, IRVINE, CA. 92618
DECIMALS	ANGULAR	
.X $\pm .1$	X° $\pm 1^\circ$	TITLE: 206 SERIES INCANDESCENT REPLACEMENT LED PART NO: LFR-206X-XXX CAGE CODE : 32559 SHEET # 1 OF 2
.XX $\pm .02$		
.XXX $\pm .010$		
DESIGNED: Alex Wright	DATE: 10/21/13	REVISION: A
CHECKED: Minh Doan	DATE: 10/21/13	CAD GENERATED DOCUMENT, DO NOT MEASURE DRAWING.

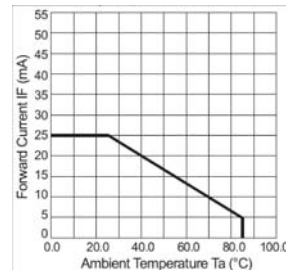
REV.	DESCRIPTION	DATE	APPROVED
	SEE SHEET #1		

DERATING CURVES

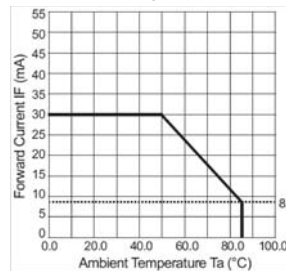
Derating Graph 1



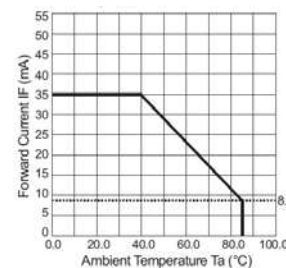
Derating Graph 2



Derating Graph 3




Derating Graph 4



Bivar Part Number	Wave Length λp(nm)	Emitted Color	Lens Appearance	Operating Voltage	Electro-Optical Data		Viewing Angle	De-rating Graphs
				Vopr (Vdc)	Current DC (mA)	Iv (mcd)		
				TYP	TYP	TYP		
LFR-206R12V	630	RED	CLEAR	12	10	600	120	1
LFR-206R28V	630	RED	CLEAR	28	8	600	120	1
LFR-206Y12V	585	YELLOW	CLEAR	12	10	600	120	1
LFR-206Y28V	585	YELLOW	CLEAR	28	8	600	120	1
LFR-206G12V	515	GREEN	CLEAR	12	10	800	120	2
LFR-206G28V	515	GREEN	CLEAR	28	8	800	120	2
LFR-206B12V	465	BLUE	CLEAR	12	10	230	120	4
LFR-206B28V	465	BLUE	CLEAR	28	8	230	120	4
Bivar Part Number	Chromaticity Coordinates	Emitted Color	Lens Appearance	Operating Voltage	Electro-Optical Data		Viewing Angle	De-rating Graphs
				Vopr (Vdc)	Current DC (mA)	Iv (mcd)		
				TYP	TYP	TYP		
LFR-206WW12V	X=0.4255~0.4680 Y=0.4000~0.4385	WARM WHITE	CLEAR	12	10	850	120	3
LFR-206WW28V	X=0.4255~0.4680 Y=0.4000~0.4385	WARM WHITE	CLEAR	28	8	850	120	3
LFR-206CW12V	X=0.31 Y=0.32	COOL WHITE	CLEAR	12	10	1100	120	3
LFR-206CW28V	X=0.31 Y=0.32	COOL WHITE	CLEAR	28	8	1100	120	3

ABSOLUTE MAXIMUM RATINGS (Ta = 25°C)

MAXIMUM POWER DISSIPATION _____ 500 mW
 OPERATING TEMPERATURE RANGE _____ -40°C ~ 85°C
 STORAGE TEMPERATURE _____ -40°C ~ 100°C

STANDARD TOLERANCE (UNLESS OTHERWISE SPECIFIED)		 BIVAR [®] 4 THOMAS, IRVINE, CA. 92618 TEL: (949) 951-8808 FAX: (949) 951-3974	
DECIMALS ANGULAR			
DESIGNED: Alex Wright	DATE: 10/21/13	TITLE: 206 SERIES INCANDESCENT REPLACEMENT LED	
CHECKED: Minh Doan	DATE: 10/21/13	PART NO: LFR-206X-XXX	REVISION: A
		CAGE CODE : 32559	SHEET # 2 OF 2
CAD GENERATED DOCUMENT, DO NOT MEASURE DRAWING.			