



Chipsmall Limited consists of a professional team with an average of over 10 year of expertise in the distribution of electronic components. Based in Hongkong, we have already established firm and mutual-benefit business relationships with customers from,Europe,America and south Asia,supplying obsolete and hard-to-find components to meet their specific needs.

With the principle of "Quality Parts,Customers Priority,Honest Operation,and Considerate Service",our business mainly focus on the distribution of electronic components. Line cards we deal with include Microchip,ALPS,ROHM,Xilinx,Pulse,ON,Everlight and Freescale. Main products comprise IC,Modules,Potentiometer,IC Socket,Relay,Connector.Our parts cover such applications as commercial,industrial, and automotives areas.

We are looking forward to setting up business relationship with you and hope to provide you with the best service and solution. Let us make a better world for our industry!



Contact us

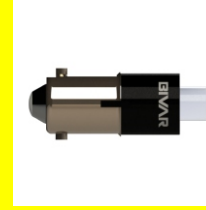
Tel: +86-755-8981 8866 Fax: +86-755-8427 6832

Email & Skype: info@chipsmall.com Web: www.chipsmall.com

Address: A1208, Overseas Decoration Building, #122 Zhenhua RD., Futian, Shenzhen, China



LFR 215 SERIES LED Replacement Lamps



FEATURES AND BENEFITS

- Direct replacement for T3 1/4 BA9s based lamps.
- Wide viewing angle of 120° provides even illumination.
- High reliability with 100K hours MTBF.
- Illuminated colors available in red, yellow, blue, green, warm white and cool white.
- Wide input range (110VAC - 230VAC).

APPLICATIONS

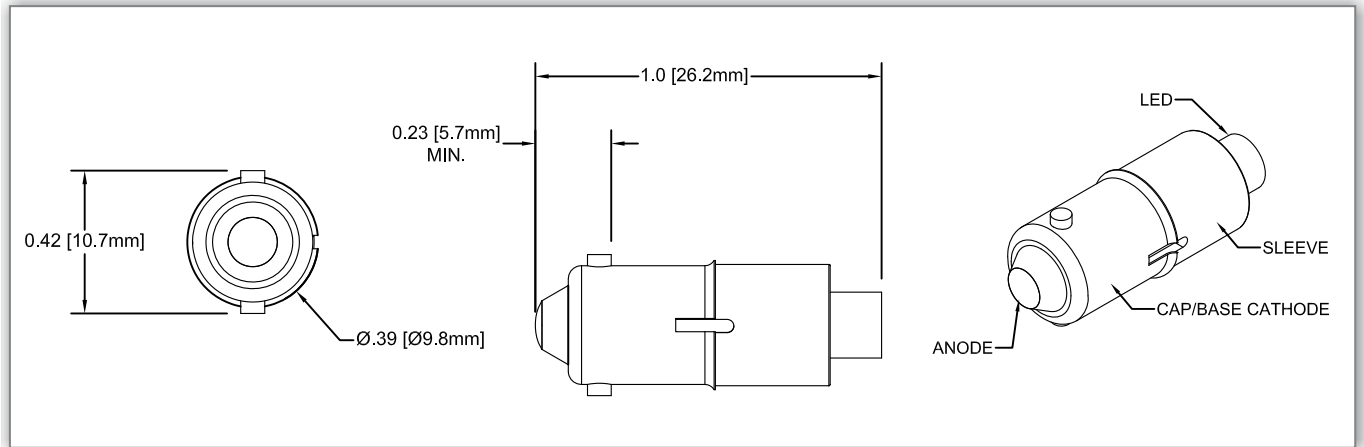
- General purpose indicators
- Push button switches
- Pilot lights
- Selector switches
- Panel indicators

Part Number	Wave Length	Emitted Color	Lens Appearance	Operating Voltage	Current AC	Iv	Viewing Angle
LFR-215R230VAC	660 nm	Red	Water Clear	230 VAC	2.0 mA	25 mcd	120°
LFR-215R125VAC	660 nm	Red	Water Clear	125 VAC	3.0 mA	25 mcd	120°
LFR-215Y230VAC	595 nm	Yellow	Water Clear	230 VAC	2.0 mA	60 mcd	120°
LFR-215Y130VAC	595 nm	Yellow	Water Clear	130 VAC	6.3 mA	60 mcd	120°
LFR-215B110VAC	470 nm	Blue	Water Clear	110 VAC	3.5 mA	150 mcd	120°
LFR-215G230VAC	525 nm	Green	Water Clear	230 VAC	2.0 mA	50 mcd	120°
LFR-215G125VAC	525 nm	Green	Water Clear	125 VAC	3.0 mA	50 mcd	120°
Part Number	Chromaticity Coordinates	Emitted Color	Lens Appearance	Operating Voltage	Current AC	Iv	Viewing Angle
LFR-215WW230VAC	X=0.4255~0.4680 Y=0.4000~0.4385	Warm White	Water Clear	230 VAC	2.0 mA	340 mcd	120°
LFR-215WW130VAC	X=0.4255~0.4680 Y=0.4000~0.4385	Warm White	Water Clear	130 VAC	3.0 mA	340 mcd	120°
LFR-215CW230VAC	X=0.3028~0.3376 Y=0.3113~0.3616	Cool White	Water Clear	230 VAC	2.0 mA	440 mcd	120°
LFR-215CW125VAC	X=0.3028~0.3376 Y=0.3113~0.3616	Cool White	Water Clear	125 VAC	3.0 mA	440 mcd	120°

ORDERING INFORMATION

Product Group	Series	Emitted Color	Operating Voltage	Example
LFR	2XX	Red, Yellow, Green, Blue, Warm White, Cool White	110VAC - 230VAC	LFR-215R230VAC

SPECIFICATIONS



DERATING CURVES

