



Chipsmall Limited consists of a professional team with an average of over 10 year of expertise in the distribution of electronic components. Based in Hongkong, we have already established firm and mutual-benefit business relationships with customers from,Europe,America and south Asia,supplying obsolete and hard-to-find components to meet their specific needs.

With the principle of “Quality Parts,Customers Priority,Honest Operation,and Considerate Service”,our business mainly focus on the distribution of electronic components. Line cards we deal with include Microchip,ALPS,ROHM,Xilinx,Pulse,ON,Everlight and Freescale. Main products comprise IC,Modules,Potentiometer,IC Socket,Relay,Connector.Our parts cover such applications as commercial,industrial, and automotives areas.

We are looking forward to setting up business relationship with you and hope to provide you with the best service and solution. Let us make a better world for our industry!



Contact us

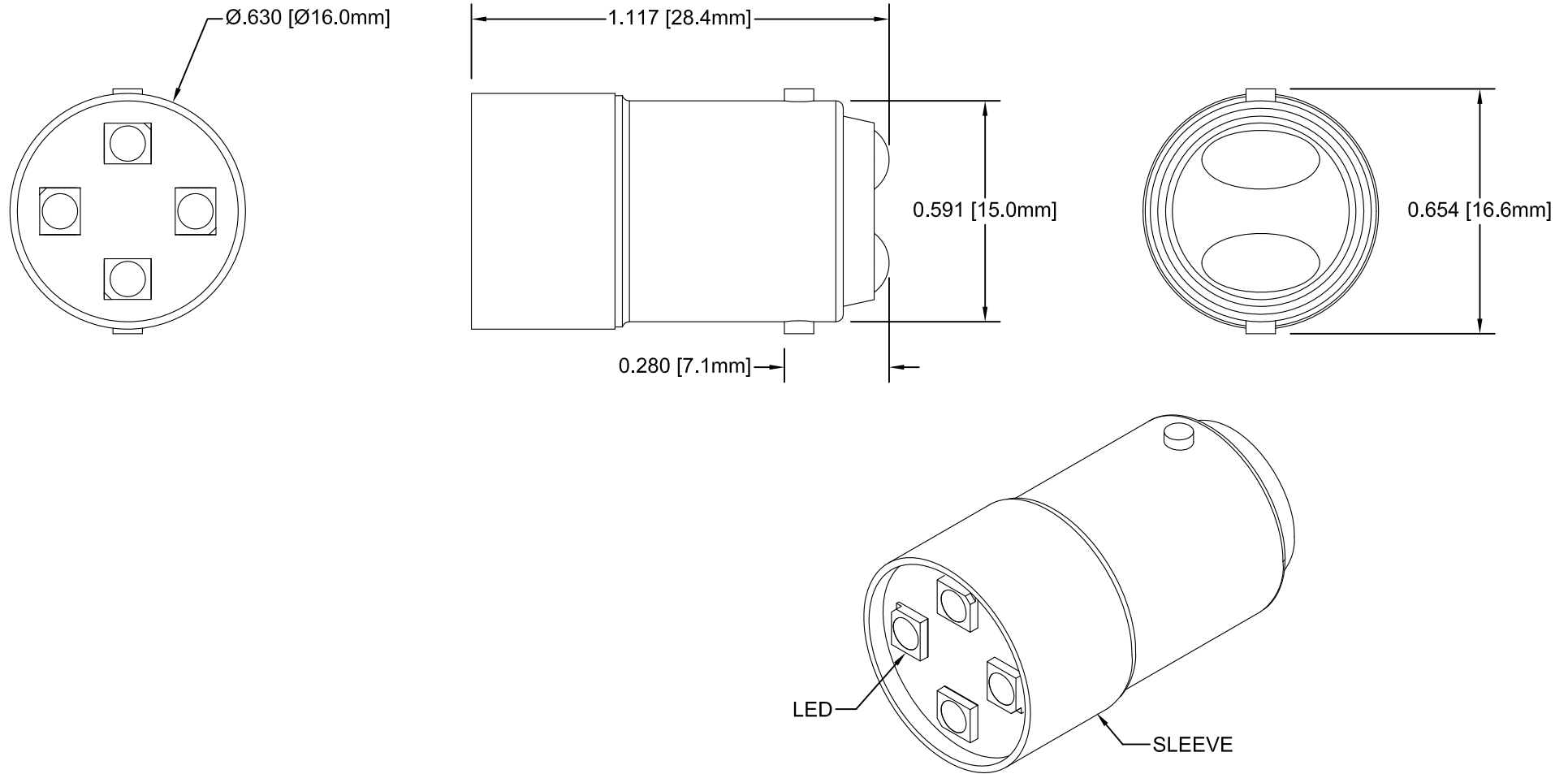
Tel: +86-755-8981 8866 Fax: +86-755-8427 6832

Email & Skype: info@chipsmall.com Web: www.chipsmall.com


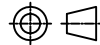
Address: A1208, Overseas Decoration Building, #122 Zhenhua RD., Futian, Shenzhen, China



REV.	DESCRIPTION	DATE	APPROVED
A	Engineering Release	10/22/13	G. W.

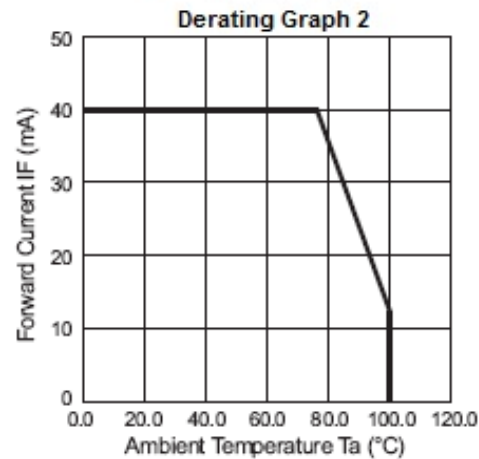
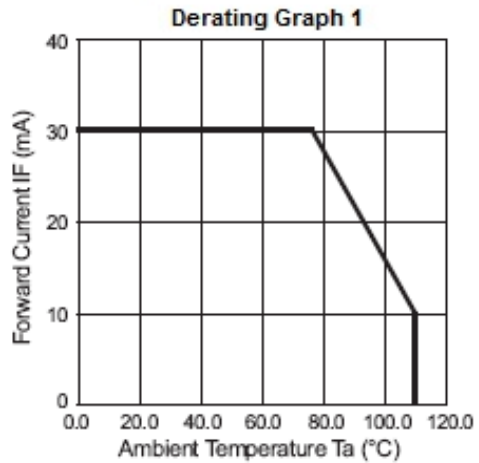


NOTES:
 2. DIRECT REPLACEMENT FOR BA15d BASED LAMPS
 1. VOLTAGE OPERATING RANGE, 8-48VAC/DC

STANDARD TOLERANCE (UNLESS OTHERWISE SPECIFIED)		 4 THOMAS, IRVINE, CA. 92618 TEL: (949) 951-8808 FAX: (949) 951-3974	
DECIMALS	ANGULAR		
.X ±.1	X° ± 1°		TITLE: 240 SERIES INCANDESCENT REPLACEMENT LEDS
.XX ±.02			PART NO: LFR-240X-XXX
.XXX ±.010			REVISION: A
DESIGNED: Minh Doan	DATE: 10/22/13	CAGE CODE : 32559	SHEET # 1 OF 2
CHECKED: Alex Wright	DATE: 10/22/13	CAD GENERATED DOCUMENT, DO NOT MEASURE DRAWING.	

REV.	DESCRIPTION	DATE	APPROVED
	SEE SHEET #1		

DERATING CURVES



Bivar Part Number	Wave Length λ_p (nm)	Emitted Color	Lens Appearance	Operating Voltage	Electro-Optical Data		Viewing Angle	De-rating Graphs
				Vopr (Vac/dc)	Current DC (mA)	Iv (mcd)		
				TYP	TYP	TYP		
LFR-240A48V	600	AMBER	-	8-48	10	690	120	1
LFR-240R48V	640	RED	-	8-48	10	64	120	2
LFR-240G48V	520	GREEN	-	8-48	10	870	120	1
LFR-240B48V	460	BLUE	-	8-48	10	310	120	1
LFR-240A130VAC	600	AMBER	-	48-130	5	690	120	1
LFR-240R130VAC	640	RED	-	48-130	5	640	120	2
LFR-240G130VAC	520	GREEN	-	48-130	5	870	120	1
LFR-240B130VAC	460	BLUE	-	48-130	5	310	120	1

Bivar Part Number	Chromaticity Coordinates	Emitted Color	Lens Appearance	Operating Voltage	Electro-Optical Data		Viewing Angle	De-rating Graphs
				Vopr (Vac/dc)	Current DC (mA)	Iv (mcd)		
				TYP	TYP	TYP		
LFR-240WW48V	X=0.4255~0.4680 Y=0.4000~0.4385	WARM WHITE	-	8-48	10	1300	120	1
LFR-240WW130VAC	X=0.4255~0.4680 Y=0.4000~0.4385	WARM WHITE	-	8-48	10	1300	120	1
LFR-240CW48V	X=0.264~0.296 Y=0.248~0.305	COOL WHITE	-	48-130	5	1500	120	1
LFR-240CW130VAC	X=0.264~0.296 Y=0.248~0.305	COOL WHITE	-	48-130	5	1500	120	1

ABSOLUTE MAXIMUM RATINGS (Ta = 25°C)

MAXIMUM POWER DISSIPATION _____ 225 mW
 OPERATING TEMPERATURE RANGE _____ -40°C ~ 110°C
 STORAGE TEMPERATURE _____ -40°C ~ 110°C

STANDARD TOLERANCE (UNLESS OTHERWISE SPECIFIED)		BIVAR [®] 4 THOMAS, IRVINE, CA. 92618 TEL: (949) 951-8808 FAX: (949) 951-3974
DECIMALS	ANGULAR	
		TITLE: 240 SERIES INCANDESCENT REPLACEMENT LED
DESIGNED: Minh Doan	DATE: 10/22/13	PART NO: LFR-240X-XXX
CHECKED: Alex Wright	DATE: 10/22/13	REVISION: A
		CAGE CODE : 32559 SHEET # 2 OF 2
CAD GENERATED DOCUMENT, DO NOT MEASURE DRAWING.		