



Chipsmall Limited consists of a professional team with an average of over 10 year of expertise in the distribution of electronic components. Based in Hongkong, we have already established firm and mutual-benefit business relationships with customers from,Europe,America and south Asia,supplying obsolete and hard-to-find components to meet their specific needs.

With the principle of “Quality Parts,Customers Priority,Honest Operation,and Considerate Service”,our business mainly focus on the distribution of electronic components. Line cards we deal with include Microchip,ALPS,ROHM,Xilinx,Pulse,ON,Everlight and Freescale. Main products comprise IC,Modules,Potentiometer,IC Socket,Relay,Connector.Our parts cover such applications as commercial,industrial, and automotives areas.

We are looking forward to setting up business relationship with you and hope to provide you with the best service and solution. Let us make a better world for our industry!



Contact us

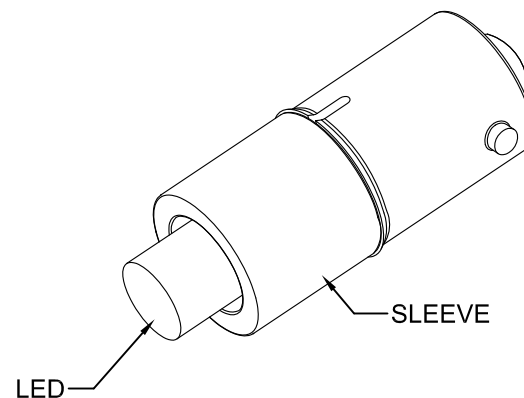
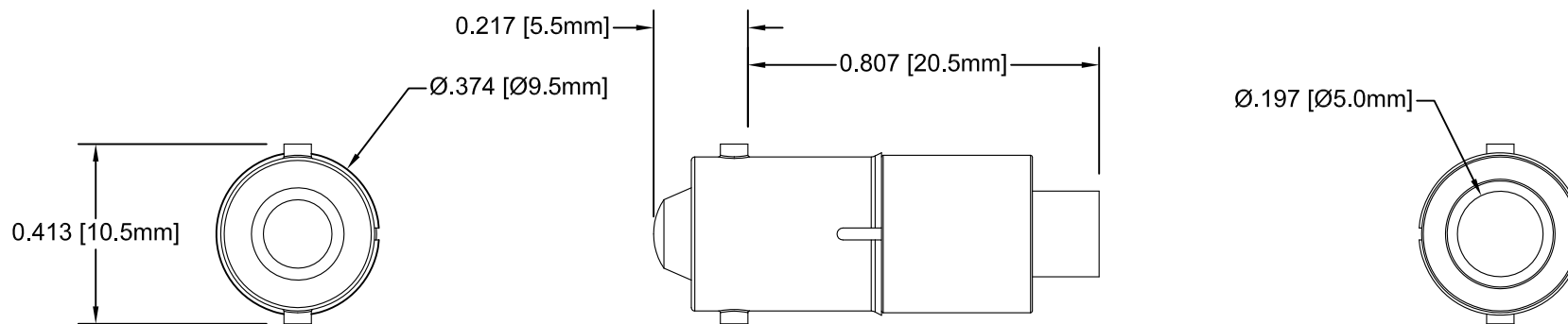
Tel: +86-755-8981 8866 Fax: +86-755-8427 6832

Email & Skype: info@chipsmall.com Web: www.chipsmall.com

Address: A1208, Overseas Decoration Building, #122 Zhenhua RD., Futian, Shenzhen, China


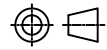


REV.	DESCRIPTION	DATE	APPROVED
A	Engineering Release	10/22/13	G. W.



NOTES:

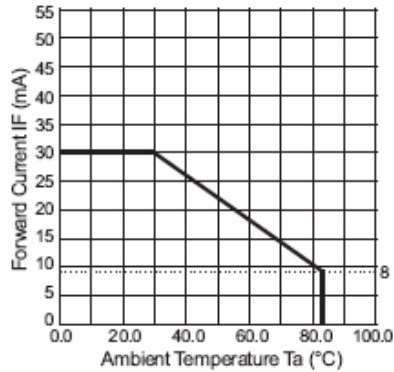
3. DIRECT REPLACEMENT FOR T3 ¼ BA9s BASED LAMPS
2. VOLTAGE OPERATING RANGE 8-48VAC/DC
1. DURABLE TO SHOCK AND VIBRATION

STANDARD TOLERANCE (UNLESS OTHERWISE SPECIFIED)		 BIVAR [®] 4 THOMAS, IRVINE, CA. 92618 TEL: (949) 951-8808 FAX: (949) 951-3974	
DECIMALS	ANGULAR		
.X ± .1	X° ± 1°		TITLE: 255 SERIES INCANDESCENT REPLACEMENT LEDS
.XX ± .02			
.XXX ± .010			
DESIGNED: Minh Doan	DATE: 10/22/13	PART NO: LFR-255X-XXX	REVISION: A
CHECKED: Alex Wright	DATE: 10/22/13	CAGE CODE : 32559	SHEET # 1 OF 2
CAD GENERATED DOCUMENT, DO NOT MEASURE DRAWING.			

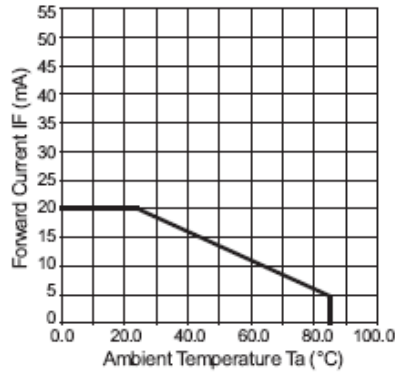
REV.	DESCRIPTION	DATE	APPROVED
	SEE SHEET #1		

DERATING CURVES

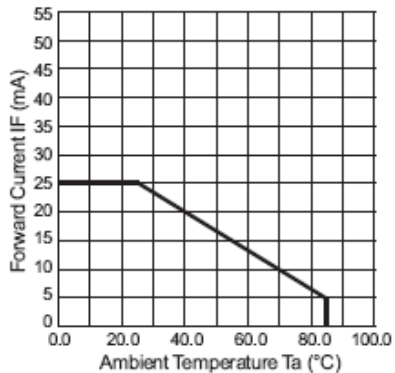
Derating Graph 1



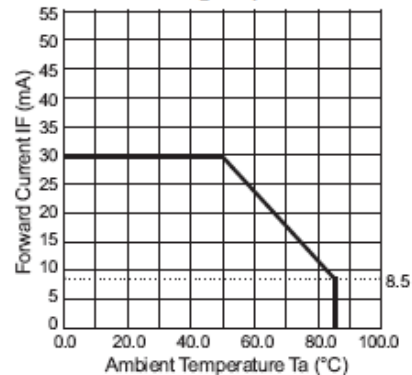
Derating Graph 2



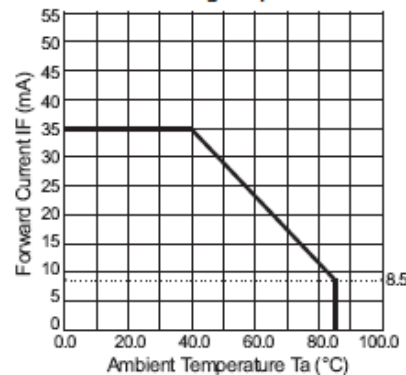
Derating Graph 3



Derating Graph 4



Derating Graph 5



Bivar Part Number	Wave Length λ_p (nm)	Emitted Color	Lens Appearance	Operating Voltage	Electro-Optical Data		Viewing Angle	De-rating Graphs
				Vopr (Vac/dc)	Current DC (mA)	Iv (mcd)		
				TYP	TYP	TYP		
LFR-255R48V	630	RED	CLEAR	8-48	10	600	120	2
LFR-255Y48V	585	YELLOW	CLEAR	8-48	10	600	120	2
LFR-255G48V	515	GREEN	CLEAR	8-48	10	800	120	3
LFR-255B48V	465	BLUE	CLEAR	8-48	10	230	120	5

Bivar Part Number	Chromaticity Coordinates	Emitted Color	Lens Appearance	Operating Voltage	Electro-Optical Data		Viewing Angle	De-rating Graphs
				Vopr (Vac/dc)	Current DC (mA)	Iv (mcd)		
				TYP	TYP	TYP		
LFR-255WW48V	X=0.4255~0.4680 Y=0.4000~0.4385	WARM WHITE	CLEAR	8-48	10	850	120	4
LFR-255CW48V	X=0.4255~0.4680 Y=0.4000~0.4385	COOL WHITE	CLEAR	8-48	10	785	120	1

ABSOLUTE MAXIMUM RATINGS (Ta = 25°C)

MAXIMUM POWER DISSIPATION _____ 625 mW
 OPERATING TEMPERATURE RANGE _____ -40°C ~ 85°C
 STORAGE TEMPERATURE _____ -40°C ~ 100°C

STANDARD TOLERANCE (UNLESS OTHERWISE SPECIFIED)		BIVAR [®]	4 THOMAS, IRVINE, CA. 92618 TEL: (949) 951-8808 FAX: (949) 951-3974
DECIMALS	ANGULAR		
DESIGNED: Minh Doan		DATE: 10/22/13	TITLE: 255 SERIES INCANDESCENT REPLACEMENT LED
CHECKED: Alex Wright		DATE: 10/22/13	PART NO: LFR-255X-XXX
		CAGE CODE : 32559	SHEET # 2 OF 2
CAD GENERATED DOCUMENT, DO NOT MEASURE DRAWING.			