



Chipsmall Limited consists of a professional team with an average of over 10 year of expertise in the distribution of electronic components. Based in Hongkong, we have already established firm and mutual-benefit business relationships with customers from,Europe,America and south Asia,supplying obsolete and hard-to-find components to meet their specific needs.

With the principle of “Quality Parts,Customers Priority,Honest Operation,and Considerate Service”,our business mainly focus on the distribution of electronic components. Line cards we deal with include Microchip,ALPS,ROHM,Xilinx,Pulse,ON,Everlight and Freescale. Main products comprise IC,Modules,Potentiometer,IC Socket,Relay,Connector.Our parts cover such applications as commercial,industrial, and automotives areas.

We are looking forward to setting up business relationship with you and hope to provide you with the best service and solution. Let us make a better world for our industry!



## Contact us

Tel: +86-755-8981 8866 Fax: +86-755-8427 6832

Email & Skype: info@chipsmall.com Web: www.chipsmall.com

Address: A1208, Overseas Decoration Building, #122 Zhenhua RD., Futian, Shenzhen, China




**Description**

- Standard 7 x 5mm crystal oscillator  
Ceramic package with a seam sealed metal lid, hermetically sealed
- Model CFPS-73
- Model Issue number 12

**Frequency Parameters**

- Frequency 48.0MHz
- Frequency Stability ±100.00ppm
- Operating Temperature Range -40.00 to 85.00°C
- Ageing ±3ppm per year max

**Electrical Parameters**

- Supply Voltage 3.3V ±10%
- Current Draw 20.00mA

**Output Details**

- Output Compatibility HCMOS
- Drive Capability 50pF max
- Rise and Fall Time 10.0ns max
- Duty Cycle 45/55

**Output Control**

- Logic '1' (>70% VS) to pad 1 enables oscillator output  
Logic '0' (<30% VS) to pad 1 disables oscillator output; the oscillator output goes to the high impedance state  
No connection to pad 1 enables oscillator output  
Standby Current: 10µA max

**Noise Parameters**

- Phase Noise @125MHz (typical):  
10Hz -54dBc  
100Hz -92dBc  
1kHz -130dBc  
10kHz -149dBc  
100kHz -159dBc  
1MHz -163dBc
- RMS Phase Jitter @125MHz: 52fs typical

**Environmental Parameters**

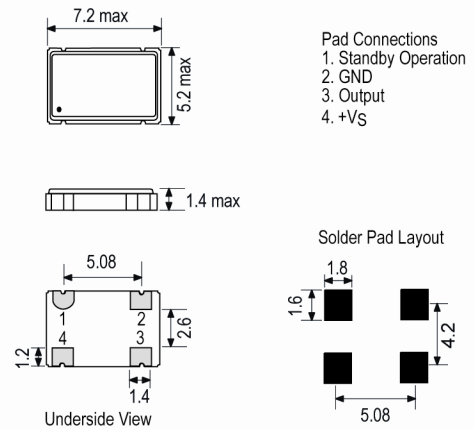
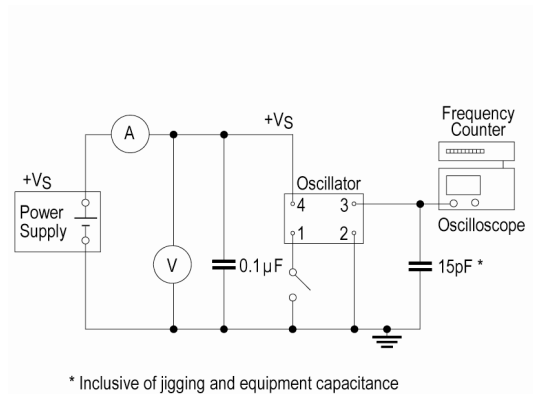
- Shock: MIL-STD-202, Method 213, Condition E
- Vibration: MIL-STD-883, Method 2007, Condition A
- Storage Temperature Range: -55 to 125°C

**Compliance**

- RoHS Status (2011/65/EU) Compliant
- REACH Status Compliant
- MSL Rating (JDEC-STD-033): Not Applicable

**Packaging Details**

- Pack Style: Reel Tape & reel in accordance with EIA-481-D  
Pack Size: 1,000
- *Alternative packing option available*

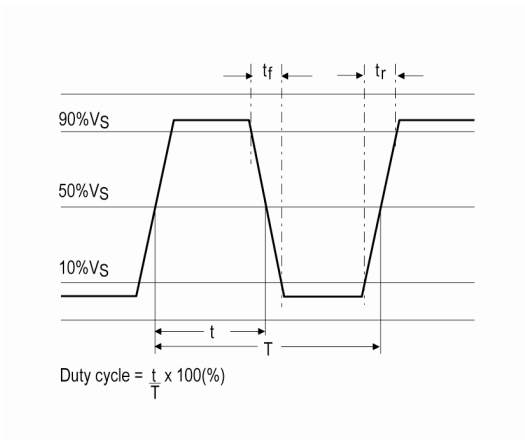

**Outline (mm)**

**Test Circuit**

**Sales Office Contact Details:**

 UK: +44 (0)1460 270200  
 Germany: 0800 1808 443

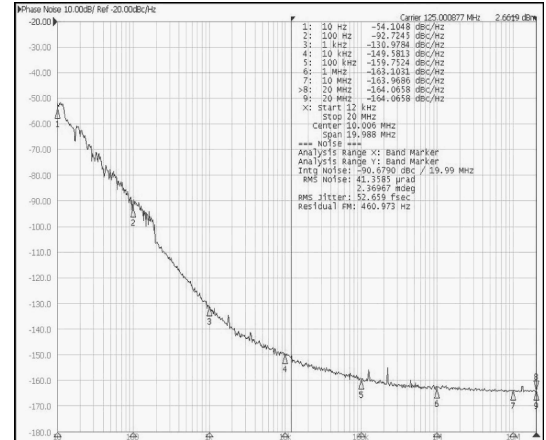
 France: 0800 901 383  
 USA: +1.760.318.2824

 Email: [info@iqdfrequencyproducts.com](mailto:info@iqdfrequencyproducts.com)  
 Web: [www.iqdfrequencyproducts.com](http://www.iqdfrequencyproducts.com)

**Wave Form**



**Phase Noise / Jitter**



**Sales Office Contact Details:**

UK: +44 (0)1460 270200  
 Germany: 0800 1808 443

France: 0800 901 383  
 USA: +1.760.318.2824

Email: [info@iqdfrequencyproducts.com](mailto:info@iqdfrequencyproducts.com)  
 Web: [www.iqdfrequencyproducts.com](http://www.iqdfrequencyproducts.com)