



Chipsmall Limited consists of a professional team with an average of over 10 year of expertise in the distribution of electronic components. Based in Hongkong, we have already established firm and mutual-benefit business relationships with customers from,Europe,America and south Asia,supplying obsolete and hard-to-find components to meet their specific needs.

With the principle of “Quality Parts,Customers Priority,Honest Operation,and Considerate Service”,our business mainly focus on the distribution of electronic components. Line cards we deal with include Microchip,ALPS,ROHM,Xilinx,Pulse,ON,Everlight and Freescale. Main products comprise IC,Modules,Potentiometer,IC Socket,Relay,Connector.Our parts cover such applications as commercial,industrial, and automotives areas.

We are looking forward to setting up business relationship with you and hope to provide you with the best service and solution. Let us make a better world for our industry!



Contact us

Tel: +86-755-8981 8866 Fax: +86-755-8427 6832

Email & Skype: info@chipsmall.com Web: www.chipsmall.com

Address: A1208, Overseas Decoration Building, #122 Zhenhua RD., Futian, Shenzhen, China



THE LEGEND PLUS BATCH



MODEL LGPB INSTRUCTION MANUAL

INTRODUCTION

The Legend Plus Batch unit (LGPB) is another unit in our multi-purpose series of industrial control products that are field-programmable for solving various applications. This series of products is built around the concept that the end user has the capability to program different indication and control requirements.

The Legend Plus which you have purchased, has the same high quality workmanship and advanced technological capabilities that have made Red Lion Controls the leader in today's industrial market.

Red Lion Controls has a complete line of industrial indication and control equipment, and we look forward to servicing you now and in the future.



CAUTION: Risk of Danger.
Read complete instructions prior to
installation and operation of the unit.



CAUTION: Risk of electric shock.

Table of Contents

GENERAL DESCRIPTION	5
Block Diagram	5
Safety Summary	6
Basic Operation	6
Messages	8
User Input Message Request Operation	8
Binary Message Request Operation	8
Output Message Request	8
Message Cancellation	8
Overflow Indication	9
Peak & Valley	9
Normal Operating Mode	9
Keypad Description	10
Keypad Functions	10
Program Code Number (PRO.CODE)	11
Front Panel Accessible Functions With Program Disable	11
PROGRAMMING GENERAL DESCRIPTION	12
Program Presets & Counter Load Module	13
Preset Values	13
Counter Load Value	13
Program Scale Factors Module	14
Count Scale Factor	14
Rate Scale Factor	14
Total Scale Factor	14
PROGRAMMING MENUS	15
Program Scaling Module	16
Count Scaling Factor (COUNT SF)	16
Rate Scale Factor (RATE SF)	16
Total Scale Factor (TOT SF)	16
Count Scale Multiplier (CNT.SCM)	16
Rate Scale Multiplier (RATE SCM)	16
Rate Conversion Factor (RATE PER)	16
Decimal Point (CNT. DP, RATE DP, TOT DP)	17
Change Count Value With Scale Factor (CHG CNT W/SF)	17

Program Rate Module	18
Minimum And Maximum Update Time	18
Program Counter Module	19
Count Modes (CNT. INPUT)	19
Process Reset Action (PRC. RST.)	20
Process Automatic Reset (P AUTO.RS)	20
Batch Reset Action (BAT. RST)	21
Batch Automatic Reset (B AUTO. RS)	21
Total Reset Action (TOT. RST.)	21
Program User Module	22
Binary Message Request (BIN MSG REQ)	22
No Mode	23
Maintained Reset (MNT RST)	23
Momentary Reset (MOM RST)	23
Reset Output (RST OUT)	23
Set Output (SET OUT)	23
View/Freeze Display (VIEW DS1)	23
Change Display (CHG DSP)	24
Request Message (REQ MSG#)	24
Clear Message (CLR MSG)	24
Skip Preset (SKIP PRS)	24
Counter Load (CNT LD)	24
Print Request (PRINT RQ)	24
Program Disable (PGM.DIS.)	24
Inhibit Count	24
Program Outputs Module	25
Phase	25
Output Modes - Timed, Latched or Boundary	25
Rate Output On/Off Delay	25
Output End (Reset) Modes - OUT1 END, OUT2 END	27
Output Power Up State (OFF@P.UP, SAVE@P.DN OR ON @P.UP)	27
Reset Output With Count (RST/C-EN OR DS)	27
Request Message (REQMSG#—)	27
Program Display Module	28
Displays 1 to 4	28
Scroll Speed (SCRO.SPD)	28

Display Intensity (DSP.LEVEL)	28
Custom Display Lines (CUST.DSP.1 / CUST.DSP.2)	28
Mnemonic	28
Program Message Module	30
Message Type	30
Message Text	31
Message Priority (PRIOR - 1)	33
Blinking Message (BLNK-YES/NO)	33
Multiplex (MUX - YES/NO)	33
Maintained/Momentary Message Request	33
Message Cancellation	33
Message Time	33
Message Color	33
Program Communication Port	34
Baud Rate	34
Parity/ Number Of Data Bits	34
Unit Address	34
Serial Transmit Delay	34
Program Print Options Module	35
Mnemonics (MNEM-Yes/No)	35
Transmit and Reset (TX&R-Yes/No)	35
Message 0 (MSG0-Yes/No)	35
Program Options Module	36
Operator Access	36
Preset Tracking	36
Program Code (PRO. CODE)	36
User Settings	37
LGPB Factory Settings Program Sheet	37
LGPB User Settings Program Sheet	39
SERIAL COMMUNICATIONS	42
Programming Software	42
Installing Software	42
Using Software	42
Communication Format	43
Sending Commands and Data	43
Receiving Data	46

Serial Connections	47
Connecting to a Host Terminal	48
Troubleshooting Serial Communications	49
INSTALLATION & CONNECTIONS	50
EMC Compliance Installation	51
Additional EMC Installation Guidelines	51
Wiring Connections	52
A.C. Power Wiring	52
DC Power Wiring	52
Serial Communications	52
User Input Wiring	52
Output Wiring	52
Signal Wiring	53
Inputs A & B	53
Installation & Removal of Relay Board	54
DIP Switch Set-up	54
Various Sensor Output Connections	55
SPECIFICATIONS & DIMENSIONS	57
TROUBLESHOOTING GUIDE	59
APPENDIX “A” - SCALING FOR COUNT AND TOTAL INDICATION	62
Scaling For Count Indication	62
Count Scale Multiplier	63
Scaling For Total Indication	64
APPENDIX “B” - SCALING FOR RATE INDICATION	65
Rate Scale Multiplier	66
APPENDIX “C” - APPLICATION	68
APPENDIX “D” - ORDERING INFORMATION	71
APPENDIX “E” - FLOWCHART FOLD-OUT	(Insert)

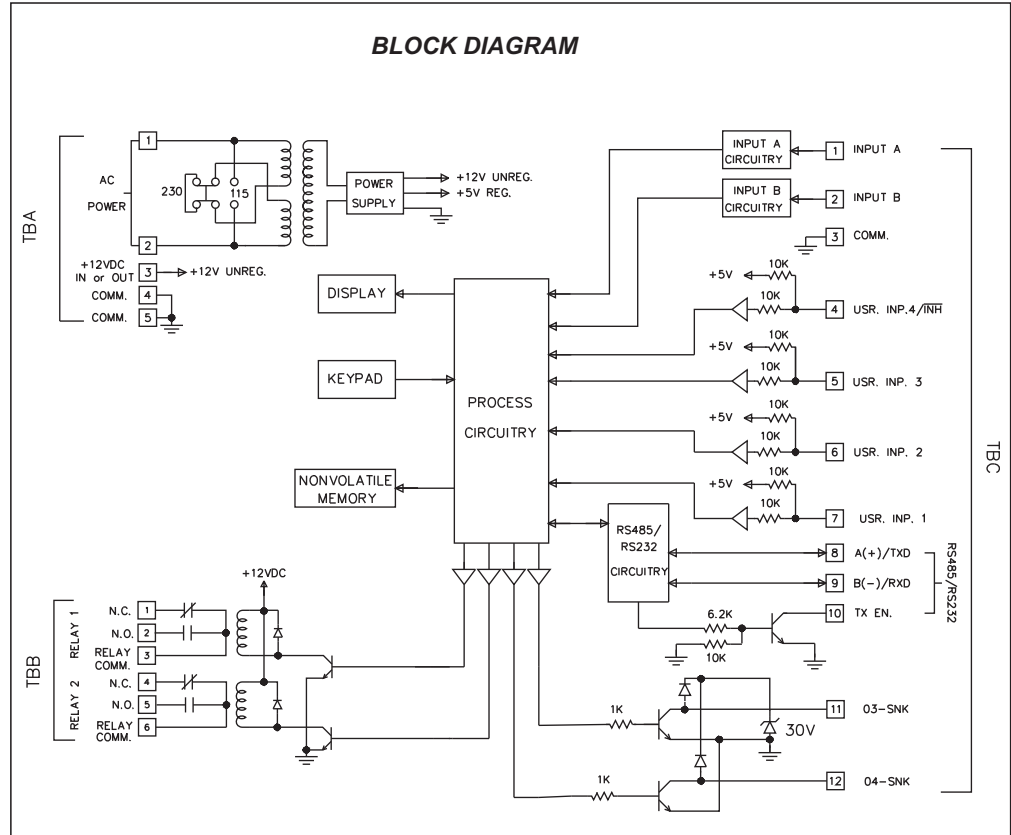
GENERAL DESCRIPTION

The Legend Plus Batch Counter (LGPB) is a multi-input, counting panel instrument that features process, batch, and total counting, as well as a time interval rate indicator. All four available presets can be assigned to the process counter or the rate indicator. Outputs three and four can also be assigned to the batch or total indicator.

The Legend Plus has advanced features that allow the unit to be more closely coupled to the application. The unit features a 2 line by 8 character alphanumeric display, allowing the value mnemonics and programming menus to be easily read. The unit is available in single or dual color display models. The four scroll-through indication displays can be programmed to show various parameters and to automatically scroll. On dual color models, each indication display can be programmed for either color. The mnemonics corresponding to the main display values (RATE, PROCESS, BATCH, TOTAL), can be individually programmed and modified as desired. For example, the RATE mnemonic can be reprogrammed to display the word SPEED, so that when the rate mnemonic is to be displayed, the mnemonic SPEED is displayed instead.

Two custom display lines allow the user to specify the number of digits of a value to be displayed on a line, along with any alphanumeric prefix or suffix. This capability allows displays such as; '1000 RPM', '99999 Ft', or 'PRC 9999', etc.

The Legend Plus also features messaging capabilities that can inform the user of output actions or other events that occur in a system.



GENERAL DESCRIPTION (Cont'd)

Up to ten messages can be programmed. Messages can be requested by an output status change, User Input(s), or through serial communications. The messages can be programmed for block or character scroll, to blink, time out, and to alternately flash between message and indication display. On dual color models the message can be programmed to be displayed in either color. This capability is very useful in drawing the operator's attention to particular messages.

The program disable DIP switch, a code value, and an external User Input selected for Program Disable can be utilized to provide multi-level protection against unwanted changes to data values and unit configuration.

The Legend Plus features enhanced serial communications. The Serial port can be configured for connection to RS-485 or RS-232 devices. It can be used for data retrieval and for programming various data values.

Optional Legend Plus Programming software (SFLGP) for IBM® compatible PCs is available to program all of the Legend Configuration parameters, such as, messages, count modes, etc. The software allows unit configurations to be created, uploaded, downloaded, and saved to a file for rapid programming of the Legend unit.

The six Programmable User Inputs can be configured to provide a variety of functions. Four User Inputs are located on the upper rear terminal block. The other two inputs are front panel function keys.

The LGPB offers a choice of seven programmable counting modes for use in applications requiring bidirectional, Anti-coincidence, and Quadrature counting. The count inhibit function can be utilized with all of these input response modes by programming User Input 4 for the Inhibit Count function.

Input A accepts a signal for the Process, Total and Rate displays. Input B accepts a signal for the Process display or direction control. In the Anti-coincidence mode, both inputs are monitored simultaneously, so that no counts are missed, and the final count can be chosen as the sum or difference of the two inputs.

Rate, Process & Total displays have separate scaling and decimal point placement, for readouts in different units. The Counter Load feature enables the operator to modify the count value. This is useful when flawed material has been counted and it is necessary to adjust the count value accordingly.

The rate operates in the time interval method (1/tau) to calculate the rate value. This method insures high resolution at all input rates. Averaging can be accomplished by programming the Minimum and Maximum Update Time for the desired response. Extensive scaling capabilities allow practically any reading at very slow input rates.

The construction of the LGPB unit is a lightweight, high impact plastic case with a clear viewing window. The sealed front panel with the silicone rubber keypad meets NEMA 4X/IP65 specifications for wash-down and/or dusty environments, when properly installed. Plug-in style terminal blocks simplify installation and wiring changes.

SAFETY SUMMARY

All safety related regulations, local codes and instructions that appear in the manual or on equipment must be observed to ensure personal safety and to prevent damage to either the instrument or equipment connected to it. If equipment is used in a manner not specified by the manufacturer, the protection provided by the equipment may be impaired.

Do not use this unit to directly command motors, valves, or other actuators not equipped with safeguards. To do so, can be potentially harmful to persons or equipment in the event of a fault to the unit.

BASIC OPERATION

The unit contains three counters that keep track of the Process Count, Batch Count, and Total Count. The unit takes the actual number of pulses counted (internal count value) and multiplies them by the Count Scale Factor and Count Scale Multiplier. This results in the desired reading value for the Process Count display. The Total Count is scaled by the same Count Scale Factor and Count Scale Multiplier as the Process, and is additionally scaled by a Total Scale Factor. A Total Scale factor of 1.0000 provides a total count that is scaled identically to the process count. A Total Scale Factor of 0.0010 provides 1 total count for every 1000 process counts. The Batch Count registers 1 count each time a process is completed.

During operation of the Legend Plus, after internal scaling is complete, any digits remaining to the right of the least significant digit (LSD) of the display is examined by the unit. If this digit is equal to or greater than 0.5, the LSD of the display is rounded to the next higher digit. Any number less than 0.5 is ignored.

During Reset to Preset modes of operation, any remainder greater than 0.5 will cause the display to be rounded up. Due to this rounding action, the output activation may appear to be delayed. In actuality the display may have rounded up or down, but the internal count had not yet reached the preset value or zero.

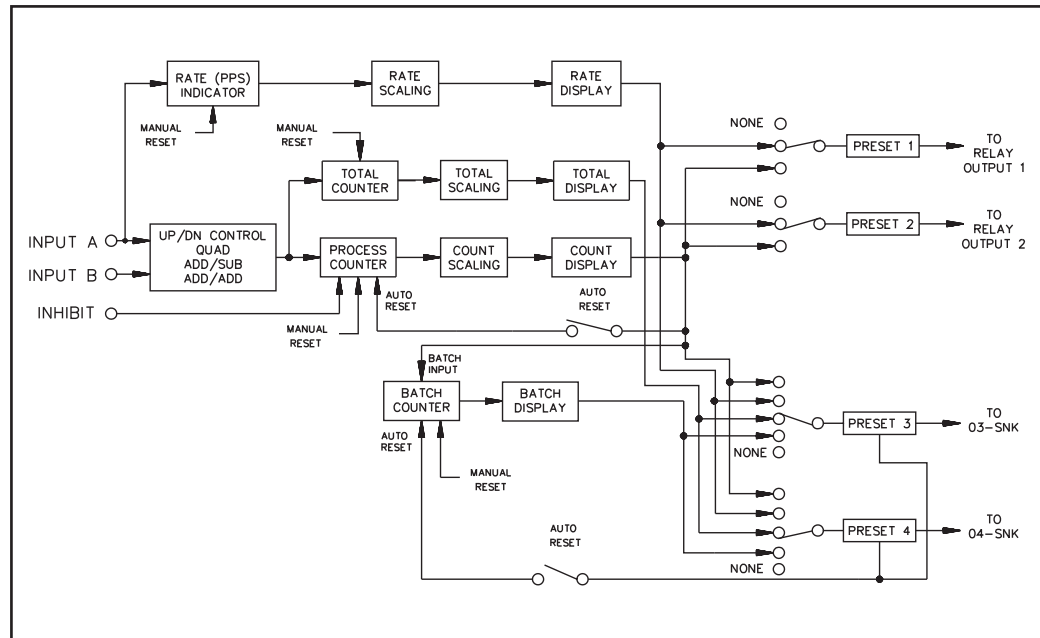
The Process and Batch Counters have three Reset Action modes associated with their displays; Reset to Zero (up-count modes), Reset to Preset (down-count modes), or Reset to the Counter Load value. Both counters can be independently programmed to operate in one of these reset modes. A Reset can be a manual reset, using a programmable User Input, or it can be one of the seven programmable Automatic Reset modes. Both the reset action and automatic reset modes are programmed in the Program Counter Module.

The Process Counter displays the scaled number of pulses in the current Batch cycle. The Batch counter displays the number of processes that have been completed. When the process count equals either preset 1 or 2 depending on the selection of the automatic reset mode, the Batch count increments by one. If the automatic reset mode is disabled, the batch counter will increment at the preset 2 value (if Output 2 is assigned to Process). The Batch count can also be programmed to automatically reset.

The Total Count is the scaled total number of counts that have been received since the Total was last reset. It can be used to keep a running total of process units on a desired per shift, per day, per week, etc. basis. The Total counter can also be used to convert the Process Counter value to different units of measure (i.e feet to meters, etc.). The direction of count for the Total is dependent on the process count direction and the Total reset mode. The Total count can be programmed to reset to zero, or reset to preset 3 and requires a manual reset by a User Input. The reset can be independent of the process and batch count.

The signal at Input A is used for the Rate indicator. The rate indicator uses a time interval method (1/tau) to calculate the rate value. The unit counts on the negative edge of the input pulses. After the programmed minimum update time elapses and the next negative edge occurs, the unit saves the number of edges that occurred during the elapsed time. The number of edges is multiplied by the Rate Scale Factor, Rate Scale Multiplier, and the Rate Conversion Factor to calculate the rate value. Averaging can be accomplished by programming the Rate Minimum Update Time for the desired response. Extensive scaling capabilities allow practically any desired reading at very slow count rates.

The following is a Block Diagram overview of the basic operation.



MESSAGES

The Legend Plus features messaging capabilities that can inform the user of output actions or other events that occur in a system. Up to ten messages can be programmed. Messages can be requested by an output status change, User Input(s), or through serial communications.

When a message is requested, the unit checks if there is a message already on the display. If there are no messages on the display, the requested message is displayed. A message on the display is replaced, if the requested message has the same or higher priority. If the unit is not at the main display, the unit stores one message request. If subsequent messages are requested while not at the main display, the unit stores the last message requested, or the highest priority message requested. 2.5 seconds after the user returns to the main display the stored message is displayed.

If a message is displayed and the user presses the appropriate key to get to the Preset, Scaling or Programming menu display, the displayed message is temporarily suspended. While the message is suspended the message timer, if used, is also halted. 2.5 seconds after the user returns to the main displays, the message is redisplayed and the message timer resumes. If the Up or Down arrow key is pressed while in the main display loop, the message is also suspended, and the appropriate programmed display is shown. The message is redisplayed 2.5 seconds after the last key press.

USER INPUT MESSAGE REQUEST OPERATION

Individual User Inputs can be programmed to activate any of the ten messages. The messages can be maintained or momentary. Messages can be assigned a priority from 1 to 8 (1 is highest). This assures that very important messages are displayed first.

BINARY MESSAGE REQUEST OPERATION

Two, three or all four of the User Inputs can be configured to request messages in a binary fashion. Messages 1 through 9 can be requested in this manner. The binary state 0 (all binary inputs inactive), is used to indicate no message requested. During the scanning of the binary message request inputs, if the Input state is the same as the last requested binary message no change will occur. When an input change occurs, the unit requests the message number corresponding to the state of the inputs. The inputs must be stable for 100 msec (debounce time) for the message to be requested (See Program User Module for more details). Changing the individual binary message request input lines slowly will cause unwanted message requests, if several bits need to be changed. This would be noticeable on the display, if a user was utilizing a thumbwheel switch to change between messages.

OUTPUT MESSAGE REQUEST

Each output can be individually programmed to request a specific message when activated. The appropriate message will be requested regardless of the method used to activate the output, i.e. User Input, Count/preset processing, serial command, etc.

Note: The Output must be active for a minimum of 50 msec. for the request to be seen.

MESSAGE CANCELLATION

Messages can be cancelled automatically, or manually. When cancelled, messages programmed for maintained request, will be re-requested if the display is available and the request source is still active. A request for a message of the same or higher priority will cancel the current message on the display. Messages can also be cancelled by a User Input programmed for Cancel Message or via the serial port. The three programmable cancellation options are Latched, Timed, and Til End. (See Program User Message Cancellation for details).

OVERFLOW INDICATION

The unit flashes the word “OVERFLOW” (or assigned mnemonic) in the appropriate display when an overflow condition occurs. An overflow occurs if the capacity of the display (6-digits Process & Batch, 8-digits Total) is exceeded or if the internal count capacity (9-digits Process, 7-digits Batch, 11-digits Total) is exceeded. The use of an extremely small Scale Multiplier and Scale Factor value can cause the internal count capacity to overflow before the displayed value overflows.

For example, if a Scale Factor of 0.0001 and a Scale Multiplier of 0.001 is used, for every 10,000,000 count edges received, the display increments by 1. Before the display reaches 215, the internal counter overflows. When the capacity of the display is exceeded, the count value is maintained and is valid. If the internal count capacity is exceeded, the count value is no longer valid.

Use of a Scale Factor larger than “1” can cause the displayed Process or Total value to overflow before 999,999 counts are accumulated. The use of a Rate Scale Factor, Scale Multiplier, and Rate Conversion Factor larger than “1” can cause the rate display to be in an overflow condition.

The counters should not be allowed to operate in an overflow condition. As soon as, or before the counters overflow, the information should be recorded and the counters reset.

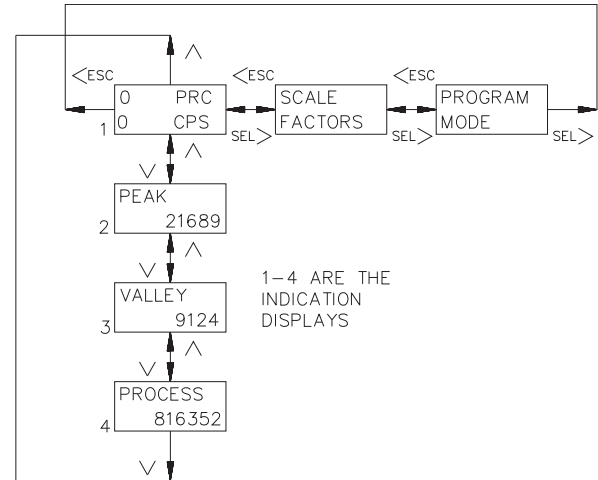
PEAK & VALLEY

The Peak and Valley registers record the lowest (Valley) and the highest (Peak) readings of the rate input signal. These values are viewed in the indication display loop and are updated automatically. A User Input can be programmed to reset the values to the current rate value individually or by sending the proper command via the serial communication port. The Peak and Valley values are NOT retained when power to the unit is removed.

NORMAL OPERATING MODE

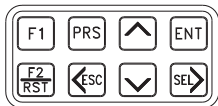
In the normal operating mode, the up, down, left, and right arrow keys are used to scroll through the main display loop. In the main display loop, the four indication displays, scale factors, and program mode modules are viewed, as shown at right. In the indication display loop, the up and down arrow keys are used to scroll to each display. The indication displays are referenced as 1 (0 PRC/0 CPS), 2 (PEAK), 3 (VALLEY), and 4 (PROCESS), which are the factory default settings. The indication displays can be programmed to show other parameters and automatically scroll (See Program Displays Module). The last indication display that was viewed at power down, is the one viewed on power up.

The Presets and Counter Load values are accessed from any of the indication displays or from the programming loop. The Count, Rate, and Total scale factors are accessed from the Scale Factors display or when in the programming loop from the Program Scaling module. In the Program Mode display, the operator enters the programming loop to access all parameters to configure the unit. Shown below is the Main Display Loop.



KEYPAD DESCRIPTION

The keypad has a key array of two rows by four columns. Some keys have a dual function. For a description of key functions during text and mnemonics editing, see Text Editing in the Program Message Module. The following is a description of each key and its function during programming and normal operation:



KEYPAD FUNCTIONS

- F1** -Function key F1 is a User Programmable Input. When the key is pressed, the unit performs the appropriate function as programmed in the “Program User Module”.
- F2 RST** -Function key F2/RST is a User Programmable Input. When the key is pressed, the unit performs the appropriate function, as programmed in the “Program User Module”. The “RST” printing on this key is used as a quick reference for the operator if the function key is selected for a reset function.
- PRS** - The PRS key accesses the Preset and Counter Load Module provided these values are not programmed for ‘loc’k. If all values are ‘loc’ked, pressing the PRS key does nothing. Preset values that are accessible (changeable), can be changed immediately. Pressing the SEL> key is no longer necessary to edit preset values. Within the preset menu, pressing this key saves the value and advances the display to the next available preset. Pressing the PRS key at the end of the module exits the module and returns the user to the main display loop.
- <ESC** - The Left arrow/escape key scrolls to the left in the main display loop. When programming a numerical value, it selects the digit to the left. In a sub-menu, it exits to the next higher level menu in the loop. It is also used to exit the programming loop. When exiting the programming loop, the unit stores all parameters in non-volatile memory and returns to the last viewed indication display.
- ^** - The Up arrow key scrolls through the indication displays. In the programming loop, this key can be used to scroll through the main menus. When programming a numerical value, it increments (decrements, i.e., goes more positive, for negative values) at the selected digit position.

KEYPAD FUNCTIONS (Cont'd)

If the key is pushed and held, the value will scroll (count up) automatically. After 5 counts, the unit enters fast scroll mode. If the key remains pushed, a digit shift occurs every one hundred counts until the maximum value or zero (for negative presets) is reached. When the digit shift occurs, the previously scrolling digit goes to zero. When zero is reached (for negative values), the display holds at zero. To go positive, the key must be released and pushed again.

- V** - The Down arrow key scrolls through the indication displays. In the programming loop, it scrolls through the main menus and sub menus. When programming a numerical value, it decrements (increments or goes more negative, for negative values) at the selected digit position. If the key is pushed and held, the value will auto scroll (count down automatically). After 5 counts, the unit enters fast scroll mode. If the key remains pushed, a digit shift occurs every one hundred counts until zero is reached. When the digit shift occurs, the previously scrolling digit goes to zero. When zero is reached, the display holds at zero. To go negative, the key must be released and pushed again.
- ENT** - The Enter key enters the programming loop, when “Program Mode” is displayed from the main display loop. When “Scale Factors” is displayed, pressing Enter allows access to the scale factors. This key is also used to save changes to data values. If the data value is a preset or counter load value, the value is entered and the preset menu is exited. For all other numeric data values (i.e., Output time, Rate update times, etc.), the value is entered and the value edit mode is exited. The value is still viewed in the display, but with no digits flashing.
- SEL>** - The Select/Right arrow key scrolls right in the main display loop. When programming a numerical value, it selects the digit to the right. In a sub-menu loop, it is used to go to the next lower level and eventually into an edit menu.

PROGRAM CODE NUMBER (PRO.CODE)

In two of the Program Disable states, it is necessary to enter the PRO.CODE number before gaining access to the programming menus. The default value for the code is “00”, but should be programmed differently (See Program Options Module). This helps prevent inadvertent entry into the unit programming menus. The PRO.CODE prompt is viewed when PROGRAM MODE is displayed and the enter key is pressed. At this time, the Code Number must be entered using the arrow keys. If the wrong code number is entered, the operator will NOT be able to enter the programming loop and the unit returns to the main display loop.

FRONT PANEL ACCESSIBLE FUNCTIONS WITH PROGRAM DISABLE

The Legend Plus has several ways to limit the programming of parameters from the front panel keypad. The Operator Access section of the Program Options Module is used with the Program Disable (PGM.DIS.) DIP switch and a User Input selected for PGM.DIS to limit programming. To enter the programming loop, a code number may need to be entered, depending on the Program Disable setting. Only an external User Input can be selected for Program Disable. The following list describes the possible program disabling settings.

PGM.DIS. SWITCH	USER INPUT TERMINAL	PROGRAM CODE NUMBER	ACTION
OFF	INACTIVE or Not Programmed for PGM.DIS	ALL	All programming enabled.
OFF	ACTIVE	0 to 98	Operator Accessible Functions Enabled, Programming Loop Accessible via code number.
OFF	ACTIVE	99	Operator Accessible Functions Enabled, Programming Loop Disabled.
ON	INACTIVE or Not Programmed for PGM.DIS	0 to 98	Operator Accessible Functions Enabled, Programming Loop Accessible via Code number.
ON	INACTIVE or Not Programmed for PGM.DIS	99	Operator Accessible Functions Enabled, Programming Loop Disabled.
ON	ACTIVE	ALL	Operator Accessible Functions Disabled, Programming Loop Disabled.

Note: If the User Input, set for PGM.DIS., is changed to another function, make sure the User Input is not low (active). If the input is low when the function is changed, the program disable function is still active for the User Input.

PROGRAMMING GENERAL DESCRIPTION

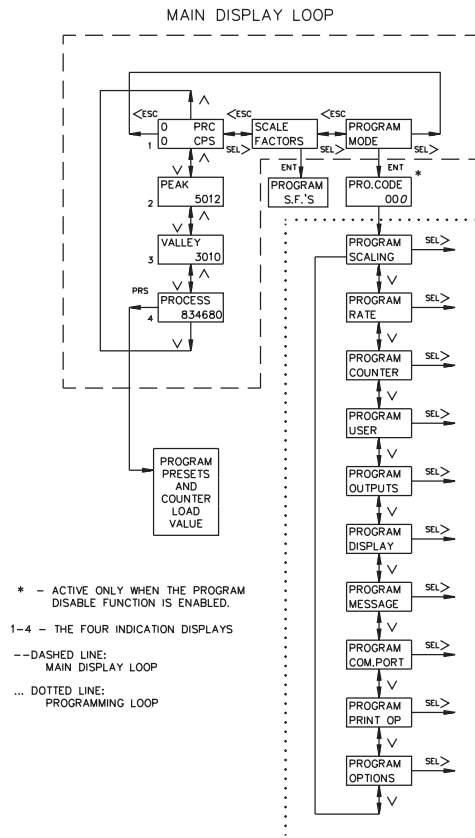
Programming of the Legend Plus is done through the front panel keypad, which allows the user to enter into Main Menus, Sub-Menus, and Edit Menus. English language prompts, flashing parameter values, and the front panel keypad aid the operator during programming.

Although the unit has been programmed at the factory, the parameters generally have to be changed to suit the desired application. The Main Menus are entered by pressing the enter (ENT) key when Program Mode is displayed. From Main Menus, the user can enter a Sub-Menu where parameter values can be viewed. From the Sub-Menu, the operator can advance into an Edit Menu, where a parameter value is changed and entered. There are three types of Edit Menus:

1. A Choice Edit Menu allows the operator to scroll through options by repeatedly pressing the down arrow key until the desired option is viewed. The option is selected by pressing the ENT (enter) key, which returns the operator to the previous sub-menu. The operator can exit the Edit Menu WITHOUT making a selection by pressing the <ESC key, which returns the operator to the previous sub-menu.
2. In a Numerical Value Edit Menu, the operator uses the left or right arrow key to select a digit. The up and down arrow keys change the digit's value. The PRS key toggles the left-most digit between a minus (-) and a zero for plus (+), for that numeric value. When the appropriate numerical value is selected, it is entered by pressing the ENT key, which returns the operator to the previous sub-menu.
3. A Text Edit Menu is where messages are programmed, and changes are made to mnemonics and custom display lines. The up and down arrow keys are used to scroll through characters. The function keys are used with the up and down arrow keys to toggle between upper and lower case letters and to toggle between standard and extended character sets. A complete listing of key functions in a Text Edit menu can be found in the Program Message Module.

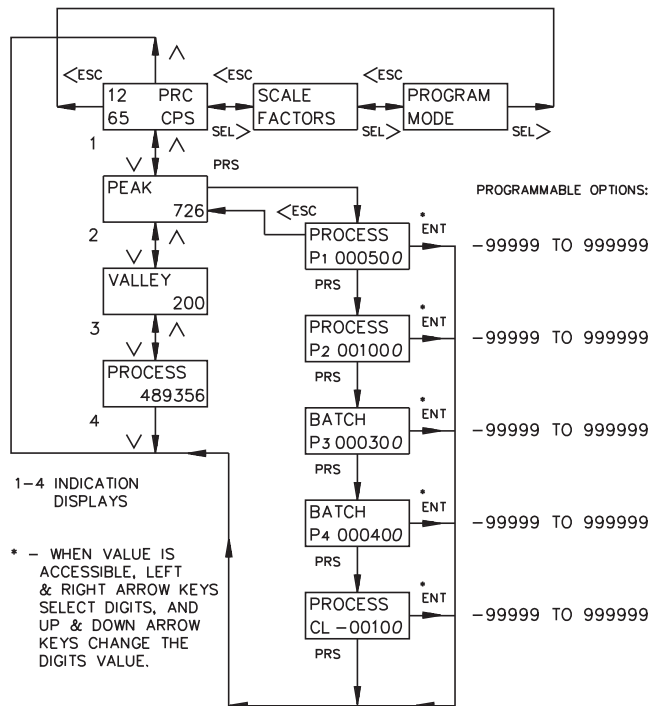
All parameter values changed in the Programming Loop are saved when exiting the loop. The operator can exit the programming loop from any of the main menus by pressing the <ESC key. When the <ESC key is pressed, the display momentarily shows "Please Wait...", while the parameter values are saved in non-volatile memory. The unit returns to the indication display that was last viewed. Shown are the Main Display Loop and the Main Programming menus of the Four Preset Batch Legend Plus (LGPB) unit.

All following flow charts have slanted characters to show parameters that are flashing in the unit's display and have programmable options.



PROGRAM PRESETS & COUNTER LOAD MODULE

The Preset and Counter Load values are accessed from any of the indication displays, or from any of the main menus in the programming loop, by pressing the PRS key. The top line indicates which display the preset is assigned to. The bottom line indicates which preset is viewed and the programmed value. The following flowchart shows only the Preset and Counter Load portion:



PRESET VALUES

Preset values P1 and P2 can activate relay outputs one and two respectively, when the display value equals the preset value. All outputs (presets) can be assigned to the process count, rate indication display, or none. Presets P3 and P4 can activate solid state outputs O3-SNK & O4-SNK respectively, when the assigned display equals the preset value. Only outputs three and four can be assigned to the Batch Counter, or Total Counter. The output action (timed, latched, or boundary) is programmed in the Program Outputs Module. The preset values may range from -99,999 to 999,999.

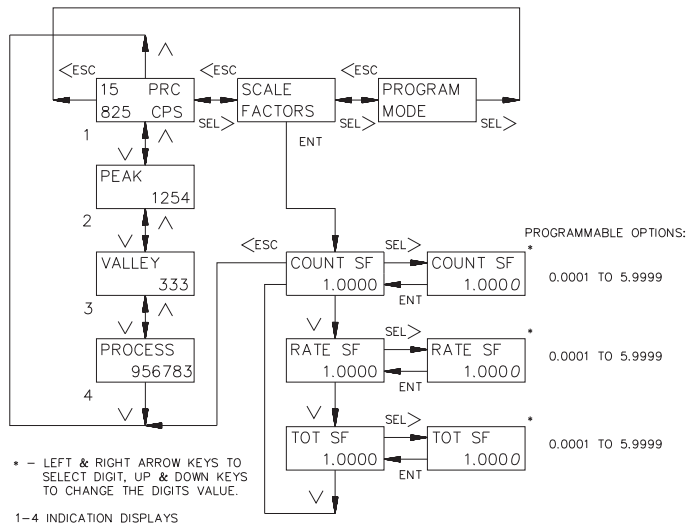
The Count Scale Factor, has a direct effect on the preset value entered, when the output (preset) is assigned to a counter display. For a Scale Factor Value greater than "1", the preset value should be a whole number multiple of the Scale Factor value. If it is not, the unit automatically adjusts the preset value up or down to force it to be evenly divisible by the Scale Factor.

COUNTER LOAD VALUE

The Counter Load (CL) value allows the user to start the process or batch count value from a value other than zero or a preset. The Process and Batch display reset mode is set in the Program Counter Module. The Counter Load value can be programmed from -99,999 to 999,999. The Counter Load value is assigned to the process Counter unless otherwise programmed.

PROGRAM SCALE FACTORS MODULE

The Scale Factors are accessed from the Scale Factors Module in the main display loop or from the Scaling Module in the programming loop. Since the Scale Factors may need to be changed periodically, this module allows the operator to change a Scale Factor value WITHOUT entering the programming loop. The following flowchart shows only the Scale Factor portion:



COUNT SCALE FACTOR

The number of pulses counted (internal count value) is multiplied by the Count Scale Factor value and the Scale Multiplier to obtain the desired Process Count display value. A Count Scale Factor value of 1.0000 and a Scale Multiplier of "1" results in the display of the actual number of input pulses that were counted. The Count Scale Factor value is used for converting the number of pulses counted to the required units of measure for the display. This includes conversion from different units of measure (i.e feet to meters, etc.). The Count Scale Factor value can range from 0.0001 to 5.9999. It is important to note that the precision of a counter application cannot be improved by using a Scale Factor greater than "1". To accomplish greater precision, more pulse information must be generated per measuring unit. For details, refer to Scaling for Count and Total Indication in the Appendix.

RATE SCALE FACTOR

The internal rate value (pulses per second) is multiplied by the Rate Scale Factor, Rate Scale Multiplier, and Rate Conversion Factor values, to obtain the desired rate display value. The Rate Scale Factor value is used for converting the internal rate to the required units of measure for the display. This includes conversion from different units of measure (i.e feet to meters, etc.). The Rate Scale Factor Values range from 0.0001 to 5.9999. Due to the way the rate is calculated, high resolution and accuracy are achieved at all input rates. For details, refer to Scaling for Rate Indication in the Appendix.

TOTAL SCALE FACTOR

The number of pulses counted (internal total count value) is multiplied by the Count Scale Factor, the Scale Multiplier, and the Total Scale Factor to obtain the desired Total display value. A value of 1.0000 results in the same scaling as the Process Count display. The Total Scale Factor value is used for converting the number of pulses counted to the required units of measure for the Total display. This includes conversion from different units of measure (i.e feet to meters, etc.).

The Total Scale Factor value can range from 0.0001 to 5.9999. For details, refer to Scaling for Count and Total Indication in the Appendix.

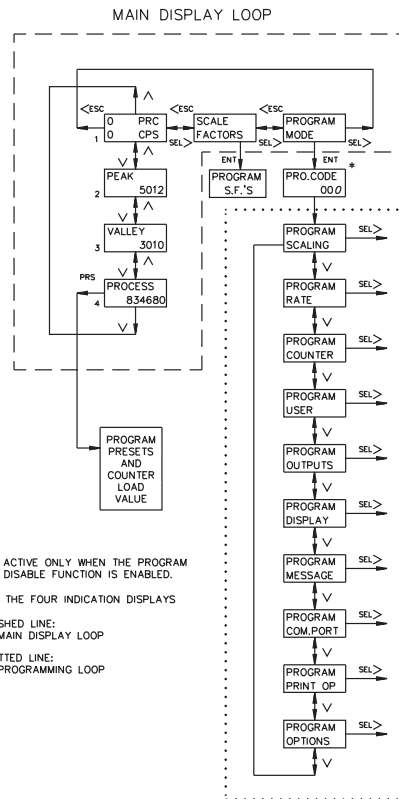
PROGRAMMING MENUS

The programming menus are accessed when “Program Mode” is displayed in the main display loop. All parameter values can be accessed from the Main Programming Menus. Accessibility to the programming menus depends on the Program Disable Function setting (See Front Panel Accessible Functions with Program Disable) and could require a Program Code number to enter the programming menus.

In the programming menus, pressing the up or down arrow key scrolls through the main menus. From the Main Menu, a sub-menu is accessed by pressing the SEL> key. In a sub-menu, the operator can view the parameter values that are currently selected. To change a parameter value, the edit menu is accessed by pressing the SEL> key (See Programming General Description section).

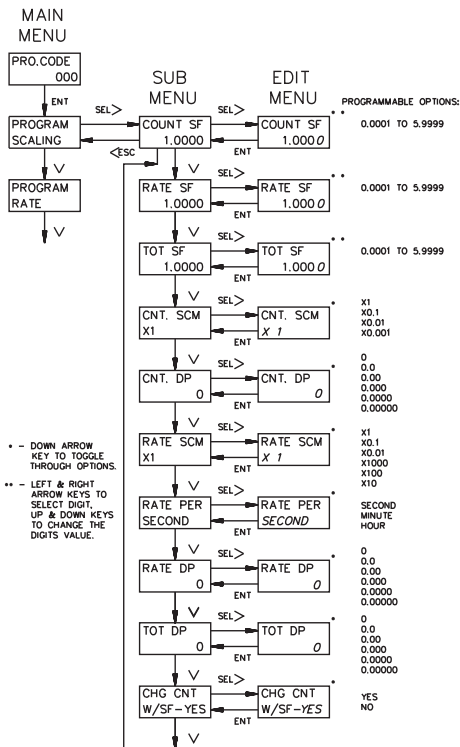
The Preset and Counter Load module can be accessed from any Main Programming Menu by pressing the PRS key. When exiting the preset and counter load module, the unit returns to the last main menu that was viewed.

When all parameter changes have been made, the operator can exit the programming loop, from any main menu, by pressing the <ESC> key. Exiting saves all parameter values and returns the unit to the last indication display that was viewed. Shown are all of the main programming menus:



PROGRAM SCALING MODULE

In the scaling module, the Count, Rate, and Total Scale Factors, scale multipliers, rate conversion factor, and decimal points are accessed. The following flowchart shows only the Scaling portion:



COUNT SCALE FACTOR (COUNT SF)

The Count Scale Factor Value can range from 0.0001 to 5.9999. See Program Scale Factors Module for detailed description.

RATE SCALE FACTOR (RATE SF)

The Rate Scale Factor Value can range from 0.0001 to 5.9999. See Program Scale Factors Module for detailed description.

TOTAL SCALE FACTOR (TOT SF)

The Total Scale Factor value can range from 0.0001 to 5.9999. See Program Scale Factors Module for detailed description.

Note: Since the Process, Total and Rate Scale Factors, may need to be changed periodically, they can also be accessed from the Scale Factors Module in the main display loop.

COUNT SCALE MULTIPLIER (CNT.SCM)

There are four Count Scale Multipliers available; X 1, X 0.1, X 0.01, or X 0.001 that change the Process count display value accordingly. The number of pulses counted (internal count value) is multiplied by the scale multiplier and the scale factor values to obtain the desired Process Count display.

Note: Use of a small scale multiplier with a small scale factor could cause the internal count value to be exceeded before the 6-digit display value is exceeded.

RATE SCALE MULTIPLIER (RATE SCM)

The Rate Scale Multiplier is used with the rate scale factor and rate conversion factor to scale the rate display value for the proper units of measure. The scale multipliers available are; X 1, X 0.1, X 0.01, X 1000, X 100, or X 10.

RATE CONVERSION FACTOR (RATE PER)

The Rate Conversion Factor is used to display the rate value in the proper time units of measure, per second (X1), per minute (X60), or per hour (X3600) for the Rate display.

DECIMAL POINT (CNT. DP, RATE DP, TOT DP)

There are six Decimal Point locations available for the Rate, Total and Process displays. The decimal point position is programmed individually for each display. The decimal point location programmed for the Rate display is the same for the Peak and Valley displays.

CHANGE COUNT VALUE WITH SCALE FACTOR (CHG CNT W/SF)

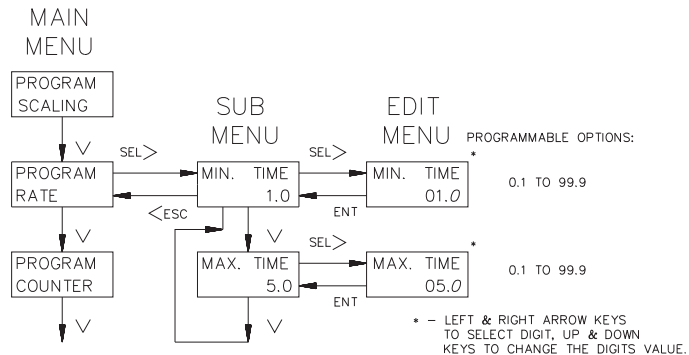
Any changes to the count or total scale factors adjust the currently displayed count and total values to reflect the new scale factor. If this option is set to no, the internal count value is modified so that the count and total display values are not affected.

Example; a count scale factor of 1.000 with a count value of 36 and a total value of 4 is changed to a count scale factor of 0.500. If the option is set to yes, the new count value would be 18 and the new total value, 2. If the option was selected as no, the count and total display values would remain at 36 and 4.

PROGRAM RATE MODULE

MINIMUM AND MAXIMUM UPDATE TIME

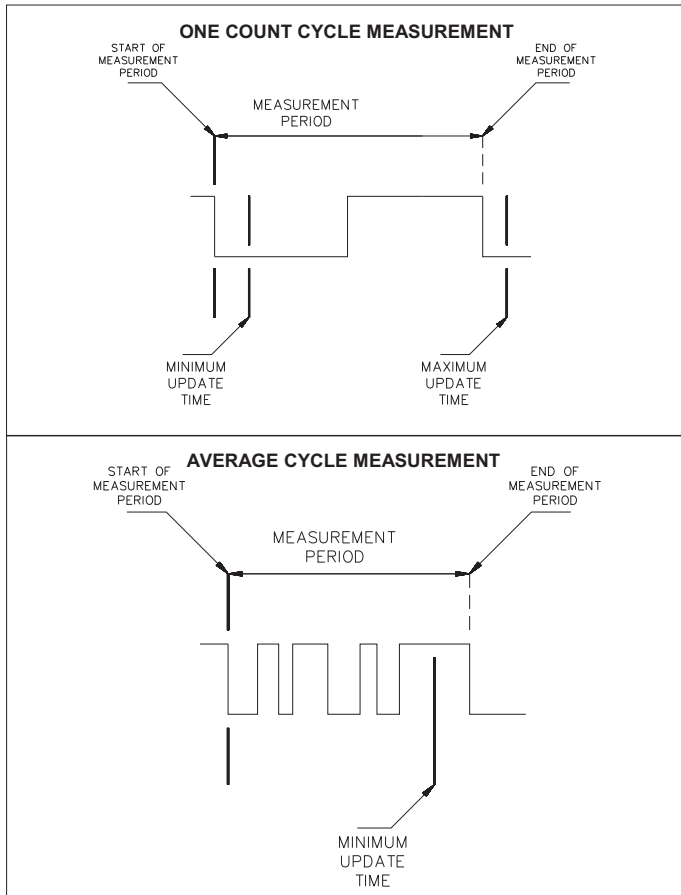
The Minimum and Maximum Update Times are programmed in the Rate module. The update times can range from 0.1 to 99.9 seconds. The following flowchart shows only the Rate portion:



The Rate value is calculated using the time measured between the first and last pulse as the measurement period. The measurement period ends when the minimum update time has expired, and the next negative edge occurs. The number of pulses that occurred during the measurement period are counted and multiplied by the rate scale factor, scale multiplier, and rate conversion factor. The result is divided by the actual measurement period to obtain the rate display value. If the unit does not receive a negative edge within the period between the minimum update time and the maximum update time from the start of the measurement period, the time period ends and the rate display goes to zero. At very slow count rates the measurement period is the actual period of one count cycle, as long as the input rate frequency is not longer than the maximum update time. The rate indicator only uses the falling edge of the Input A signal.

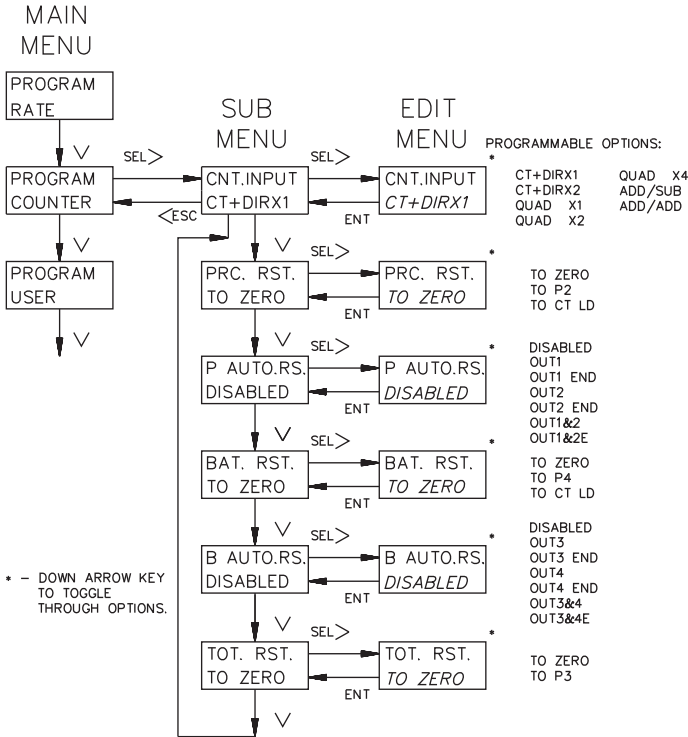
Note: The minimum update time must be equal to or less than 65536 divide by the maximum operating frequency (in Hz) or the internal rate counter will overflow. For example: If the maximum operating frequency is 10 KHz, the minimum update time must be less than 6.5 sec ($65,535 \div 10,000 = 6.5$).

BASIC TIMING DIAGRAMS FOR RATE OPERATION



PROGRAM COUNTER MODULE

In the Counter Module, the count mode, reset action, and automatic reset capability are selected. The following flowchart shows only the Counter portion:



COUNT MODES (CNT. INPUT)

There are seven available count modes. User Input 4 programmed for the count Inhibit function can be used with any count mode. Input A signal is used for the count and rate input. Input B is used in combination with Input A for Count Control Direction, Quadrature counting, Anti-coincidence Add/Subtract or Anti-coincidence Add/Add counting applications.

CT+DIRX1 (X1 COUNTING WITH DIRECTION)

The unit counts one count on every negative edge of the input signal at Input A. The direction of the count is determined by the logic state of Input B. A high level at Input B causes the unit to count in a positive direction. A low level causes the unit to count in a negative direction. The rate display is NOT affected by the logic state of Input B.

CT+DIRX2 (X2 COUNTING WITH DIRECTION)

The unit counts one count on every negative edge of the input signal and one count on every positive edge of the input signal at Input A. In this mode, the input signal is effectively doubled. The direction of the count is determined by the logic state of Input B. A high level at Input B causes the unit to count in a positive direction. A low level causes the unit to count in a negative direction. The rate display is NOT affected by the state of Input B.

QUAD X1 (QUADRATURE X1)

Quadrature counting modes are primarily used in positioning and anti-jitter applications. This mode works due to the manner in which the two incoming pulses are positioned relative to each other. The pulse signal on Input B is shifted 90° away from the pulse signal at Input A. These two signals are processed by the Legend Plus as follows:

Input A serves as the count and rate input, while Input B serves as the quadrature input. For quadrature with single edge counting, the counter counts in a positive direction when Input A is a negative going edge and Input B is at a low level. The counter counts in a negative direction when Input A is a positive going edge and Input B is at a low level. All transitions on Input A are ignored when Input B is at a high level. These logic rules provide the basis for anti-jitter operation which prevents false counts from occurring due to back-lash, vibration, chatter, etc.

COUNT MODES (CNT.INPUT) (Cont'd)

QUAD X2 (QUADRATURE X2)

When two edge counting is used, the quadrature mode works the same as with single edge counting when Input B is low. But when Input B is a high level, counts at Input A are no longer ignored. Instead, the logic rules for Input A are complemented, allowing both edges of Input A to be counted. This doubles the effective resolution of the encoded input.

QUAD X4 (QUADRATURE X4)

This mode takes the quadrature mode, with two edge counting, one step further. In quadrature times 4, both Input A and Input B serve as the count or quadrature input, depending on their state. In one instance, Input A serves as the count input and Input B serves as the quadrature input. In another instance, Input A is the quadrature input and Input B is the count input. This enables each edge, positive and negative going, of both inputs, A and B, to be counted. This results in a resolution four times greater than in the basic quadrature X1 mode. As in the other modes, Input A is also used for the rate input.

ADD/SUB (TWO INPUT ANTI/COINCIDENCE ADD/SUBTRACT)

This mode effectively separates count pulses that may simultaneously appear at the two inputs. The Legend Plus processes the count pulses into a string of time-separated pulses, so the internal counter does not miss any count pulses. Input A serves as the add input (count increments) and Input B serves as the subtract input (count decrements).

ADD/ADD (TWO INPUT ANTI/COINCIDENCE ADD/ADD)

This mode effectively sums count pulses that may simultaneously appear at the two inputs. The Legend Plus processes the count pulses into a string of time-separated pulses so the internal counter does not miss any count pulses. Input A serves as an add input (count increments) and Input B serves as an additional add input (count increments).

PROCESS RESET ACTION (PRC. RST.)

The Process count display can be reset to Zero, Preset 2, or to the Counter Load value. The display can be reset automatically or by a User Input. A User Input can be programmed for a Maintained or Momentary reset (See Program User Module for details). Automatic reset is covered in the next section.

RESET TO ZERO

The Process Counter Display value returns to Zero.

TO P2 (PRESET 2)

The Process Counter Display value returns to the Preset 2 value. Output 2 triggers when the count reaches zero.

TO CT LD (COUNTER LOAD)

The Process Counter Display value returns to the Counter Load value.

Note: The Counter Load reset action should be programmed for only one count display, either the process count or the batch count.

PROCESS AUTOMATIC RESET (P AUTO.RS)

The Automatic reset mode can be enabled or disabled. The Process Counter display automatically resets to the programmed reset action, when one of the automatic reset modes is selected. A manual reset by a User Input causes the count to reset regardless of the automatic reset mode. The following choices are available:

OUT1 (Reset at Beginning Of Output 1)

The counter resets when the count equals the preset 1 value. Output 1 can be timed or latched.

OUT1END (Reset at End Of Timed Output 1)

The counter resets after output 1 has timed out.

OUT2 (Reset at Beginning Of Output 2)

The counter resets when the count equals the preset 2 value or zero (Reset to P2). Output 2 can be timed or latched.

OUT2END (Reset at End Of Timed Output 2)

The counter resets after output 2 has timed out.

OUT1&2 (Reset at Beginning Of Output 1 or Output 2)

The counter resets when the count equals preset 1, preset 2, or zero (reset to P2). Outputs 1 and 2 can be Timed or Latched.

OUT1&2E (Reset at End Of Timed Output 1 or Output 2)

The counter resets after output 1 or output 2 has timed out.

Notes:

- 1. For Auto Reset modes, when operating between approximately $\frac{1}{2}$ to maximum count rate, all other presets should not occur within 1 to 6 counts following the count value at which Auto Reset occurs. In Reset to Zero modes with positive preset values, this would apply to count values between 0 and 6. For Reset to*

Preset or Counter Load modes, it would apply to preset value between 0 to 6 less than the Preset 2 value (when positive).

- 2. For Auto Reset modes, no other count presets should be set to the same count value at which Auto Reset occurs (Preset 2 or Zero for Reset to Preset or Counter Load mode). If they are, only the auto reset output will activate. If the process counter is set to Auto Reset at OUT1 & 2, and other Presets are the same as Preset 2 (or Zero for Reset to Preset mode), only Output 2 will activate. If the unit is set to Auto Reset at OUT1, only Outputs 1 and 2 will activate.*

BATCH RESET ACTION (BAT. RST)

The Batch count display can be reset to Zero, Preset 4, or to the Counter Load value. The display can be reset automatically or by a User Input. Reset by User Input can be a Maintained or Momentary reset (See Program User Module for details). Automatic reset is covered in the next section.

TO ZERO

The Batch Counter Display value returns to zero.

TO P4 (PRESET 4)

The Batch Counter Display value returns to the Preset 4 value. Output 4 triggers when the count reaches zero.

TO CT LD (COUNTER LOAD)

The Batch Counter Display value returns to the Counter Load value.

Note: The Counter Load reset action should be programmed for only one count display, either the process count or the batch count.

BATCH AUTOMATIC RESET (B AUTO. RS)

The Automatic reset mode can be enabled or disabled. The Batch Counter display automatically resets to the programmed reset action, when one of the automatic reset modes is selected. A manual reset by a User Input causes the count to reset regardless of the automatic reset mode. The following choices are available:

OUT3 (Reset at Beginning Of Output 3)

The batch counter resets when the count equals the preset 3 value. Output 3 can be timed or latched.

OUT3END (Reset at End Of Timed Output 3)

The batch counter resets after output 3 has timed out.

OUT4 (Reset at Beginning Of Output 4)

The batch counter resets when the count equals preset 4, or zero (Reset to P4). Output 4 can be timed or latched.

OUT4END (Reset at End Of Timed Output 4)

The batch counter resets after output 4 has timed out.

OUT3&4 (Reset at Beginning Of Output 3 or Output 4)

The batch counter resets when the count equals preset 3, preset 4, or zero (Reset to P4). Outputs 3 and 4 can be Timed or Latched.

OUT3&4E (Reset at End Of Timed Output 3 or Output 4)

The batch counter resets after output 3 or output 4 has timed out.

TOTAL RESET ACTION (TOT. RST.)

The Total count display can be reset to Zero, or to Preset 3. Output 3 must be set to Total for P3 to be selected. The method of reset is by User Input. The User Input can be set for a Momentary or Maintained reset (See Program User Module for details).

TO ZERO

The Total Count Display value returns to Zero. In this mode, the Total count direction is up.

TO P3 (PRESET 3)

The Total Count Display value returns to the Preset 3 value. Output 3 triggers when the count reaches zero. In this mode, the Total count direction is down.

USER INPUT NUMBER (0=INACTIVE, 1=ACTIVE)				MESSAGE REQUESTED
4	3	2	1	
0	0	0	0	NONE
0	0	0	1	MESSAGE #1
0	0	1	0	MESSAGE #2
0	0	1	1	MESSAGE #3
0	1	0	0	MESSAGE #4
0	1	0	1	MESSAGE #5
0	1	1	0	MESSAGE #6
0	1	1	1	MESSAGE #7
1	0	0	0	MESSAGE #8
1	0	0	1	MESSAGE #9

USR.IN 1-4

NO MODE

If a User Input terminal or a Function key is activated, it is ignored.

MAINTAINED RESET (MNT RST)

Maintained reset has six selectable options. Any or all can be selected in the edit menu by selecting YES or NO using the UP and DOWN arrow keys.

RATE: Resets the measurement period. The Rate display value is the last reading obtained before the reset. The next reading occurs after the release of the reset and the expiration of the measurement period. The Rate display does not reset to zero.

PEAK: Resets the Peak value to the current rate value.

VALLEY: Resets the Valley value to the current rate value.

PROCESS: Resets the process count value according to the programmed reset action.

BATCH: Resets the batch count value according to the programmed reset action.

TOTAL: Resets the total count value according to the programmed reset action.

With Maintained reset, the value continuously resets as long as the User Input or Function Key is active. Maintained reset is level sensitive and overrides an automatic reset mode.

MOMENTARY RESET (MOM RST)

Momentary reset has the same six selectable options as Maintained Reset. With Momentary reset, the value resets when the User Input or Function Key is activated. The value starts updating (counting), even if the User Input or Function Key is still active. Momentary reset is negative edge sensitive and overrides an automatic reset mode.

RESET OUTPUT (RST OUT)

The operator can select to have any or all of the Outputs, 1 through 4, reset. If the output is active, it resets to its inactive state when the User Input or Function Key is activated. This is a momentary reset.

Note: The Inactive State of an output can be ON or OFF depending on the Phase programmed in the Program Outputs Module.

SET OUTPUT (SET OUT)

The operator can select to have any or all of the Outputs, 1 through 4, set. If the output is inactive, it goes (sets) to its active state when the User Input or Function Key is activated. If an output is programmed for a time delay, the output does NOT latch, but times out after the time delay value expires. This is a momentary reset.

Note: The Active state of an output can be ON or OFF depending on the Phase programmed in the Program Outputs Module.

VIEW/FREEZE DISPLAY (VIEW DS1)

When View Display is activated, the programmed indication display is viewed and the numeric value for that display is held. This is a maintained action. If the operator is in the main display loop, the unit advances to the indication display to be viewed. If more than one User Input is programmed for this option, the input with the highest priority is the only one that holds (freezes) the display and advances from the main display loop. Any other User Input programmed only advances in the indication display loop. The priority order is USR INP4, USR INP3, USR INP2, USR INP1, F2, and F1 with USR INP4 the highest priority. DS1 selects display 1, DS2 display 2, etc. The values that are viewed/frozen on the display are determined by what is selected in the Program Displays Module.

Activation of a User Input programmed for View Display will suspend any displayed message for 2.5 seconds. The User Input has a higher priority in this instance.