



Chipsmall Limited consists of a professional team with an average of over 10 year of expertise in the distribution of electronic components. Based in Hongkong, we have already established firm and mutual-benefit business relationships with customers from,Europe,America and south Asia,supplying obsolete and hard-to-find components to meet their specific needs.

With the principle of “Quality Parts,Customers Priority,Honest Operation,and Considerate Service”,our business mainly focus on the distribution of electronic components. Line cards we deal with include Microchip,ALPS,ROHM,Xilinx,Pulse,ON,Everlight and Freescale. Main products comprise IC,Modules,Potentiometer,IC Socket,Relay,Connector.Our parts cover such applications as commercial,industrial, and automotives areas.

We are looking forward to setting up business relationship with you and hope to provide you with the best service and solution. Let us make a better world for our industry!



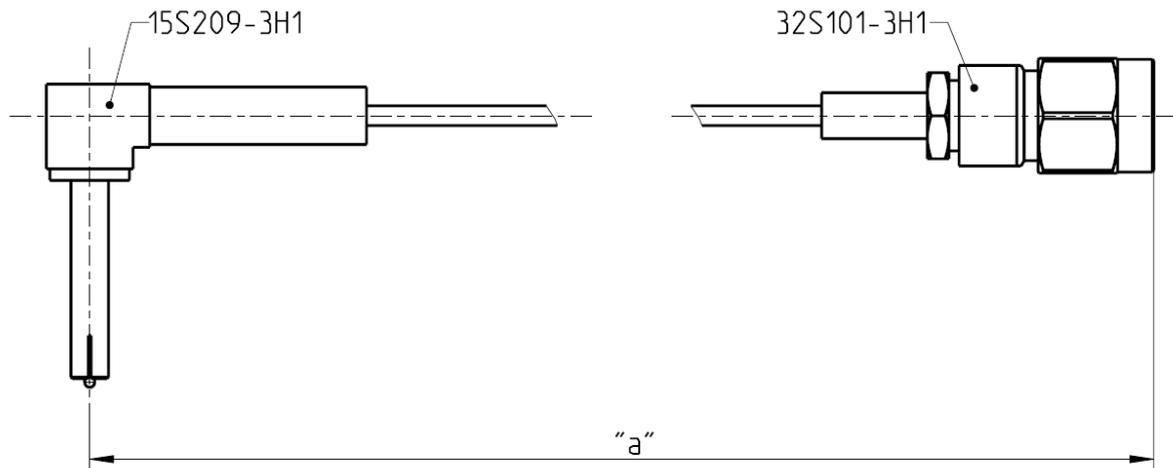
## Contact us

Tel: +86-755-8981 8866 Fax: +86-755-8427 6832

Email & Skype: info@chipsmall.com Web: www.chipsmall.com

Address: A1208, Overseas Decoration Building, #122 Zhenhua RD., Futian, Shenzhen, China





All dimensions are in mm; tolerances according to ISO 2768 m-H

**Interface**

According to 15K101-40M  
IEC 60169-15

**Suitable cables**

RTK 013, cable group H1  
Micro coax cable d=1.37mm, center conductor AWG30  
Connector are only sold with cable  
Minimum bending radius single 4x  $\varnothing$   
Minimum bending radius repeated 8x  $\varnothing$

**Documents**

Technical data sheet Micro RF plug 15S209-3H1E4  
Technical data sheet SMA plug 32S101-3H1L5  
Technical data sheet cable RTK 013

**Available Variants**

Type	Length a [mm]	Weight [g]
LH1-021-100	100	4.5
LH1-021-300	300	8.2
LH1-021-600	600	9.6

Standard length available and customized length on request

**Electrical data**

Impedance 50  $\Omega$   
Frequency DC to 6 GHz  
Return loss (Simulated)  $\leq$  -25 dB at 2 GHz  
 $\leq$  -22 dB at 3 GHz  
 $\leq$  -16 dB at 6 GHz  
Insulation resistance  $\geq$  0.5 x10<sup>3</sup> M $\Omega$   
Center contact resistance  $\leq$  50 m $\Omega$   
Outer contact resistance  $\leq$  50 m $\Omega$   
Working voltage 4 V

Dieses Dokument ist urheberrechtlich geschützt • This document is protected by copyright • Rosenberger Hochfrequenztechnik GmbH & Co. KG

RF\_35/09.14/6.2

**Mechanical data**

Mating form	Snap-on
Mating cycles	> 10,000
Mating force	< 6N
Unmating force	> 7N

**Environmental data**

Temperature range	-40°C to +90°C
2002/95/EC (RoHS)	compliant

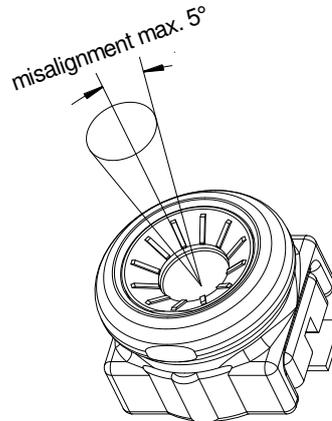
**Cables**

Cable group H1	Micro coax cable H1 (RTK 013) Center conductor AWG 30
----------------	--

**Mating and un-mating**

For the reliable mating and un-mating follow the precautions :

1. The vertical mating axis of the PCB receptacle and the adapter has to be aligned during the connecting and a hearable click will confirm that the connectors are mated correctly.
2. The disconnection of the 2 connectors is carried out by vertical pulling of the adapter.
3. The connectors should not be mated under an extreme angle.
4. The mating force should be in the limits  $5\text{ N} \leq F \leq 10\text{ N}$



**Packing**

Standard	1 pcs. in plastic bag
----------	-----------------------

While the information has been carefully compiled to the best of our knowledge, nothing is intended as representation or warranty on our part and no statement herein shall be construed as recommendation to infringe existing patents. In the effort to improve our products, we reserve the right to make changes judged to be necessary.

Draft	Date	Approved	Date	Rev.	Engineering change number	Name	Date
F. Michelmann	09.05.07	C. Kainzmaier	08.06.18	d00	18-0940	M. Margardt	08.06.18

Rosenberger Hochfrequenztechnik GmbH & Co. KG P.O.Box 1260 D-84526 Tittmoning Germany <a href="http://www.rosenberger.de">www.rosenberger.de</a>					Tel. : +49 8684 18-0 Email : <a href="mailto:info@rosenberger.de">info@rosenberger.de</a>		Page 2 / 2
--	--	--	--	--	--	--	---------------