



Chipsmall Limited consists of a professional team with an average of over 10 year of expertise in the distribution of electronic components. Based in Hongkong, we have already established firm and mutual-benefit business relationships with customers from,Europe,America and south Asia,supplying obsolete and hard-to-find components to meet their specific needs.

With the principle of “Quality Parts,Customers Priority,Honest Operation,and Considerate Service”,our business mainly focus on the distribution of electronic components. Line cards we deal with include Microchip,ALPS,ROHM,Xilinx,Pulse,ON,Everlight and Freescale. Main products comprise IC,Modules,Potentiometer,IC Socket,Relay,Connector.Our parts cover such applications as commercial,industrial, and automotives areas.

We are looking forward to setting up business relationship with you and hope to provide you with the best service and solution. Let us make a better world for our industry!



Contact us

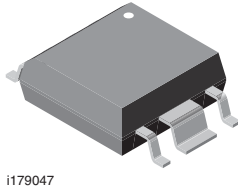
Tel: +86-755-8981 8866 Fax: +86-755-8427 6832

Email & Skype: info@chipsmall.com Web: www.chipsmall.com

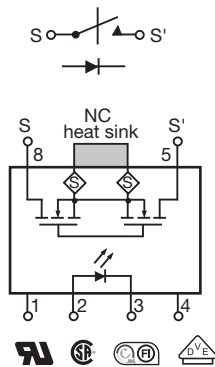
Address: A1208, Overseas Decoration Building, #122 Zhenhua RD., Futian, Shenzhen, China



1 Form A SOP Solid-State Relay



i179047



FEATURES

- High-speed operation
- Isolation test voltage 2500 V_{RMS}
- Current-limit protection
- High surge capability
- Clean, bounce-free switching
- Extremely low power consumption
- High-reliability monolithic detector
- Surface-mountable
- Compliant to RoHS Directive 2002/95/EC and in accordance to WEEE 2002/96/EC



RoHS
COMPLIANT

DESCRIPTION

The LH1540 relay is an SPST normally open switch (1 form A) in small-outline packages (SOP). It requires a minimal amount of LED drive current to operate, making them ideal for battery powered and power consumption sensitive applications.

The relays are constructed using a GaAlAs LED for actuation control and an integrated monolithic die for the switch output. The die, fabricated in a high-voltage dielectrically isolated BCDMOS technology, is comprised of a photodiode array, switch-control circuitry, and MOSFET switches. In addition, the relays employ current-limiting circuitry enabling it to pass lightning surge testing as per ANSI/TIA-968-B and other regulatory surge requirements when overvoltage protection is provided.

APPLICATIONS

- PCMCIA type 2 cards
- Battery powered switch applications
- General telecom switching
- Telephone line interface
 - On/off hook
 - Ring relay
 - Ground start
- Programmable controllers
- Instrumentation

AGENCY APPROVALS

UL1577: file no. E52744 system code S
 CSA: certification 093751
 DIN EN: 60747-5-2 (VDE 0884)/60747-5-5 (pending), available with option 1
 FIMKO: approval

| ORDERING INFORMATION | | | | | | | | | | | |
|----------------------|---|---|---|---|---|-----------------------|--------------------|------------------|---|-------|--|
| L | H | 1 | 5 | 4 | 0 | A | C | D | T | R | |
| PART NUMBER | | | | | | ELECTR. VARIATION | PACKAGE CONFIG. | TAPE AND REEL | | SOP-# | |
| PACKAGE | | | | | | UL, CSA, FIMKO | | | | | |
| SOP-8, tubes | | | | | | LH1540ACD | | | | | |
| SOP-8, tape and reel | | | | | | LH1540ACDTR | | | | | |



| ABSOLUTE MAXIMUM RATINGS (T _{amb} = 25 °C, unless otherwise specified) | | | | |
|---|------------------------|-------------------|---------------|------------------|
| PARAMETER | TEST CONDITION | SYMBOL | VALUE | UNIT |
| INPUT | | | | |
| LED input ratings: continuous forward current | | I _F | 50 | mA |
| LED input ratings: reverse voltage | | V _R | 5 | V |
| OUTPUT | | | | |
| Output operation: DC or peak ac load voltage | I _L ≤ 50 μA | V _L | 350 | V |
| Continuous DC load current: one pole operating | | I _L | 110 | mA |
| SSR | | | | |
| Ambient operating temperature range | | T _{amb} | - 40 to + 85 | °C |
| Storage temperature range | | T _{stg} | - 55 to + 150 | °C |
| Pin soldering temperature | t = 5 s max | T _{sld} | 260 | °C |
| Input/output isolation voltage | | V _{ISO} | 2500 | V _{RMS} |
| Power dissipation | | P _{diss} | 550 | mW |
| Thermal resistance, junction to ambient | | R _{thja} | 200 | C/W |

Note

- Stresses in excess of the absolute Maximum Ratings can cause permanent damage to the device. Functional operation of the device is not implied at these or any other conditions in excess of those given in the operational sections of this document. Exposure to absolute Maximum Ratings for extended periods of time can adversely affect reliability.

| ELECTRICAL CHARACTERISTICS (T _{amb} = 25 °C, unless otherwise specified) | | | | | | |
|---|---|-------------------|-------|------|------|------|
| PARAMETER | TEST CONDITION | SYMBOL | MIN. | TYP. | MAX. | UNIT |
| INPUT | | | | | | |
| LED forward current for switch turn-on | I _L = 100 mA, t = 10 ms | I _{Fon} | | 0.6 | 1 | mA |
| LED forward current for switch turn-off | V _L = ± 300 V, t = 100 ms | I _{Foff} | 0.001 | 0.1 | | mA |
| LED forward voltage | I _F = 1.5 mA | V _F | 0.80 | 1.15 | 1.40 | V |
| OUTPUT | | | | | | |
| On-resistance: pin 5 (±) to 8 (±) | I _F = 1.5 mA, I _L = ± 50 mA | R _{ON} | 12 | 18 | 25 | Ω |
| Current limit | I _F = 1.5 mA, t = 5 ms, V _L = 7 V | I _{LMT} | 170 | 210 | 270 | mA |
| Output off-state leakage current | I _F = 0 mA, V _L = ± 100 V | | | 0.7 | 200 | nA |
| | I _F = 0 mA, V _L = ± 350 V | | | | 1 | μA |

Note

- Minimum and maximum values are testing requirements. Typical values are characteristics of the device and are the result of engineering evaluations. Typical values are for information only and are not part of the testing requirements.

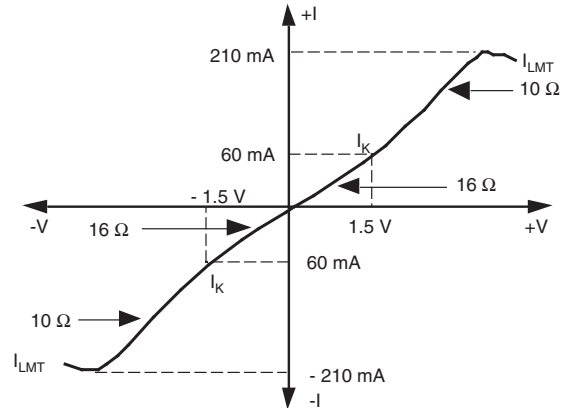
| SWITCHING CHARACTERISTICS (T _{amb} = 25 °C, unless otherwise specified) | | | | | | |
|--|---|------------------|------|------|------|------|
| PARAMETER | TEST CONDITION | SYMBOL | MIN. | TYP. | MAX. | UNIT |
| Turn-on time | I _F = 1.5 mA, I _L = 50 mA | t _{on} | | 0.6 | | ms |
| | I _F = 5 mA, I _L = 50 mA | t _{on} | | 0.3 | 1 | ms |
| Turn-off time | I _F = 1.5 mA, I _L = 50 mA | t _{off} | | 0.7 | | ms |
| | I _F = 5 mA, I _L = 50 mA | t _{off} | | 0.7 | 1.2 | ms |

| RECOMMENDED OPERATING CONDITIONS | | | | | | |
|--|---------------------------------------|------------------|------|------|------|------|
| PARAMETER | TEST CONDITION | SYMBOL | MIN. | TYP. | MAX. | UNIT |
| LED forward current for switch turn-on | T _{amb} = - 40 °C to + 85 °C | I _{Fon} | 1.5 | | 20 | mA |



FUNCTIONAL DESCRIPTION

Figure 1 shows the switch characteristics of the relays. The relay exhibits an on-resistance that is exceptionally linear through the origin and up to the knee current (I_K). Beyond I_K , the incremental resistance decreases, minimizing internal power dissipation. Overload currents are clamped at I_{LMT} by the internal current-limit circuitry. The current-limiting circuitry exhibits a negative temperature coefficient, thereby reducing the current-limit value when relay temperature is increased. An extended clamp condition, which increases relay temperature, decreases the current-limit value, resulting in a current fold back characteristic. When the overload is removed, the relay resumes its normal on-resistance characteristic.

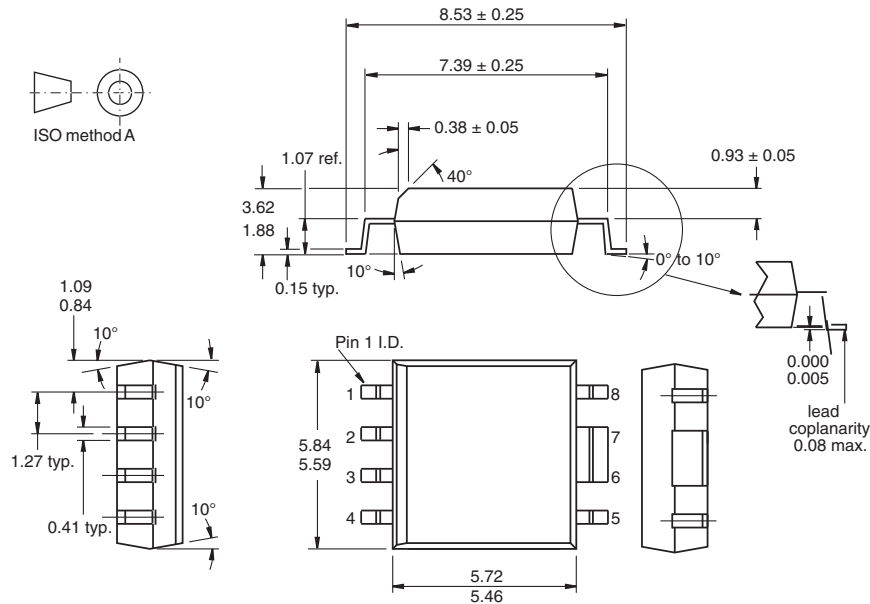


ilh1540acd_01

Fig. 1 - Typical AC/DC on Characteristics

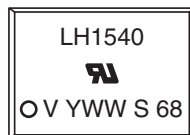
In a 1 form A relay, to turn the relay on, forward current is applied to the LED. The amount of current applied determines the amount of light produced for the photodiode array. This photodiode array develops a drive voltage for the MOSFET switch outputs. For high temperature or high-load current operations, more LED current is required.

PACKAGE DIMENSIONS in millimeters



i178023

PACKAGE MARKING (example)



Note

- Tape and reel suffix (TR) is not part of the package marking.



Disclaimer

ALL PRODUCT, PRODUCT SPECIFICATIONS AND DATA ARE SUBJECT TO CHANGE WITHOUT NOTICE TO IMPROVE RELIABILITY, FUNCTION OR DESIGN OR OTHERWISE.

Vishay Intertechnology, Inc., its affiliates, agents, and employees, and all persons acting on its or their behalf (collectively, "Vishay"), disclaim any and all liability for any errors, inaccuracies or incompleteness contained in any datasheet or in any other disclosure relating to any product.

Vishay makes no warranty, representation or guarantee regarding the suitability of the products for any particular purpose or the continuing production of any product. To the maximum extent permitted by applicable law, Vishay disclaims (i) any and all liability arising out of the application or use of any product, (ii) any and all liability, including without limitation special, consequential or incidental damages, and (iii) any and all implied warranties, including warranties of fitness for particular purpose, non-infringement and merchantability.

Statements regarding the suitability of products for certain types of applications are based on Vishay's knowledge of typical requirements that are often placed on Vishay products in generic applications. Such statements are not binding statements about the suitability of products for a particular application. It is the customer's responsibility to validate that a particular product with the properties described in the product specification is suitable for use in a particular application. Parameters provided in datasheets and / or specifications may vary in different applications and performance may vary over time. All operating parameters, including typical parameters, must be validated for each customer application by the customer's technical experts. Product specifications do not expand or otherwise modify Vishay's terms and conditions of purchase, including but not limited to the warranty expressed therein.

Except as expressly indicated in writing, Vishay products are not designed for use in medical, life-saving, or life-sustaining applications or for any other application in which the failure of the Vishay product could result in personal injury or death. Customers using or selling Vishay products not expressly indicated for use in such applications do so at their own risk. Please contact authorized Vishay personnel to obtain written terms and conditions regarding products designed for such applications.

No license, express or implied, by estoppel or otherwise, to any intellectual property rights is granted by this document or by any conduct of Vishay. Product names and markings noted herein may be trademarks of their respective owners.