



Chipsmall Limited consists of a professional team with an average of over 10 year of expertise in the distribution of electronic components. Based in Hongkong, we have already established firm and mutual-benefit business relationships with customers from,Europe,America and south Asia,supplying obsolete and hard-to-find components to meet their specific needs.

With the principle of “Quality Parts,Customers Priority,Honest Operation,and Considerate Service”,our business mainly focus on the distribution of electronic components. Line cards we deal with include Microchip,ALPS,ROHM,Xilinx,Pulse,ON,Everlight and Freescale. Main products comprise IC,Modules,Potentiometer,IC Socket,Relay,Connector.Our parts cover such applications as commercial,industrial, and automotives areas.

We are looking forward to setting up business relationship with you and hope to provide you with the best service and solution. Let us make a better world for our industry!



Contact us

Tel: +86-755-8981 8866 Fax: +86-755-8427 6832

Email & Skype: info@chipsmall.com Web: www.chipsmall.com

Address: A1208, Overseas Decoration Building, #122 Zhenhua RD., Futian, Shenzhen, China



PYROELECTRIC DUAL ELEMENT DETECTORS FOR MOTION SENSING

PYROELECTRIC DETECTORS FOR MOTION SENSING ■

LHi 778, LHi 878, PYD 1388 – Low Cost Pyro



Applications

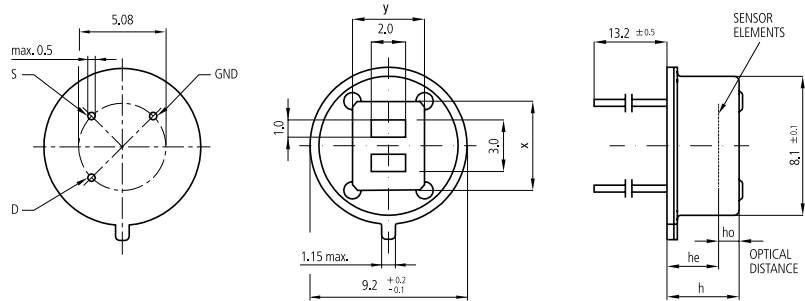
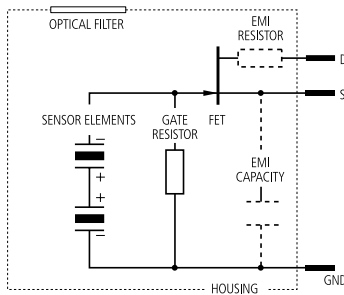
- Auto light switch
- Wall switch
- Auto lamps

Features and Benefits

- TO-5 metal housing
- Different window sizes
- EMI protection for PYD1388

Product Description

This low cost Dual Element detector range offers standard TO-5 housings with different window sizes. The LHi 778 has a smaller window for minimal cost. The PYD1388 has an additional EMI protection option.



All dimensions in mm

LHi 778, LHi 878, PYD 1388 – Low Cost Pyro

Parameter	Symbol	LHI 778	PYD 1388	LHI 878	Unit	Remark
Responsivity, min.	R_{min}	3.3	3.3	3.3	kV/W	$f = 1 \text{ Hz}$
Responsivity, typ.	R_{typ}	4.2	4.2	4.2	kV/W	$f = 1 \text{ Hz}$
Match, max.	M_{max}	10	10	10	%	
Noise, max.	N_{max}	50	50	50	μV_{pp}	0.4...10 Hz / 20°C
Noise, typ.	N_{typ}	20	20	20	μV_{pp}	0.4...10 Hz / 20°C
Spec. detectivity	D^*	20	20	20	$10^7 \text{ cm}^* \sqrt{\text{Hz/W}}$	1 Hz / 1 Hz BW / 20°C
Field of view, horizontal	FoV	71°	95°	95°		Unobstructed
Field of view, vertical	FoV	71°	87°	87°		Unobstructed
Source voltage		0.2 - 1.55	0.2 - 1.55	0.2 - 1.55	V	47 kΩ / 20°C / 5 V
Operating voltage		2.0... 12	2.0... 12	2.0... 12	V	47 kΩ / 20°C
EMI performance		*	**	**		
WLI			**	*		Excelitas tester
Height	h	4.2	4.2	4.2	mm	
Optical element location	he/ho	3.2/0.75	3.2/0.75	3.2/0.75	mm	
Filter size	X/Y	4/3	4.6/3.4	4.6/3.4	mm	

* Improved, ** Excellent