



Chipsmall Limited consists of a professional team with an average of over 10 year of expertise in the distribution of electronic components. Based in Hongkong, we have already established firm and mutual-benefit business relationships with customers from,Europe,America and south Asia,supplying obsolete and hard-to-find components to meet their specific needs.

With the principle of “Quality Parts,Customers Priority,Honest Operation,and Considerate Service”,our business mainly focus on the distribution of electronic components. Line cards we deal with include Microchip,ALPS,ROHM,Xilinx,Pulse,ON,Everlight and Freescale. Main products comprise IC,Modules,Potentiometer,IC Socket,Relay,Connector.Our parts cover such applications as commercial,industrial, and automotives areas.

We are looking forward to setting up business relationship with you and hope to provide you with the best service and solution. Let us make a better world for our industry!



Contact us

Tel: +86-755-8981 8866 Fax: +86-755-8427 6832

Email & Skype: info@chipsmall.com Web: www.chipsmall.com

Address: A1208, Overseas Decoration Building, #122 Zhenhua RD., Futian, Shenzhen, China



PYROELECTRIC DUAL ELEMENT DETECTORS FOR INTRUSION ALARM

PYROELECTRIC DETECTORS FOR INTRUSION ALARM ■

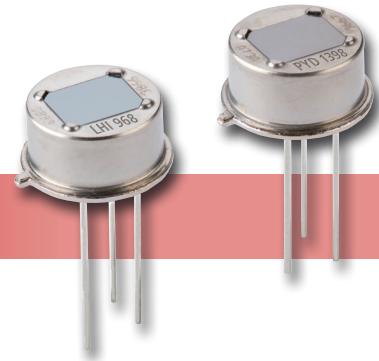
LHi 968, PYD 1398 – High-End Pyro

Applications

- Intrusion alarm
- High-end motion sensors

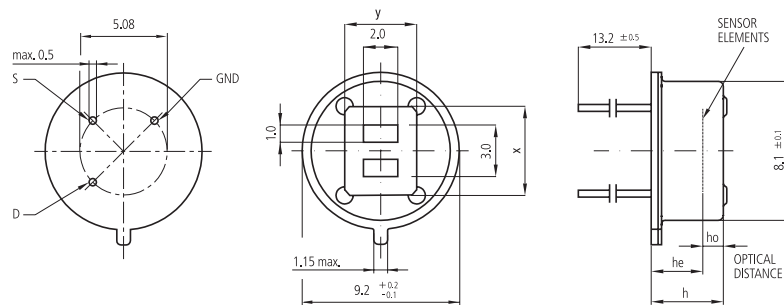
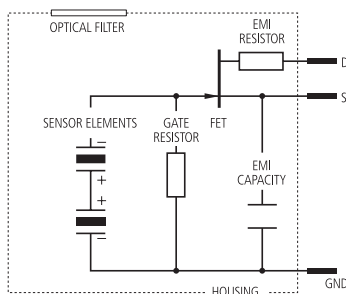
Features and Benefits

- TO-5 metal housing
- Improved EMI protection
- Improved WLI



Product Description

The LHi 968 series with standard Dual Element configuration is performance-proven in high-end applications. The LHi 968 design provides for a reduced sensitivity to EMI and excellent White Light Immunity (WLI). The PYD 1398 has higher RF immunity and is optionally available with grading for lower white light sensitivity.



All dimensions in mm

LHi 968, PYD 1398 – High-End Pyro

Parameter	Symbol	LHi 968	PYD 1398	Unit	Remark
Responsivity, min.	R_{min}	3.3	3.3	kV/W	$f = 1 \text{ Hz}$
Responsivity, typ.	R_{typ}	4.0	4.0	kV/W	$f = 1 \text{ Hz}$
Match, max.	M_{max}	10	10	%	
Noise, max.	N_{max}	50	50	μV_{pp}	0.4...10 Hz / 20° C
Noise, typ.	N_{typ}	20	20	μV_{pp}	0.4...10 Hz / 20° C
Spec. detectivity	D^*	19	19	$10^7 \text{ cm}^* \sqrt{\text{Hz/W}}$	1 Hz / 1 Hz BW / 20° C
Field of view, horizontal	FoV	100°	100°		Unobstructed
Field of view, vertical	FoV	100°	100°		Unobstructed
Source voltage		0.2 - 1.5	0.2 - 1.5	V	47 k Ω / 20° C / 5 V
Operating voltage		2.0... 12	2.0... 12	V	47 k Ω / 20° C
EMI performance		***	****		
WLI		***	****		
Height	h	4.2	4.2	mm	
Optical element location	he / ho	2.6 / 0.95	2.6 / 0.95	mm	
Filter size	X / Y	5.2 / 4.2	5.2 / 4.2	mm	

*** Improved, **** Excellent