



Chipsmall Limited consists of a professional team with an average of over 10 year of expertise in the distribution of electronic components. Based in Hongkong, we have already established firm and mutual-benefit business relationships with customers from,Europe,America and south Asia,supplying obsolete and hard-to-find components to meet their specific needs.

With the principle of “Quality Parts,Customers Priority,Honest Operation,and Considerate Service”,our business mainly focus on the distribution of electronic components. Line cards we deal with include Microchip,ALPS,ROHM,Xilinx,Pulse,ON,Everlight and Freescale. Main products comprise IC,Modules,Potentiometer,IC Socket,Relay,Connector.Our parts cover such applications as commercial,industrial, and automotives areas.

We are looking forward to setting up business relationship with you and hope to provide you with the best service and solution. Let us make a better world for our industry!



## Contact us

Tel: +86-755-8981 8866 Fax: +86-755-8427 6832

Email & Skype: info@chipsmall.com Web: www.chipsmall.com

Address: A1208, Overseas Decoration Building, #122 Zhenhua RD., Futian, Shenzhen, China





The LightHAWK2 Passive Infrared Wall Switch Sensor uses passive infrared (PIR) technology to detect motion. The most affordable of the motion detecting technologies, this sensor type is ideal for detecting large motion in areas with an unobstructed view of the sensor. This sensor has a coverage area of up to 1,000 square feet and 180° of detection.

LHIR sensors feature Hubbell Controls' patented IntelliDAPT™ technology, which makes all the sensor adjustment decisions automatically. Throughout the product's lifespan, smart software analyzes the controlled area and makes digital adjustments to sensitivity and timer settings. Occupancy sensors with IntelliDAPT technology provide a maintenance-free install-and-forget operation. With selectable operating modes — automatic ON/OFF or manual ON/automatic OFF — and a built-in photosensor for automatic daylight harvesting, LHIR sensors are the best choice in today's market place.

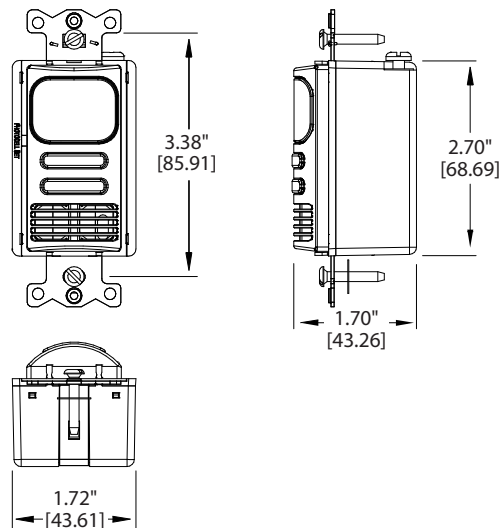
## Product Features

- Digital passive infrared (PIR) sensor
- IntelliDAPT self-adaptive technology—no manual adjustment required
- Dual circuit has isolated relays
- Occupancy (auto-on) and Vacancy (manual-on) operating modes
- Available with or without Neutral
- 1,000 square-foot, 180° coverage area
- RhinoTuff™ vandal resistant lens
- 120/277VAC operation
- No minimum load requirement
- Zero Arc Point Switching
- Five-year limited warranty
- 120-277 Vac and 347 Vac models
- Low voltage device: 24 VDC

## Compliance and Certification



## Dimensional Data

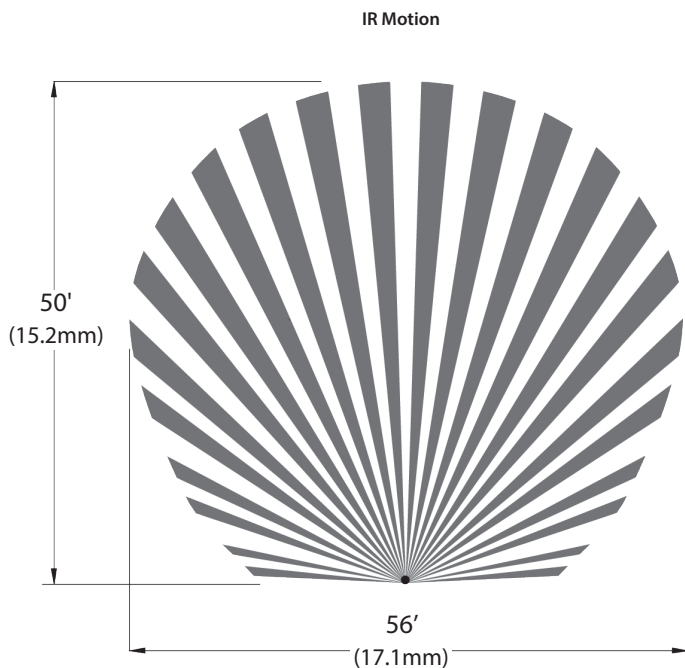


## Ordering Information

MODEL	WIRING	COLOR	MODE
<b>LHIRS0</b> Passive Infrared, Single Relay, No Button	<b>G</b> Ground (120/277V)	<b>WH</b> White	<b>(Blank)</b> Switchable Vacancy or Occupancy Mode
<b>LHIRS1</b> Passive Infrared, Single Relay, One Button	<b>N</b> Neutral (120/277V)	<b>IV</b> Ivory	<b>M</b> Vacancy Mode Only
<b>LHIRD0</b> Passive Infrared Technology, Dual Relay (One Input / Two Outputs), No Buttons	<b>24V*</b> Low Voltage	<b>LA</b> Light Almond	
<b>LHIRD2</b> Passive Infrared Technology, Dual Relay (One Input / Two Outputs), Two Buttons	<b>G347</b> Ground (347V)	<b>GY</b> Gray	
<b>LHDCIRD0</b> Passive Infrared Technology, Dual Circuit (Two Inputs / Two Outputs), No Buttons	<b>N347</b> Neutral (347V)	<b>BK</b> Black	
<b>LHDCIRD2</b> Passive Infrared Technology, Dual Circuit (Two Inputs / Two Outputs), Two Buttons			

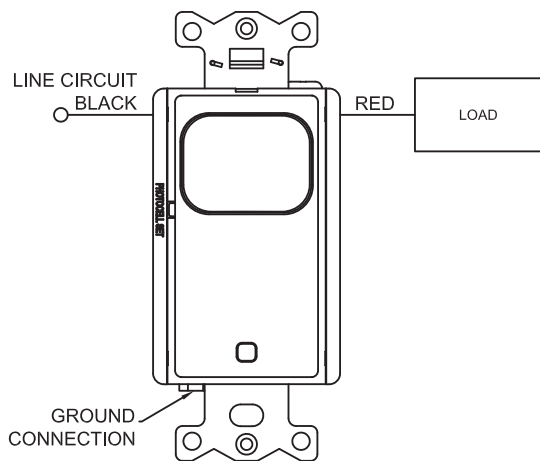
\*Not available with LHDCIRD versions  
-Low voltage sensors require a power pack that is sold separately

## Coverage Pattern

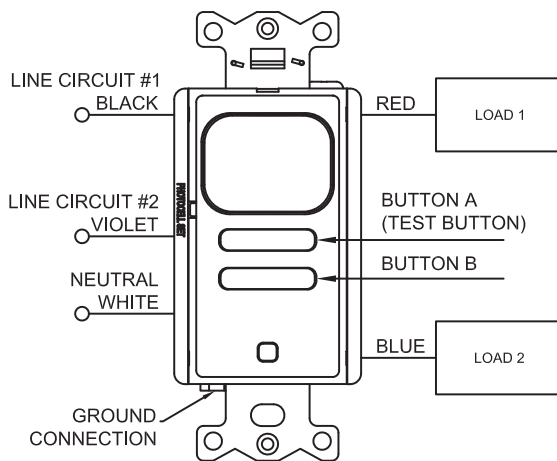


## Wiring Diagram

Single Load Wiring  
Without Neutral

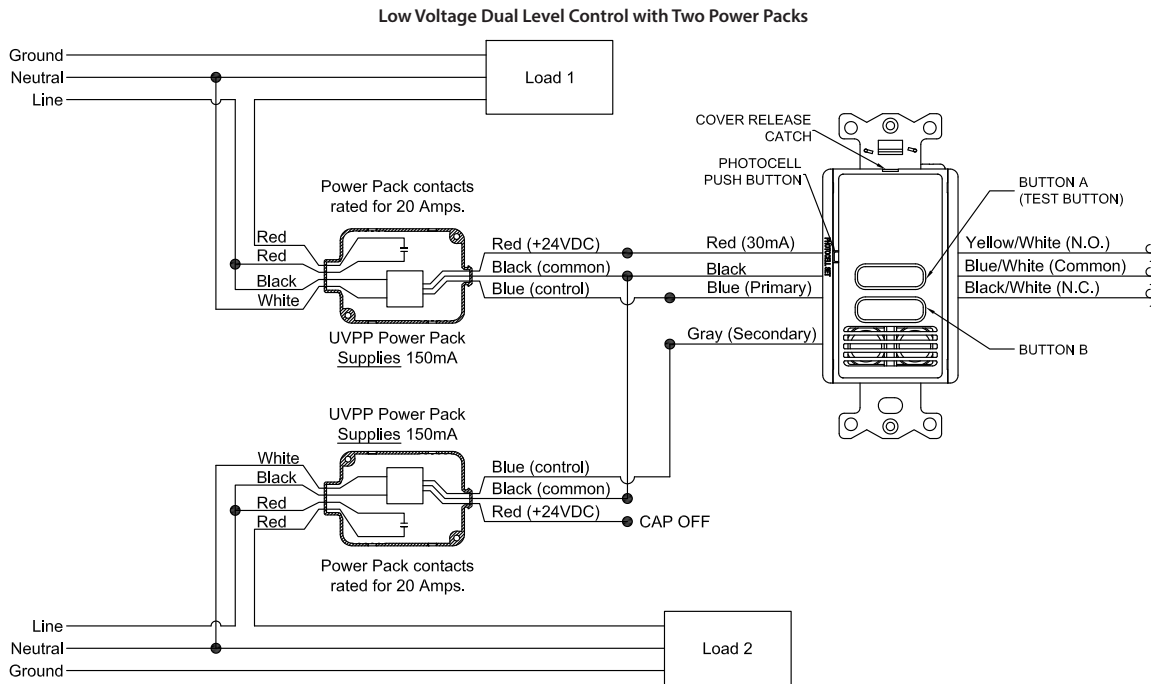


Dual Load Wiring  
With Neutral





## Wiring Diagrams



## General Specifications

IntelliDAPT Technology	Self-adjusting timer Self-adjusting passive infrared (PIR) sensitivity Automatic false-on/ false-off corrections No manual adjustments required
Time Delay	Auto mode: 4-30 minutes; self-adjusts based on occupancy Fixed mode: 4, 8, 15, and 30 minutes Test mode: 5 seconds
Passive Infrared (PIR)	Dual-element pyrometer and 12-element cylindrical RhinoTuff lens
Photocell	Natural light override range: 10-500 foot-candles
Coverage	1,000 square-foot, 180° coverage area
Power Requirements	120/277VAC; 50/60Hz 347VAC; 50/60Hz 24VDC (requires UVPP)
Electrical Ratings	120VAC: 800W Incandescent/ Electronic Ballast/ LED Driver: 1,000W Magentic Ballast 1/6 HP Motor 277VAC: 1,800W Magnetic Ballast/ Electronic Ballast/ LED Driver: 1/6 HP Motor 347VAC: 1,500W Magnetic Ballast/ Electronic Ballast/ LED Driver: 1/6 HP Motor
Minimum Load Requirement	None
Operating Environment	Indoor use only Operating temperature: 32° to 104°F (0° to 40°C) Relative humidity (non-condensing): 0% to 95%
Construction	Casing- high- Impact injection-molded plastic (UL-94-5V) Impact-resistant lens Color- coded leads are 6" (152.4mm) long Wrap-around galvanized steel mounting strap
Dimensions	4.2" H x 1.8" W x 1.75" D; .37" extension (106.69mm H x 44.45mm D; 9.40mm ext.)
Weight	2.9 oz (82.21g)
Color	White; Ivory; Light Almond; Gray; Black
Mounting	Single-gang NEMA-style switch box (standard switch box) Decorator-style wall plate sold separately
Certifications	Listed UL and cUL
Warranty	Five-year limited