



Chipsmall Limited consists of a professional team with an average of over 10 year of expertise in the distribution of electronic components. Based in Hongkong, we have already established firm and mutual-benefit business relationships with customers from,Europe,America and south Asia,supplying obsolete and hard-to-find components to meet their specific needs.

With the principle of “Quality Parts,Customers Priority,Honest Operation,and Considerate Service”,our business mainly focus on the distribution of electronic components. Line cards we deal with include Microchip,ALPS,ROHM,Xilinx,Pulse,ON,Everlight and Freescale. Main products comprise IC,Modules,Potentiometer,IC Socket,Relay,Connector.Our parts cover such applications as commercial,industrial, and automotives areas.

We are looking forward to setting up business relationship with you and hope to provide you with the best service and solution. Let us make a better world for our industry!



## Contact us

Tel: +86-755-8981 8866 Fax: +86-755-8427 6832

Email & Skype: info@chipsmall.com Web: www.chipsmall.com

Address: A1208, Overseas Decoration Building, #122 Zhenhua RD., Futian, Shenzhen, China



# Golden DRAGON® Engineering Kit Lens

## LK ACC W01



LKACCW01 abgekündigt nach OS-PD-2006-008- wird nicht ersetzt werden.

LKACCW01 obsolete acc. to OS-PD-2006-008- no replacement.

### Besondere Merkmale

- **Gehäusetyyp:** transparenter Halter
- **Abstrahlwinkel:** 5° / 32°
- **Besonderheiten des Bauteils:** Die neue FDG Linsen-Serie wurde speziell für die Kombination mit dem [Golden DRAGON® Engineering Kit](#) designed. Zwei verschiedene Typen werden unterstützt: Enger und weiter Abstrahlwinkel. Die hohe Effizienz erreicht 85% des gesamten Lichtstroms einer LED und ermöglicht damit, Standard Glühlampen und Halogen-Lichtquellen in Ihrem Lichtdesign zu ersetzen. Der Linsenhalter aus transparentem Polycarbonat sorgt für eine korrekte Anordnung von LED und Linse. Die Hitzeableitung garantiert eine hervorragende mechanische Festigkeit.
- **Besonderheiten des Lens Kit:** 4 FDG Linsen zur Nutzung mit dem Golden DRAGON® Engineering Kit
- **Verpackungseinheit:** 4 Linsen in jeder Verpackung (2x 5° und 2x 32°)

### Anwendungen

- Allgemeinbeleuchtung
- Leuchtspots
- Leselampen
- Zeichen
- Gebäudebeleuchtung
- Straßenbeleuchtung

### Features

- **package:** transparent holder
- **viewing angle:** 5° / 32°
- **feature of the device:** The new FDG Lenses Series has been specially designed to work with the [Golden DRAGON® engineering kit](#). Two different models are now supported: Narrow Beam and Wide Beam. The high efficiency reaches the 85% of the total flux emitted by the LED and allows to replace standard incandescent and halogen light sources in your light design. The lens holder made of transparent PC provides the proper alignment between LED and lens. The heat stake guarantees an excellent mechanical strength.
- **feature of the Lens Kit:** 4 FDG Lenses for use with the Golden DRAGON® engineering kit
- **packing:** four lenses per packing, two for 5° and two for 32° beam

### Applications

- general lighting
- spot light
- reading Lamps
- signs
- architectural Lighting
- street Lights

**Bestellinformation**  
**Ordering Information**

Typ	Emissions- farbe	Bestellnummer
Type	Color of Emission	Ordering Code
LK ACC W 01	colorless clear	Q 65110A2928

- LK ACC W01 abgekündigt nach OS-PD-2006-008 - wird nicht ersetzt werden.  
 LK ACC W01 obsolete acc. to OS-PD-2006-009 - no replacement.  
 Letzte Bestellung / Last Order: 15.04.2007  
 Letzte Lieferung / Last Delivery: 15.10.2007

Anm.: je 2 Linsen pro Abstrahlwinkel in jeder Verpackung (2x 5° und 2x 32°)

Note: two lenses per viewing angle per packing, two for 5° and two for 32° beam

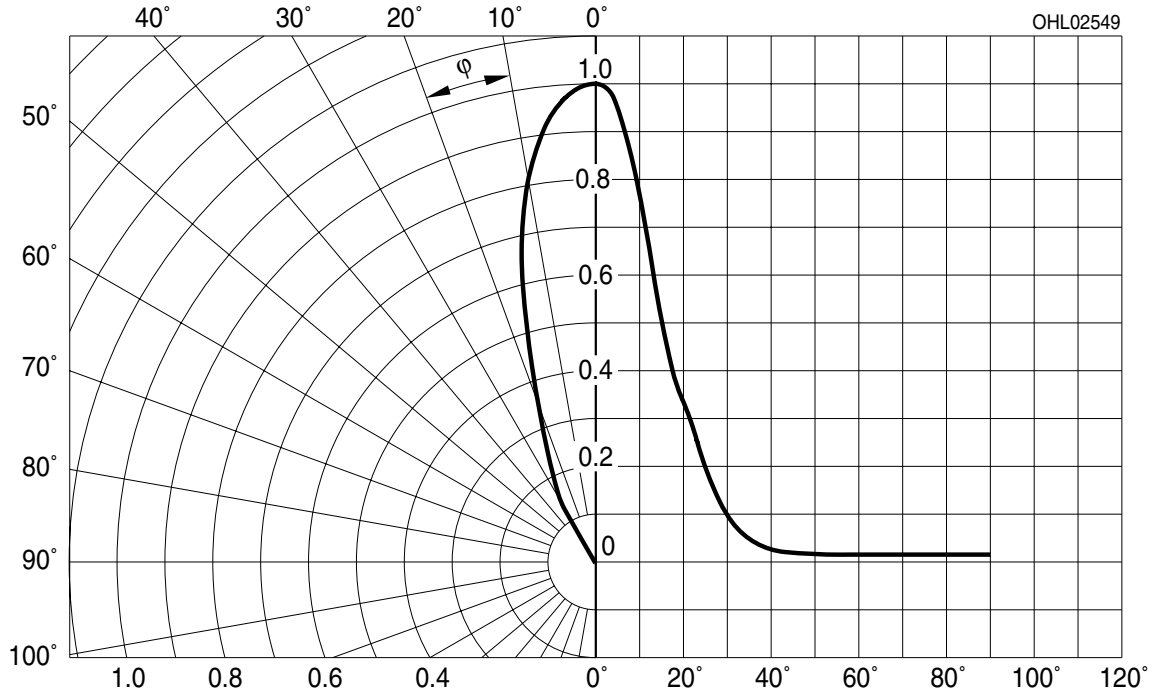
**Eigenschaften**
**Properties**

(T<sub>A</sub>=25°C)

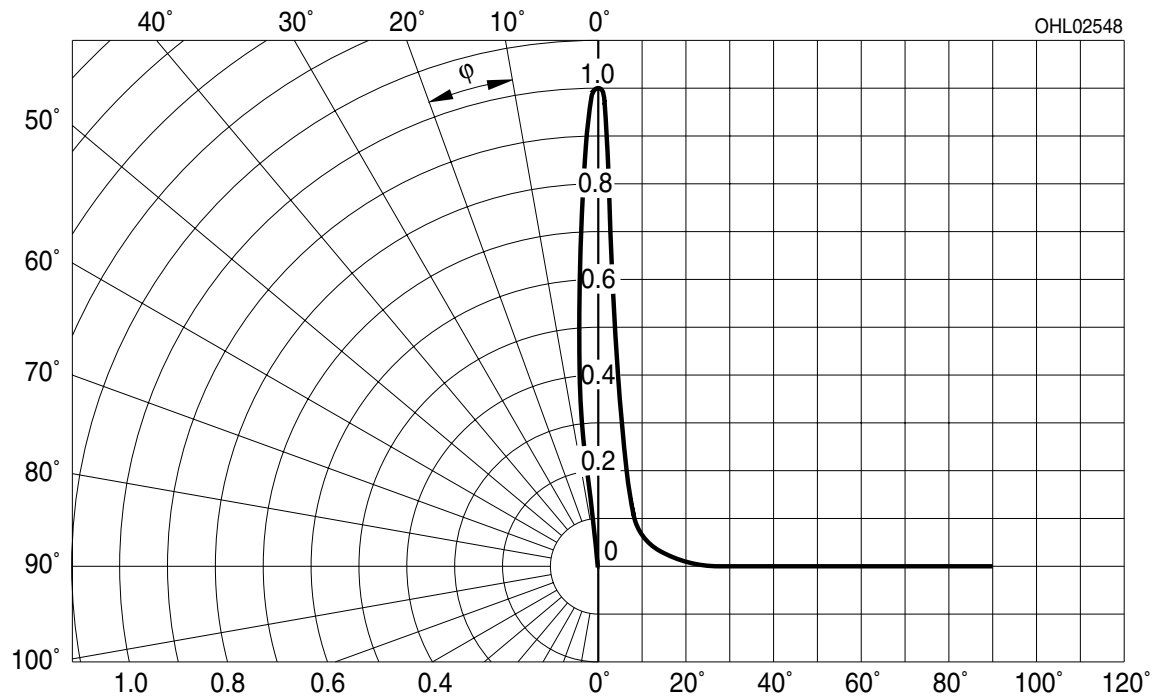
Bezeichnung Parameter	Symbol Symbol	Wert Value	Einheit Unit
Betriebstemperatur Operating temperature range	T <sub>op</sub>	- 40 ... + 80	°C
Lagertemperatur Storage temperature range	T <sub>stg</sub>	- 40 ... + 80	°C
Linsenmaterial Lens Material		Optical Grade PMMA	
Linsenhalter Material Holder Material		transparent PC	
Durchschnittliche Transmission im sichtbaren Bereich Average Transmittance in visible Spectrum (400 nm ... 700 nm)	τ <sub>opt.</sub>	> t.b.d.	%
Durchschnittliche Transmission im nahen UV Bereich Average Transmittance in near UV Spectrum (300 nm ... 380 nm)	τ <sub>UV.</sub>	> t.b.d.	%
Abstrahlwinkel bei 50 % I <sub>V</sub> (Vollwinkel) Viewing angle at 50 % I <sub>V</sub> Engwinklige Linse / Narrow angle lens	(typ.) 2φ	5	Grad deg.
Abstrahlwinkel bei 50 % I <sub>V</sub> (Vollwinkel) Viewing angle at 50 % I <sub>V</sub> Weitwinklige Linse / Wide angle lens	(typ.) 2φ	32	Grad deg.



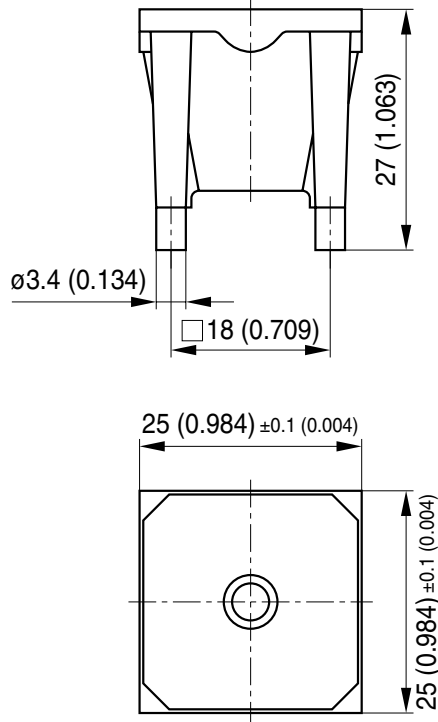
**Abstrahlcharakteristik<sup>2)</sup> Seite 5**  
**Radiation Characteristic<sup>2)</sup> page 6**  
 $I_{rel} = f(\varphi); T_A = 25\text{ °C}; 2\varphi = 32\text{ °}$



**Abstrahlcharakteristik<sup>2)</sup> Seite 5**  
**Radiation Characteristic<sup>2)</sup> page 6**  
 $I_{rel} = f(\varphi); T_A = 25\text{ °C}; 2\varphi = 5\text{ °}$

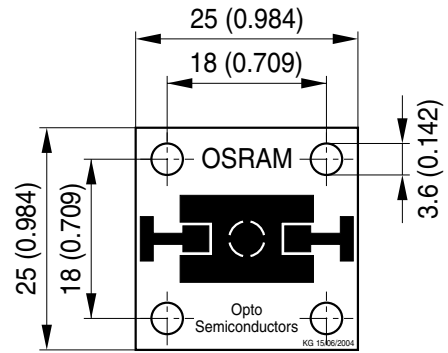


Maßzeichnung<sup>8)</sup> Seite 5  
 Package Outlines<sup>8)</sup> page 6



GPLY6129

Anm.: Entworfen zur einfachen Kombination mit dem Golden DRAGON® Engineering Kit.  
 Note: Specially designed for easy use with Golden DRAGON® engineering kit.



OHLP2509

**Revision History: 2006-10-04**

Previous Version: 2005-04-22

Page	Subjects (changes since last revision)	Date of change
2	Average Transmittance in visible Spectrum	2005-03-11
1, 2	Obsolete acc. to OS-PD-2006-008	2006-10-04

**Attention please!**

The information describes the type of component and shall not be considered as assured characteristics. Terms of delivery and rights to change design reserved. Due to technical requirements components may contain dangerous substances. For information on the types in question please contact our Sales Organization. If printed or downloaded, please find the latest version in the Internet.

**Packing**

Please use the recycling operators known to you. We can also help you – get in touch with your nearest sales office. By agreement we will take packing material back, if it is sorted. You must bear the costs of transport. For packing material that is returned to us unsorted or which we are not obliged to accept, we shall have to invoice you for any costs incurred.

**Components used in life-support devices or systems must be expressly authorized for such purpose!** Critical components<sup>9) page 6</sup> may only be used in life-support devices or systems<sup>10) page 6</sup> with the express written approval of OSRAM OS.

**Fußnoten:**

- 1) Maße werden wie folgt angegeben: mm (inch)
- 2) Ein kritisches Bauteil ist ein Bauteil, das in lebenserhaltenden Apparaten oder Systemen eingesetzt wird und dessen Defekt voraussichtlich zu einer Fehlfunktion dieses lebenserhaltenden Apparates oder Systems führen wird oder die Sicherheit oder Effektivität dieses Apparates oder Systems beeinträchtigt.
- 3) Lebenserhaltende Apparate oder Systeme sind für
  - (a) die Implantierung in den menschlichen Körper  
oder
  - (b) für die Lebenserhaltung bestimmt.
 Falls sie versagen, kann davon ausgegangen werden, dass die Gesundheit und das Leben des Patienten in Gefahr ist.

**Remarks:**

- 1) Dimensions are specified as follows: mm (inch)
- 2) A critical component is a component used in a life-support device or system whose failure can reasonably be expected to cause the failure of that life-support device or system, or to affect its safety or the effectiveness of that device or system.
- 3) Life support devices or systems are intended
  - (a) to be implanted in the human body,
  - or
  - (b) to support and/or maintain and sustain human life. If they fail, it is reasonable to assume that the health and the life of the user may be endangered.

**Published by**  
**OSRAM Opto Semiconductors GmbH**  
**Wernerwerkstrasse 2, D-93049 Regensburg**  
[www.osram-os.com](http://www.osram-os.com)

© All Rights Reserved.