



Chipsmall Limited consists of a professional team with an average of over 10 year of expertise in the distribution of electronic components. Based in Hongkong, we have already established firm and mutual-benefit business relationships with customers from,Europe,America and south Asia,supplying obsolete and hard-to-find components to meet their specific needs.

With the principle of “Quality Parts,Customers Priority,Honest Operation,and Considerate Service”,our business mainly focus on the distribution of electronic components. Line cards we deal with include Microchip,ALPS,ROHM,Xilinx,Pulse,ON,Everlight and Freescale. Main products comprise IC,Modules,Potentiometer,IC Socket,Relay,Connector.Our parts cover such applications as commercial,industrial, and automotives areas.

We are looking forward to setting up business relationship with you and hope to provide you with the best service and solution. Let us make a better world for our industry!



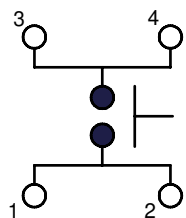
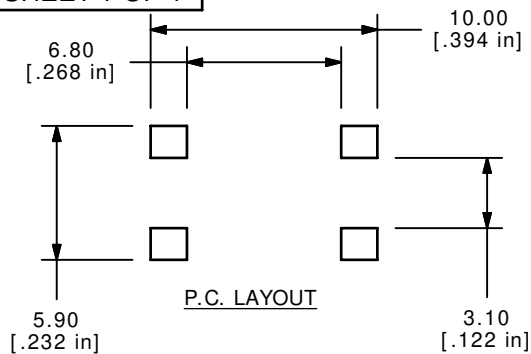
Contact us

Tel: +86-755-8981 8866 Fax: +86-755-8427 6832

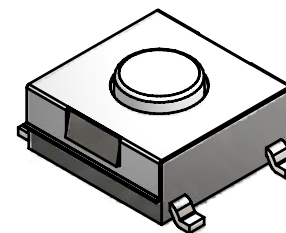
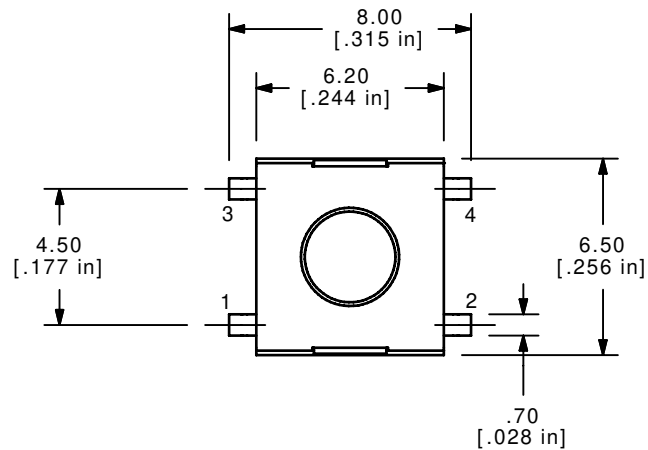
Email & Skype: info@chipsmall.com Web: www.chipsmall.com

Address: A1208, Overseas Decoration Building, #122 Zhenhua RD., Futian, Shenzhen, China





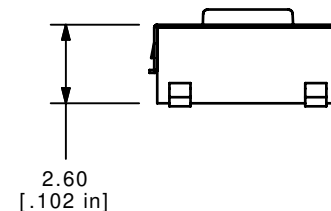
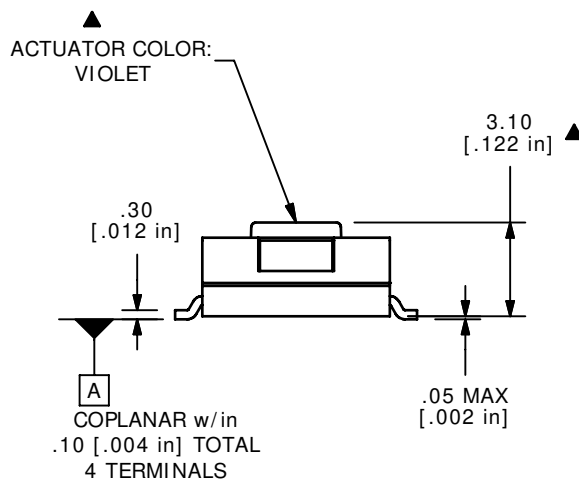
CIRCUIT: SPST



ISOMETRIC

NOTES:

1. ALL DIMENSIONS IN MM [INCH]
2. GENERAL TOLERANCE: X.X= ± 0.4
X.XX= ± 0.25
3. TERMINAL NUMBERS FOR REF ONLY.
4. RATING: 50mA, @ 12VDC
5. TRAVEL: 0.25 + 0.2mm / - 0.1mm
6. CONTACT RESISTANCE: 100mΩ MAX INITIAL.
7. LIFE EXPECTANCY: 5,000,000 CYCLES
8. INSULATION RESISTANCE: 100MΩ MIN.
9. DIELECTRIC STRENGTH: 250VAC
10. OPERATING TEMP: -20° C TO 70° C
11. CONTACTS: SILVER PLATED
- ▲12. OPERATING FORCE: 65 ± 15 gf
13. ▲ DENOTES CRITICAL PARAMETER.
- ▲14. PACKAGING: TAPE AND REEL, 1500 PIECES PER REEL
15. 2002/95/EC (ROHS) COMPLIANT
- ▲16. CONTACT HEIGHT DIFFERENCE TO BE .05+ 0.2/-0.0MM'S.



B	20586	Add note 16	5/1/12	rc
A	18367	RELEASE FOR PRODUCTION	12/26/08	BLR
REV	PCR NO	DESCRIPTION	DATE	BY

TITLE LL3303F065QG				
SCALE	DATE	DR	DWG	REV
4:1	12/26/2008	BLR	P090008	B

THE INFORMATION CONTAINED IN THIS DOCUMENT IS PROPRIETARY TO E-SWITCH AND IS NOT TO BE COPIED OR TRANSFERRED