



Chipsmall Limited consists of a professional team with an average of over 10 year of expertise in the distribution of electronic components. Based in Hongkong, we have already established firm and mutual-benefit business relationships with customers from,Europe,America and south Asia,supplying obsolete and hard-to-find components to meet their specific needs.

With the principle of "Quality Parts,Customers Priority,Honest Operation,and Considerate Service",our business mainly focus on the distribution of electronic components. Line cards we deal with include Microchip,ALPS,ROHM,Xilinx,Pulse,ON,Everlight and Freescale. Main products comprise IC,Modules,Potentiometer,IC Socket,Relay,Connector.Our parts cover such applications as commercial,industrial, and automotives areas.

We are looking forward to setting up business relationship with you and hope to provide you with the best service and solution. Let us make a better world for our industry!



Contact us

Tel: +86-755-8981 8866 Fax: +86-755-8427 6832

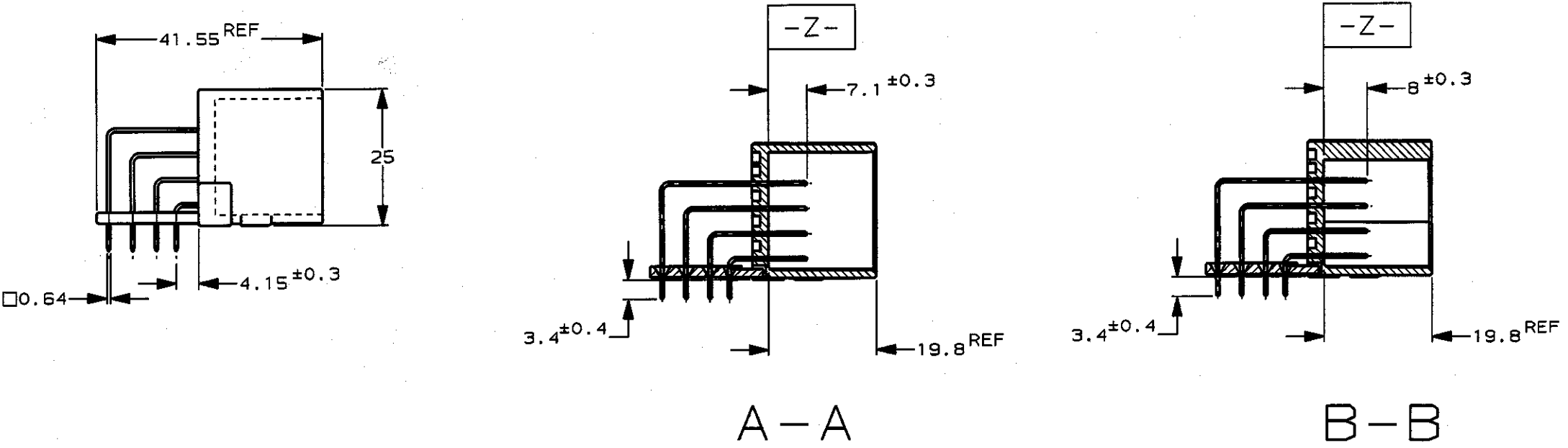
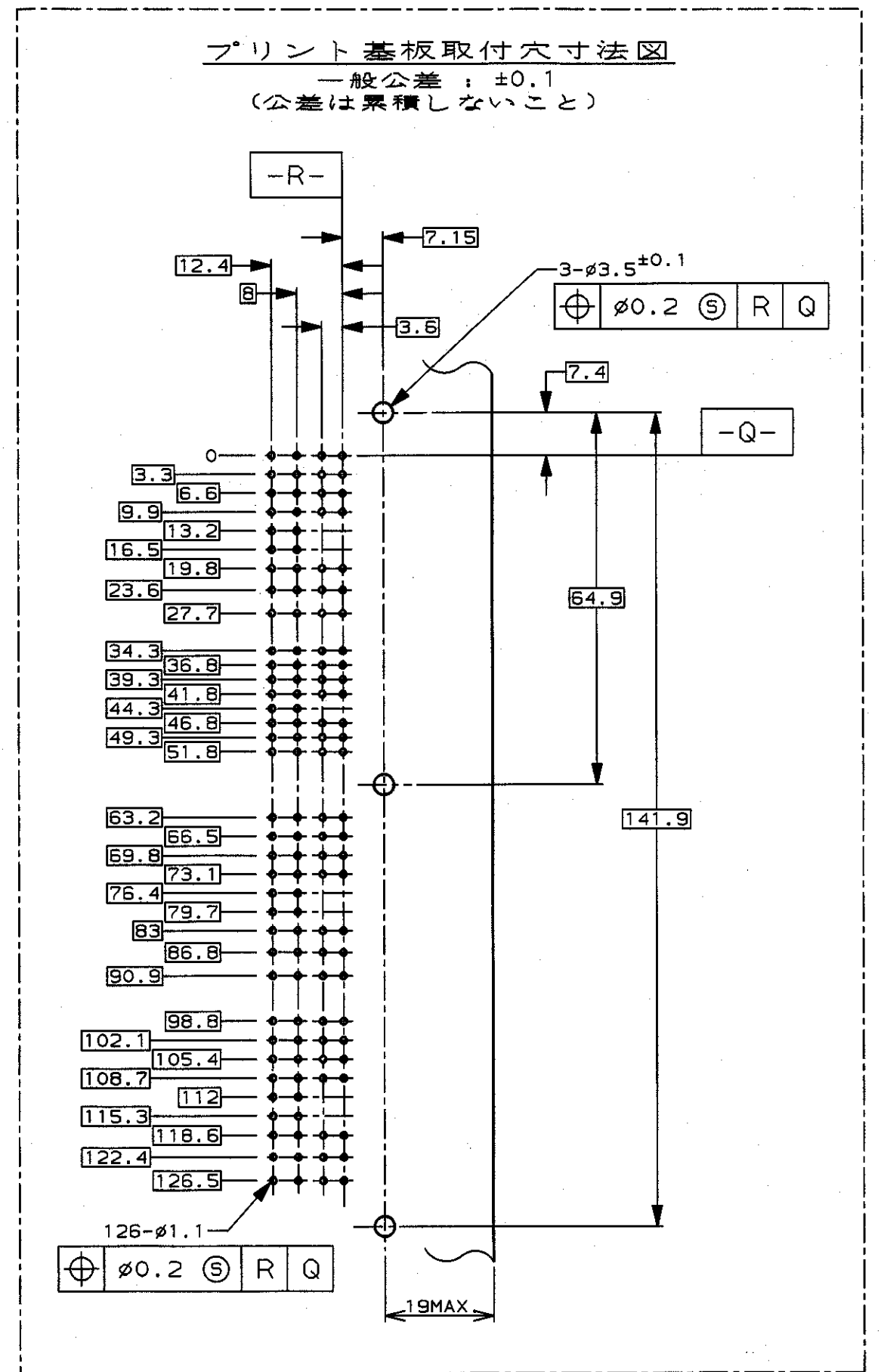
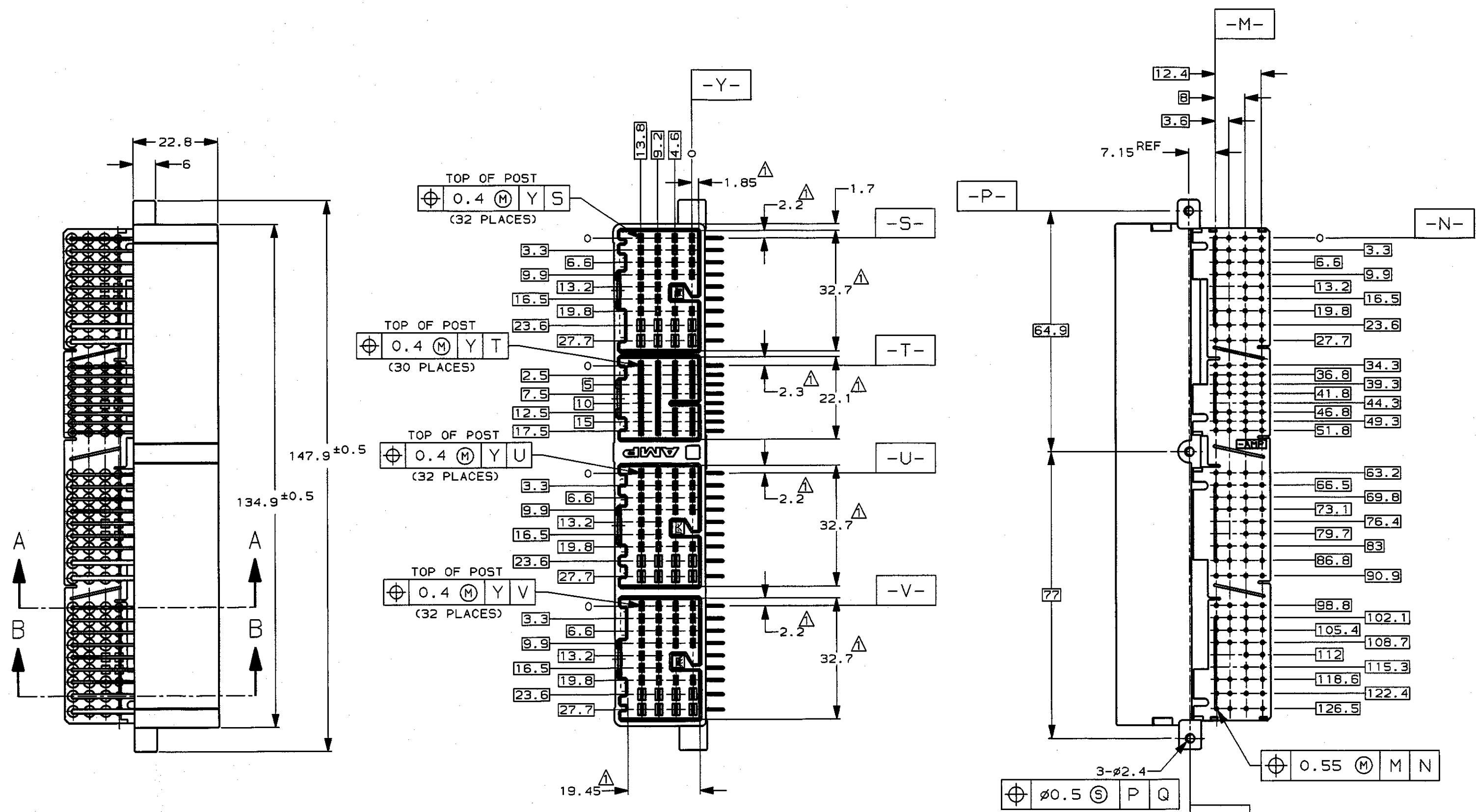
Email & Skype: info@chipsmall.com Web: www.chipsmall.com

Address: A1208, Overseas Decoration Building, #122 Zhenhua RD., Futian, Shenzhen, China



THIS DRAWING IS UNPUBLISHED. RELEASED FOR PUBLICATION .19
 © COPYRIGHT 19 BY AMP INCORPORATED. ALL RIGHTS RESERVED.

REVISIONS						
P	LTR	DESCRIPTION	ECN	DATE	DWN	APVD
0		作成 (RELEASED)	FJ00-1109-97	30JUL97	K.F	K.S
A		変更 (REVISED)	FJ00-0858-99	18MAY99	K.F	K.O



注記
 △ [-Z-] 面より8.5mmの位置で測定
 2 推奨取付ねじ: JIS B1115, B1122 タッピングねじ, なべ2種
 呼び径3, 長さ6mm以下 (締付けトルク: 0.4N.m (4Kg-cm) 以下)

NOTE
 △ MEASURED AT THE SECTION 8.5mm FROM [-Z-]
 2 RECOMMENDED SCREW: PAN-HEADED, TYPE 2 TAPPING SCREW
 OF 3D1A X 6LEN(MAX) (JIS B1115, B1122)
 (FASTENING TORQUE FOR SCREW: 0.4N.m (4Kg-cm) MAX)

THIS DRAWING IS A CONTROLLED DOCUMENT FOR AMP INCORPORATED. IT IS SUBJECT TO CHANGE AND THE CONTROLLING ENGINEERING ORGANIZATION SHOULD BE CONTACTED FOR THE LATEST REVISION.		DWN K. FUCHIBE 30JUL97	GRAY 灰色	1-353222-6
DIMENSIONS 単位: ㎜		CHK K. ODA 30JUL97	GRAY 灰色	353222-6
TOLERANCES UNLESS OTHERWISE SPECIFIED 一般公差 10㎜: ±0.2 3㎜: ±0.25 100㎜: ±0.3 ANGLE: ±3°		APVD K. SHIMIZU 30JUL97	HOUSING COLOR ハウジング色	P/N
MATERIAL HOUSING 仕上: PBT CONTACT: BRASS		PRODUCT SPEC 108-5580(-1) INSTRUCTION SHEET 411-5828(-1)	AMP KAWASAKI, JAPAN	
FINISH HOUSING GRAY ハウジング: 灰色 CONTACT PRE-TIN コンタクト: 鍍め		WEIGHT 54.3g	NAME 名番 126Pos. CAP HOUSING ASS'Y .040II/.070II HD HYBRID I/O CONN. 126極 キャップ ハウジング アッセンブリ .040II/.070II HD ハイブリット I/O コネクタ .040X102極, .070x24極	
CUSTOMER DRAWING		SIZE A2	CAGE CODE 00779	DRAWING NO C-353222
		SCALE 1-1	SHEET 1 OF 1	REV A