



Chipsmall Limited consists of a professional team with an average of over 10 year of expertise in the distribution of electronic components. Based in Hongkong, we have already established firm and mutual-benefit business relationships with customers from,Europe,America and south Asia,supplying obsolete and hard-to-find components to meet their specific needs.

With the principle of “Quality Parts,Customers Priority,Honest Operation,and Considerate Service”,our business mainly focus on the distribution of electronic components. Line cards we deal with include Microchip,ALPS,ROHM,Xilinx,Pulse,ON,Everlight and Freescale. Main products comprise IC,Modules,Potentiometer,IC Socket,Relay,Connector.Our parts cover such applications as commercial,industrial, and automotives areas.

We are looking forward to setting up business relationship with you and hope to provide you with the best service and solution. Let us make a better world for our industry!



## Contact us

Tel: +86-755-8981 8866 Fax: +86-755-8427 6832

Email & Skype: info@chipsmall.com Web: www.chipsmall.com

Address: A1208, Overseas Decoration Building, #122 Zhenhua RD., Futian, Shenzhen, China



# LM



- 316L SS Pressure Sensor with PVC Threads
- Small Profile
- 0.5 - 4.5V High Level Output
- Gage
- ASIC Calibrated



## DESCRIPTION

The LM Series incorporates stainless steel and plastic isolation suitable for level sensing in water and other liquids. The LM series uses a patent pending low cost stainless steel sensor in a PVC plastic fitting. The modular design is adaptable to an infinite number of plastic port variations. With high performance in a small form factor, the LM Series enables the miniaturization of high accuracy pressure systems. The standard output is .5V to 4.5V with a 5V supply.

## FEATURES

- Threaded Process Fitting
- -20°C to +70°C Operating Temperature
- $\pm 1\%$  Pressure Non Linearity
- $\pm 3.0\%$  Total Error Band
- Solid State Reliability

## APPLICATIONS

- Irrigation
- RV and Marine Holding Tank Level
- Water Storage & Recycling Systems
- Small Tank Fluid Level
- Chillers & Evaporative Coolers

## STANDARD RANGES

Range	Range	psig	Bar
0 to 1	0 to .07	•	•
0 to 2	0 to .20	•	•
0 to 5	0 to .35	•	•
0 to 15	0 to 1	•	•
0 to 30	0 to 2	•	•
0 to 50	0 to 5	•	•
0 to 100	0 to 7	•	•
0 to 150	0 to 10	•	•

Note: Intermediate pressure ranges available.

## PERFORMANCE SPECIFICATIONS

**Supply Voltage: 5.0Vdc**

**Ambient Temperature: 25°C (unless otherwise specified)**

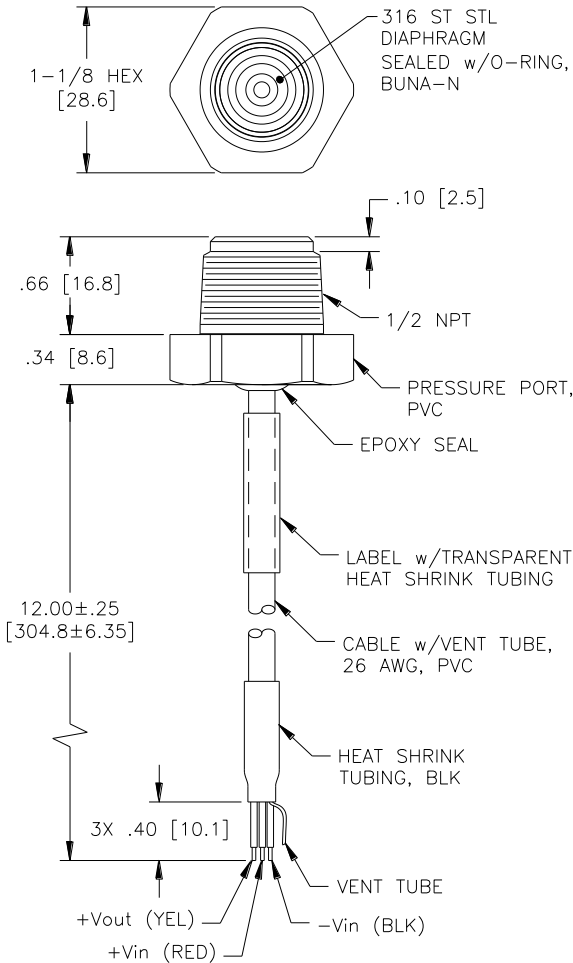
PARAMETERS	MIN	TYP	MAX	UNITS	NOTES
Full Scale Output		4.5		V	1
Zero Pressure Output		0.5		V	1
Pressure Non Linearity	-1	±0.25	1	%Span	2
Pressure Hysteresis	-0.1		0.1	%Span	
Repeatability		±0.02		%Span	
Accuracy (combined linearity, hysteresis, & repeatability)		±0.3		%Span	2
Temperature Error – Span	-1.5		1.5	%Span	3
Temperature Error – Zero	-1.5		1.5	%Span	3
Total Error Band (includes calibration errors above & temperature effects over the compensated range)			±3 (>5psi) ±5 (5psi) ±7 (<5psi)	%Span	
Supply Voltage	4.75	5.00	5.25	V	
Supply Current	2.0	2.5	3.0	mA	
Insulation Resistance (50Vdc)	50			MΩ	4
Pressure Overload			3X	Rated	5
Compensated Temperature	0		40	°C	
Operating Temperature	-20		+70	°C	
Weight			11	grams	
Media – Pressure Port	Liquids and Gases compatible with 316L Stainless Steel and Buna-N O-Ring				
Media – Reference Port	Compatible with Silicon, Pyrex, Gold, Epoxy, Fluorosilicone RTV, FR-4, and 316L Stainless Steel				

**Notes**

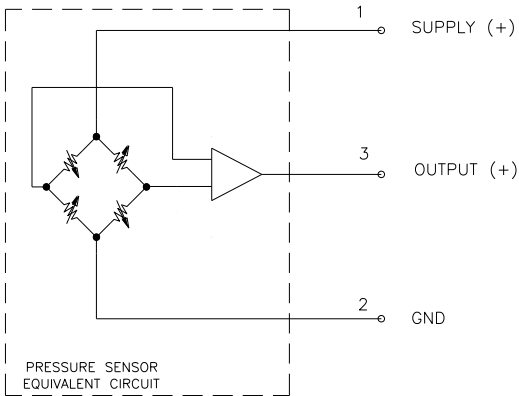
1. Ratiometric to supply voltage.
2. Best fit straight line.
3. Maximum temperature error between 0 °C and 40 °C with respect to 25 °C. ±2% maximum for devices below 5psi and .07Bar.
4. Between case and cable.
5. 3X maximum not to exceed 150 psi. 20 psi for 5 psi and lower.

DIMENSIONS

ALL DIMENSIONS IN INCHES [mm]



CONNECTIONS



**ORDERING INFORMATION**

LM3	3	1	-	00000	F	-	100P	G
<b>Model</b>	<b>Output Signal</b>	<b>Connection Type</b>	-	<b>00000</b>	<b>Pressure Port</b>	-	<b>Pressure Range</b>	<b>Pressure Type</b>
<b>LM</b>	3 = 0.5 – 4.5V Ratiometric X = Special	1 = Cable 1 ft 2 = Cable 2 ft 3 = Cable 4 ft 4 = Cable 7 ft 5 = Cable 10 ft 6 = Cable 15 ft 7 = Cable 30 ft	-	<b>00000</b>	F = 1/2 NPT X = Special	-	001P .07B 002P .20B 005P .35B 015P 001B 030P 002B 050P 005B 100P 007B 150P 010B	G = Gage

**NORTH AMERICA**

Measurement Specialties  
 45738 Northport Loop West  
 Fremont, CA 94538  
 Tel: 1-800-767-1888  
 Fax: 1-510-498-1578  
 Sales: [pfg.cs.amer@meas-spec.com](mailto:pfg.cs.amer@meas-spec.com)

**EUROPE**

Measurement Specialties  
 (Europe), Ltd.  
 26 Rue des Dames  
 78340 Les Clayes-sous-Bois, France  
 Tel: +33 (0) 130 79 33 00  
 Fax: +33 (0) 134 81 03 59  
 Sales: [pfg.cs.emea@meas-spec.com](mailto:pfg.cs.emea@meas-spec.com)

**ASIA**

Measurement Specialties  
 (China), Ltd.  
 No. 26 Langshan Road  
 Shenzhen High-Tech Park (North)  
 Nanshan District, Shenzhen 518057  
 China  
 Tel: +86 755 3330 5088  
 Fax: +86 755 3330 5099  
 Sales: [pfg.cs.asia@meas-spec.com](mailto:pfg.cs.asia@meas-spec.com)

The information in this sheet has been carefully reviewed and is believed to be accurate; however, no responsibility is assumed for inaccuracies. Furthermore, this information does not convey to the purchaser of such devices any license under the patent rights to the manufacturer. Measurement Specialties, Inc. reserves the right to make changes without further notice to any product herein. Measurement Specialties, Inc. makes no warranty, representation or guarantee regarding the suitability of its product for any particular purpose, nor does Measurement Specialties, Inc. assume any liability arising out of the application or use of any product or circuit and specifically disclaims any and all liability, including without limitation consequential or incidental damages. Typical parameters can and do vary in different applications. All operating parameters must be validated for each customer application by customer's technical experts. Measurement Specialties, Inc. does not convey any license under its patent rights nor the rights of others.