



Chipsmall Limited consists of a professional team with an average of over 10 year of expertise in the distribution of electronic components. Based in Hongkong, we have already established firm and mutual-benefit business relationships with customers from,Europe,America and south Asia,supplying obsolete and hard-to-find components to meet their specific needs.

With the principle of “Quality Parts,Customers Priority,Honest Operation,and Considerate Service”,our business mainly focus on the distribution of electronic components. Line cards we deal with include Microchip,ALPS,ROHM,Xilinx,Pulse,ON,Everlight and Freescale. Main products comprise IC,Modules,Potentiometer,IC Socket,Relay,Connector.Our parts cover such applications as commercial,industrial, and automotives areas.

We are looking forward to setting up business relationship with you and hope to provide you with the best service and solution. Let us make a better world for our industry!



## Contact us

Tel: +86-755-8981 8866 Fax: +86-755-8427 6832

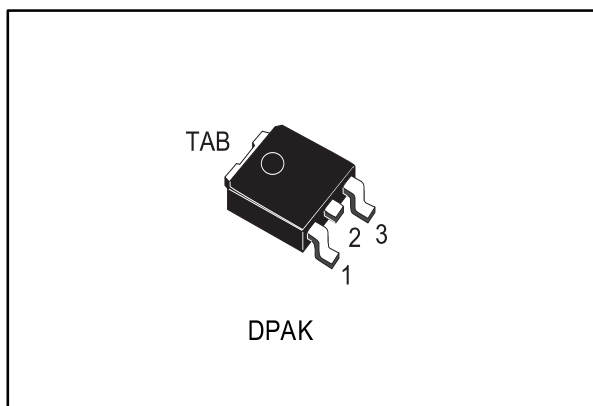
Email & Skype: info@chipsmall.com Web: www.chipsmall.com

Address: A1208, Overseas Decoration Building, #122 Zhenhua RD., Futian, Shenzhen, China



## Medium current 1.2 to 37 V adjustable voltage regulator

Datasheet - production data



### Description

The LM217M and LM317M are monolithic integrated circuits in DPAK package used as positive adjustable voltage regulators. They are designed to supply until 500 mA of load current with an output voltage adjustable over a 1.2 to 37 V range. The nominal output voltage is selected by one resistive divider only, making the device exceptionally easy to configure and avoiding the use of several fixed regulators.

### Features

- Output voltage range: 1.2 to 37 V
- Output current in excess of 500 mA
- Line regulation typ. 0.01%
- Load regulation typ. 0.1%
- Thermal overload protection
- Short-circuit protection
- Output transition safe area compensation
- Floating operation for high voltage applications

**Table 1: Device summary**

Order code	Packing
LM217MDT-TR	Tape and reel
LM317MDT-TR	

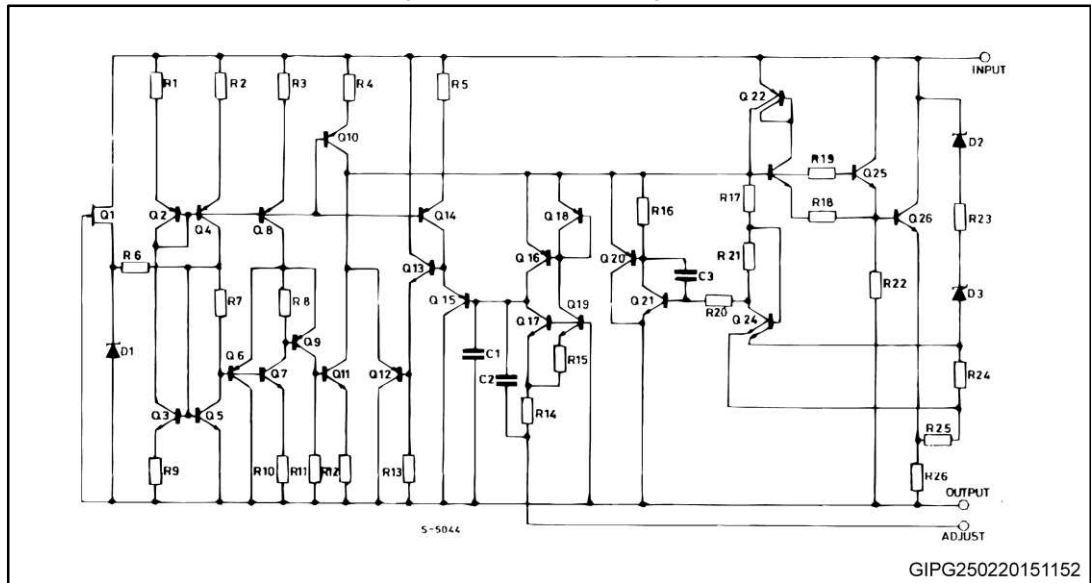
---

**Contents**

<b>1</b>	<b>Diagram</b> .....	<b>3</b>
<b>2</b>	<b>Pin configuration</b> .....	<b>4</b>
<b>3</b>	<b>Maximum ratings</b> .....	<b>5</b>
<b>4</b>	<b>Electrical characteristics</b> .....	<b>6</b>
<b>5</b>	<b>Typical performance</b> .....	<b>8</b>
<b>6</b>	<b>Application information</b> .....	<b>10</b>
	6.1 External capacitors.....	10
	6.2 Protection diodes.....	10
	6.3 Start-up block.....	10
<b>7</b>	<b>Application circuits</b> .....	<b>11</b>
<b>8</b>	<b>Package information</b> .....	<b>13</b>
	8.1 DPAK (TO-252) package information.....	13
	8.2 DPAK (TO-252) packing information.....	16
<b>9</b>	<b>Revision history</b> .....	<b>18</b>

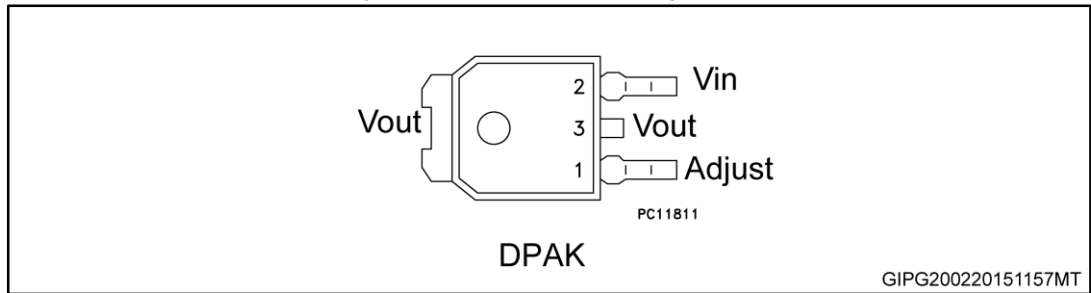
# 1 Diagram

Figure 1: Schematic diagram



## 2 Pin configuration

Figure 2: Pin connections (top view)



### 3 Maximum ratings

Table 2: Absolute maximum ratings

Symbol	Parameter	Value	Unit
$V_{I-V_O}$	Input-to-output differential voltage	40	V
$P_D$	Power dissipation	Internally limited	mW
$T_{OP}$	Operating junction temperature range <sup>(1)</sup>	LM217M	-40 to 125
		LM317M	0 to 125
$T_{STG}$	Storage temperature range	-55 to 150	°C

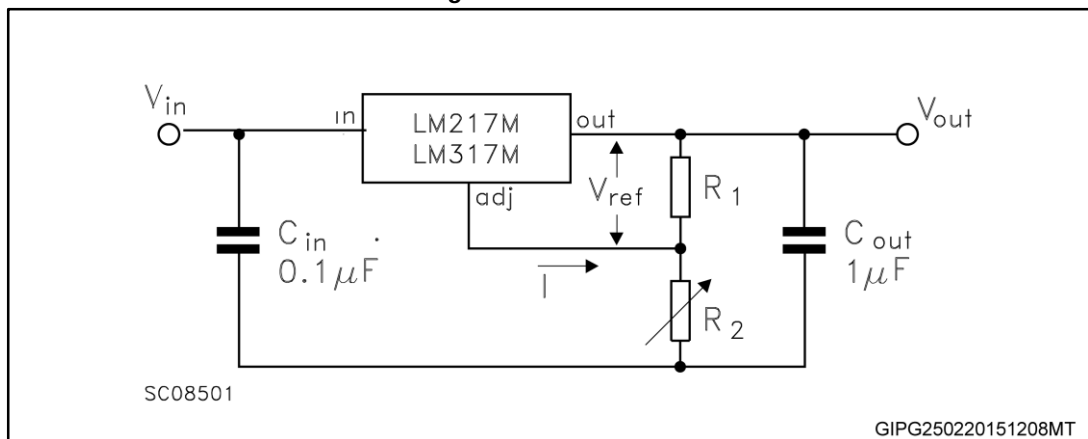
**Notes:**

<sup>(1)</sup>Reboot is not guaranteed for  $T_J \geq 85$  °C.

Table 3: Thermal data

Symbol	Parameter	DPAK	Unit
$R_{thJC}$	Thermal resistance junction-case	8	°C/W
$R_{thJA}$	Thermal resistance junction-ambient	100	°C/W

Figure 3: Test circuit



## 4 Electrical characteristics

Refer to the test circuits,  $T_J = -40$  to  $125$  °C,  $V_I - V_O = 5$  V,  $I_O = 100$  mA,  $P_D \leq 7.5$  W, unless otherwise specified.

Table 4: LM217M electrical characteristics

Symbol	Parameter	Test conditions	Min.	Typ.	Max.	Unit
$\Delta V_O$	Line regulation	$V_I - V_O = 3$ to $40$ V	$T_J = 25$ °C	0.01	0.02	%V
				0.02	0.05	
$\Delta V_O$	Load regulation	$V_O \leq 5$ V $I_O = 10$ to $500$ mA	$T_J = 25$ °C	5	15	mV
				20	50	
		$V_O \geq 5$ V $I_O = 10$ to $500$ mA	$T_J = 25$ °C	0.1	0.3	%V <sub>O</sub>
				0.3	1	
$I_{ADJ}$	Adjustment pin current			50	100	$\mu$ A
$\Delta I_{ADJ}$	Adjustment pin current	$V_I - V_O = 3$ to $40$ V, $I_O = 10$ to $500$ mA		0.2	5	$\mu$ A
$V_{REF}$	Reference voltage	$V_I - V_O = 3$ to $40$ V, $I_O = 10$ to $500$ mA	1.2	1.25	1.3	V
$\Delta V_O/V_O$	Output voltage temperature stability			0.7		%
$I_{O(min)}$	Minimum load current	$V_I - V_O = 40$ V		3.5	5	mA
$I_{O(max)}$	Maximum output current	$V_I - V_O \leq 15$ V	500	1000		mA
		$V_I - V_O = 40$ V, $P_d < P_{DMAX}$ , $T_J = 25$ °C		200		
eN	Output noise voltage (percentage of $V_O$ )	$B = 10$ Hz to $100$ kHz, $T_J = 25$ °C		0.003		%
SVR	Supply voltage rejection <sup>(1)</sup>	$T_J = 25$ °C $f = 120$ Hz	$C_{ADJ} = 0$	65		dB
			$C_{ADJ} = 10$ $\mu$ F	66	80	

### Notes:

<sup>(1)</sup> $C_{ADJ}$  is connected between the adjustment pin and ground.

Refer to the test circuits,  $T_J = 0$  to  $125$  °C,  $V_I - V_O = 5$  V,  $I_O = 100$  mA,  $P_D \leq 7.5$  W, unless otherwise specified.

Table 5: LM317M electrical characteristics

Symbol	Parameter	Test conditions	Min.	Typ.	Max.	Unit	
$\Delta V_O$	Line regulation	$V_I - V_O = 3$ to $40$ V	$T_J = 25$ °C		0.01	0.04	%V
					0.02	0.07	
$\Delta V_O$	Load regulation	$V_O \leq 5$ V $I_O = 10$ to $500$ mA	$T_J = 25$ °C		5	25	mV
					20	70	
		$V_O \geq 5$ V $I_O = 10$ to $500$ mA	$T_J = 25$ °C		0.1	0.5	%V <sub>O</sub>
					0.3	1.5	
$I_{ADJ}$	Adjustment pin current			50	100	μA	
$\Delta I_{ADJ}$	Adjustment pin current	$V_I - V_O = 3$ to $40$ V, $I_O = 10$ to $500$ mA		0.2	5	μA	
$V_{REF}$	Reference voltage	$V_I - V_O = 3$ to $40$ V, $I_O = 10$ to $500$ mA	1.2	1.25	1.3	V	
$\Delta V_O/V_O$	Output voltage temperature stability			0.7		%	
$I_{O(min)}$	Minimum load current	$V_I - V_O = 40$ V		3.5	10	mA	
$I_{O(max)}$	Maximum output current	$V_I - V_O \leq 15$ V		500	1000	mA	
					200		
$e_N$	Output noise voltage (V <sub>O</sub> percentage)	$B = 10$ Hz to $100$ kHz, $T_J = 25$ °C		0.003		%	
SVR	Supply voltage rejection <sup>(1)</sup>	$T_J = 25$ °C $f = 120$ Hz	$C_{ADJ} = 0$		65	dB	
			$C_{ADJ} = 10$ μF	66	80		

**Notes:**

<sup>(1)</sup> $C_{ADJ}$  is connected between the adjustment pin and ground.



## 5 Typical performance

Figure 4: Current limit

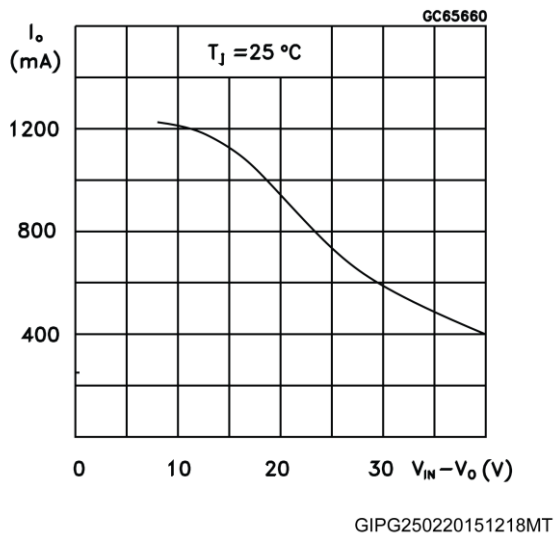


Figure 5: Minimum operating current

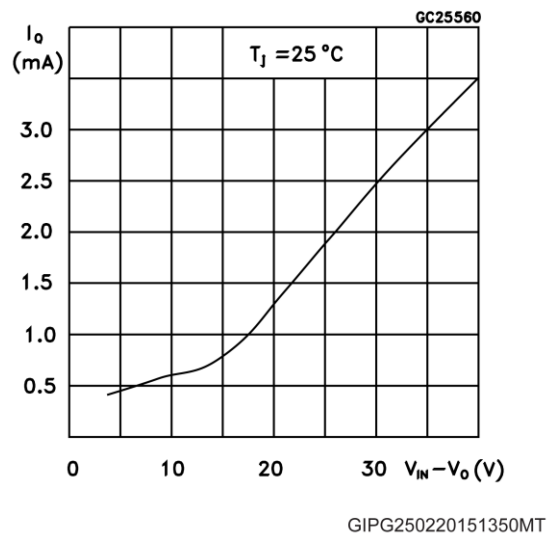


Figure 6: Basic adjustable regulator

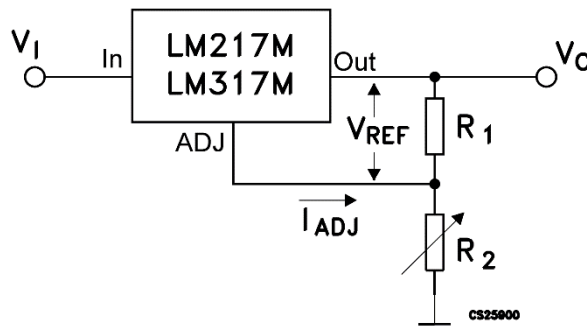
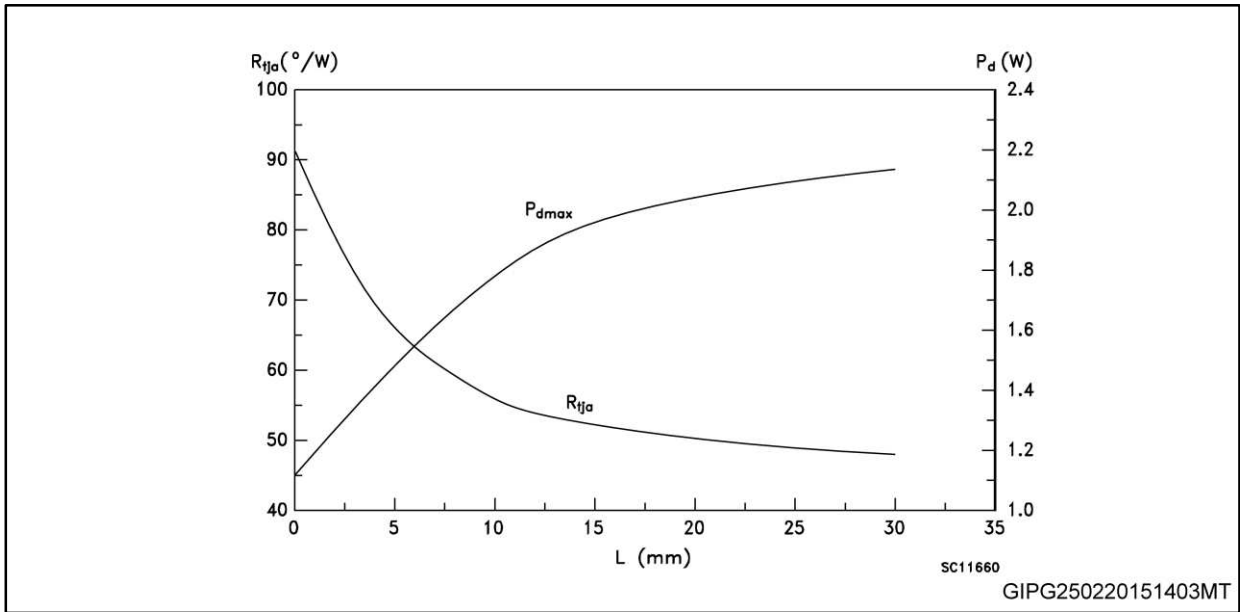


Figure 7: Thermal resistance and maximum power dissipation vs. PCB copper length for DPAK



$P_{dmax}$  calculated for  $T_a = 50\text{ }^{\circ}\text{C}$ .

## 6 Application information

The LM217M and LM317M provide an internal reference voltage (1.25 V) between the output and adjustment terminals. These devices set a constant current flow across an external resistor divider (see [Figure 6: "Basic adjustable regulator"](#)), giving the following output voltage:

### Equation 1

$$V_O = V_{REF} (1 + R_2 / R_1) + I_{ADJ} R_2$$

These devices minimize the term  $I_{ADJ}$  (100  $\mu$ A max.) and keep it constant with line and load changes. Usually, the error terms:  $I_{ADJ} \times R_2$  can be neglected. To obtain the previous requirement, the regulator quiescent current is returned to the output terminal, imposing a minimum load current condition. If the load is insufficient, the output voltage rises.

Since the LM217M and LM317M devices are floating regulators and only "see" the input-to-output differential voltage, high voltage supplies can be regulated as long as the maximum input-to-output differential is not exceeded. Furthermore, programmable regulators are easily obtained and, by connecting a fixed resistor between the adjustment and output, the devices can be used as precision current regulators. In order to optimize the load regulation,  $R_1$ , the current set resistor (see [Figure 6: "Basic adjustable regulator"](#)) should be as close as possible to the regulator, while  $R_2$ , the ground terminal should be near the ground of the load to provide remote ground sensing.

### 6.1 External capacitors

Usually, capacitors are not necessary unless the devices are far from the input filter capacitors; in this case an input bypass is needed.

To reduce the sensitivity to input line impedance, a 0.1  $\mu$ F disc or 1  $\mu$ F tantalum input bypass capacitor ( $C_I$ ) is recommended.

The adjustment terminal may be bypassed to ground to improve ripple rejection. This capacitor ( $C_{ADJ}$ ) avoids the amplification of ripple as the output voltage rises. A 10  $\mu$ F capacitor should improve ripple rejection about 80 dB at 120 Hz in a 10 V application.

Although the devices are stable without any output capacitors, some external capacitance values can cause excessive ringing. A 1  $\mu$ F solid tantalum or 25  $\mu$ F aluminum electrolytic output capacitor swamps this effect and assures stability.

### 6.2 Protection diodes

When external capacitors are used with any IC regulator, sometimes some protection diodes have to be added to prevent the capacitors from discharging through low current points into the regulator.

[Figure 8: "Voltage regulator with protection diodes"](#) shows the devices with the recommended protection diodes for output voltages in excess of 25 V or high capacitance values ( $C_3 > 25 \mu$ F,  $C_2 > 10 \mu$ F). Diode D1 prevents  $C_3$  from discharging through the IC during an input short-circuit. The combination of diodes D1 and D2 prevents  $C_2$  from discharging through the regulator during an input or output short-circuit.

### 6.3 Start-up block

Reboot of the device is not guaranteed when the junction temperature is over 85 °C.

# 7 Application circuits

Figure 8: Voltage regulator with protection diodes

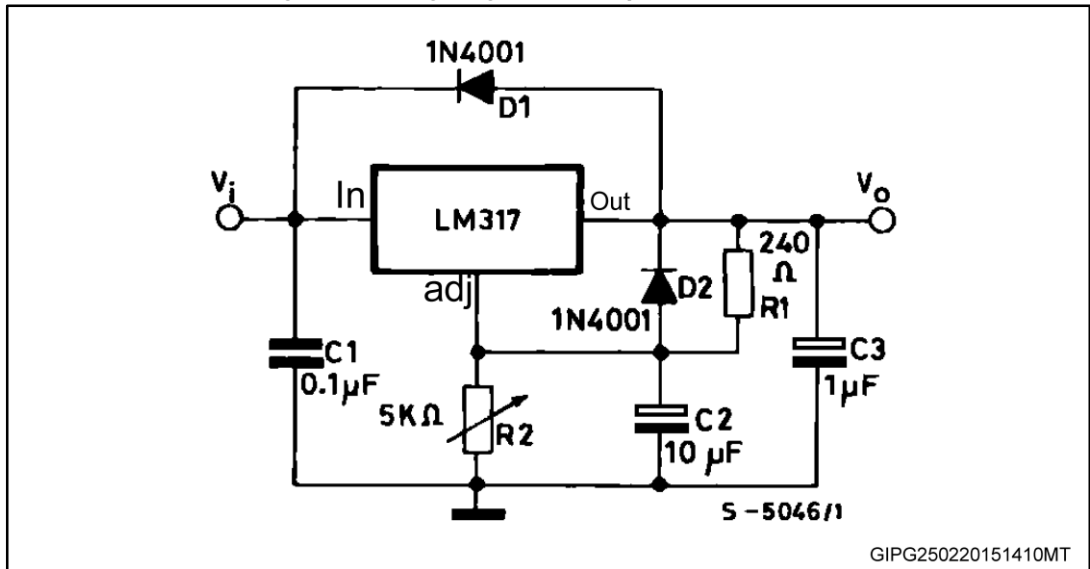


Figure 9: Slow turn-on 15 V regulator

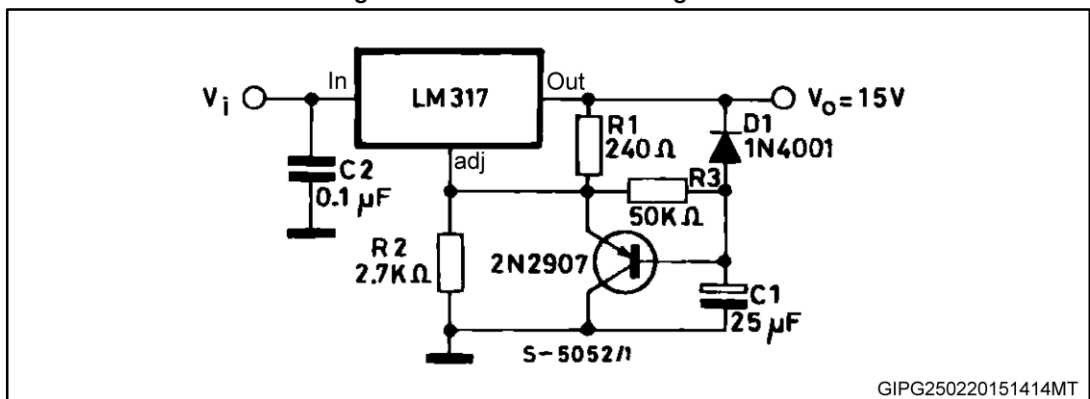


Figure 10: Current regulator

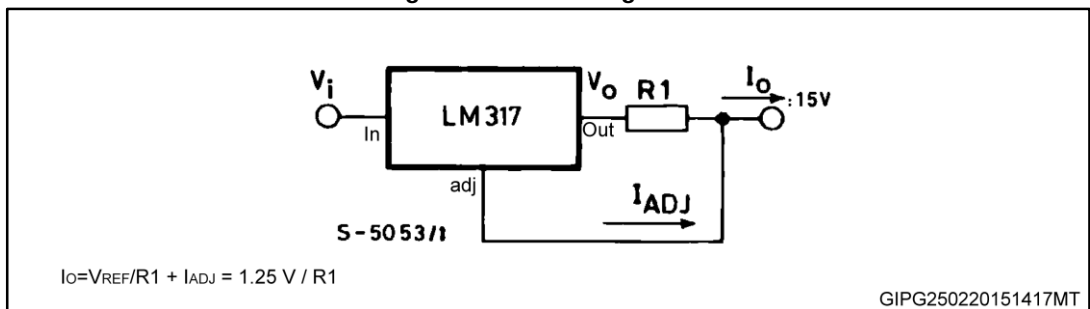
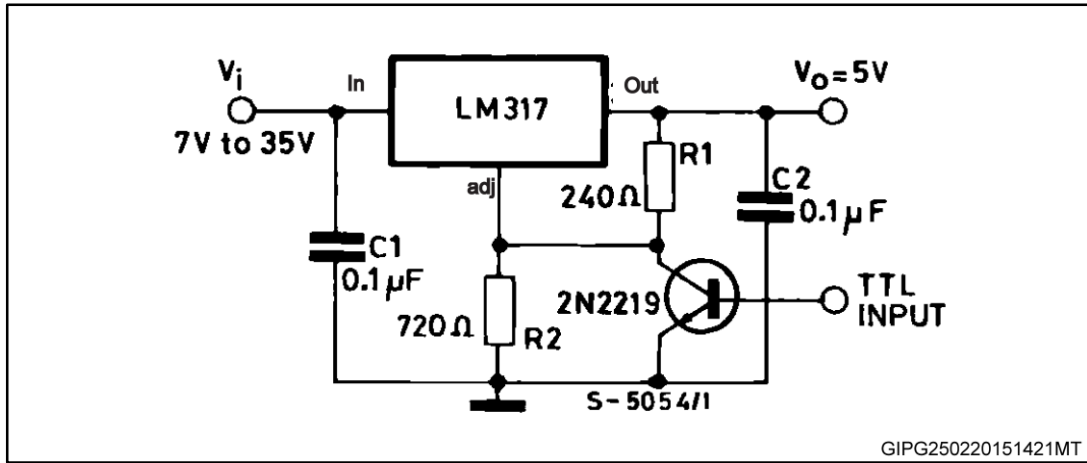
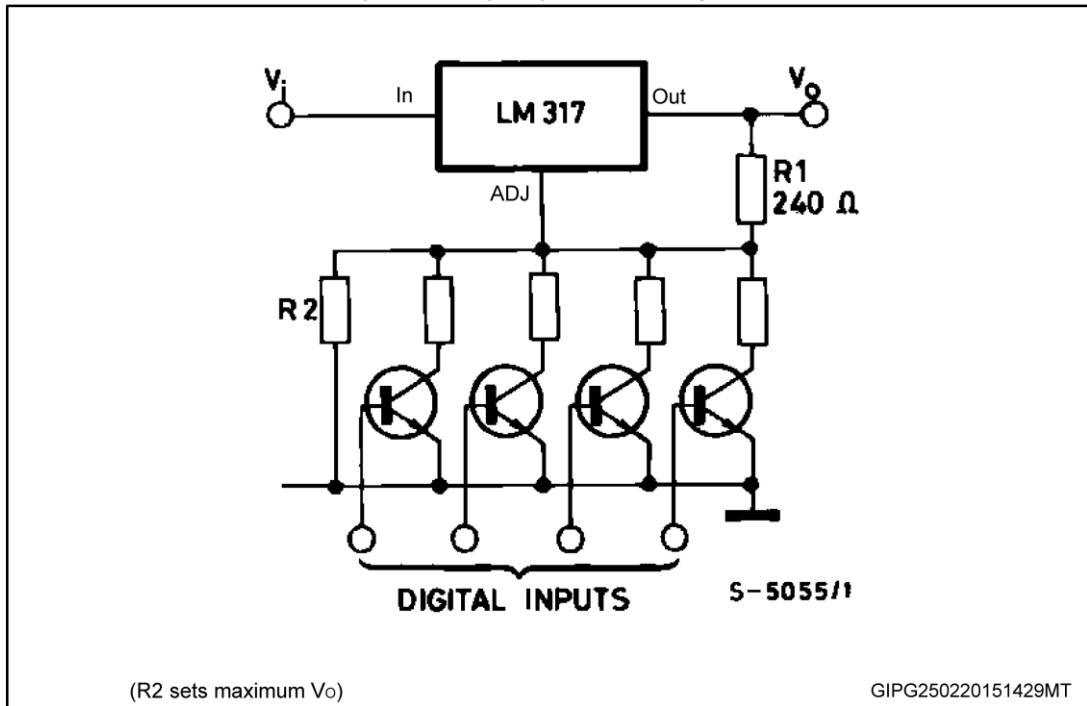


Figure 11: 5 V electronic shutdown regulator



GIPG250220151421MT

Figure 12: Digitally selected outputs



(R2 sets maximum  $V_o$ )

GIPG250220151429MT

## 8 Package information

In order to meet environmental requirements, ST offers these devices in different grades of ECOPACK® packages, depending on their level of environmental compliance. ECOPACK® specifications, grade definitions and product status are available at: [www.st.com](http://www.st.com). ECOPACK® is an ST trademark.

### 8.1 DPAK (TO-252) package information

Figure 13: DPAK (TO-252) package outline

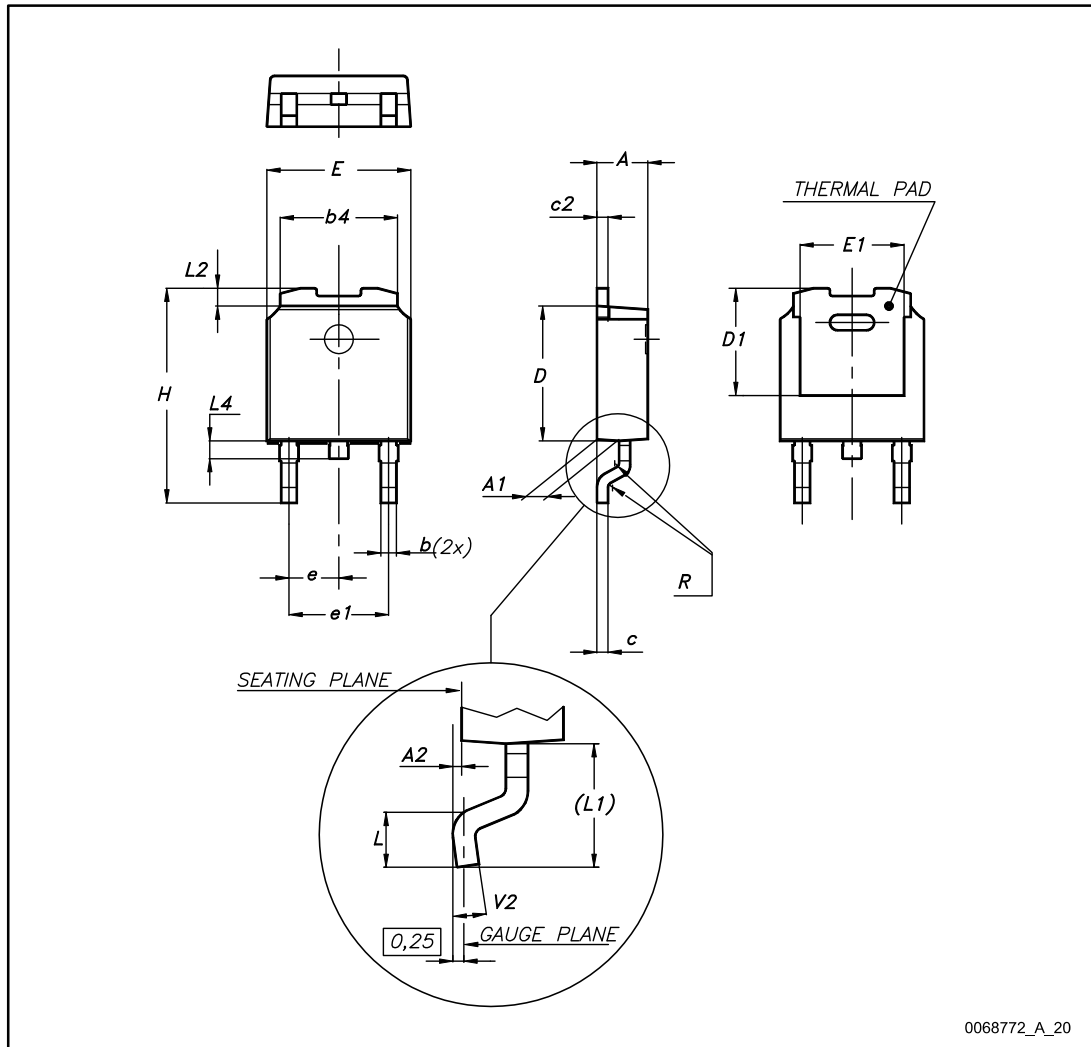
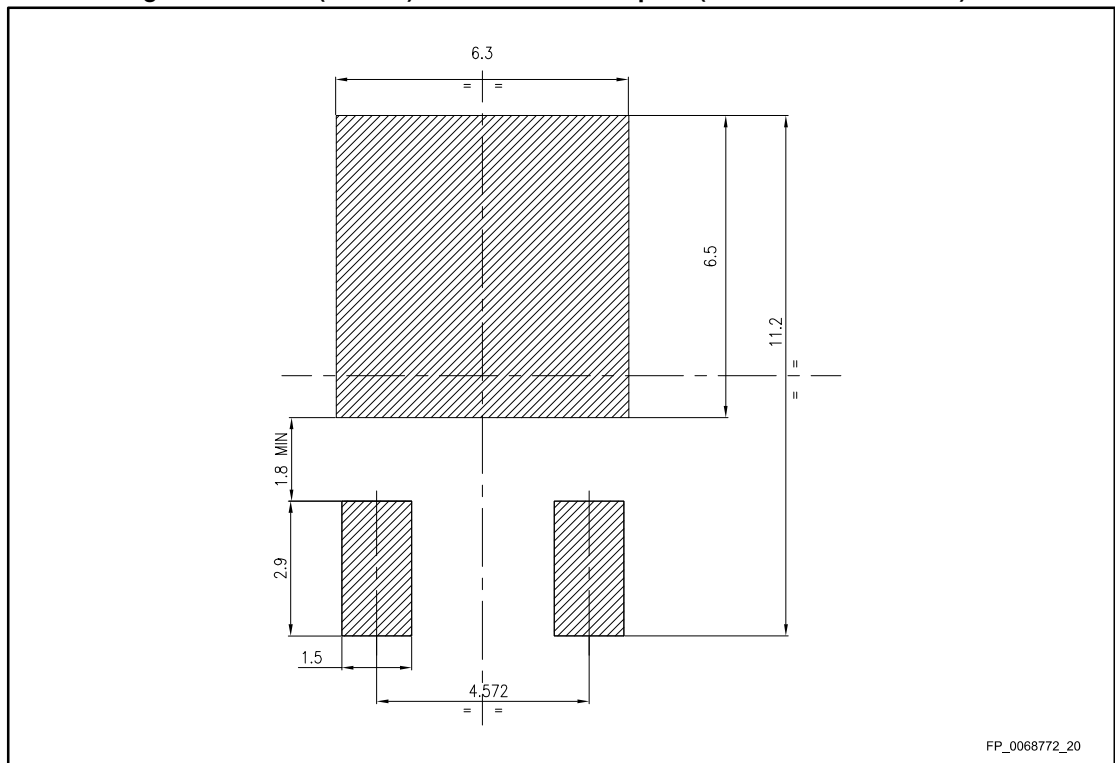


Table 6: DPAK (TO-252) mechanical data

Dim.	mm		
	Min.	Typ.	Max.
A	2.20		2.40
A1	0.90		1.10
A2	0.03		0.23
b	0.64		0.90
b4	5.20		5.40
c	0.45		0.60
c2	0.48		0.60
D	6.00		6.20
D1		5.10	
E	6.40		6.60
E1		4.70	
e		2.28	
e1	4.40		4.60
H	9.35		10.10
L	1.00		1.50
(L1)		2.80	
L2		0.80	
L4	0.60		1.00
R		0.20	
V2	0°		8°

Figure 14: DPAK (TO-252) recommended footprint (dimensions are in mm)





## 8.2 DPAK (TO-252) packing information

Figure 15: DPAK (TO-252) tape outline

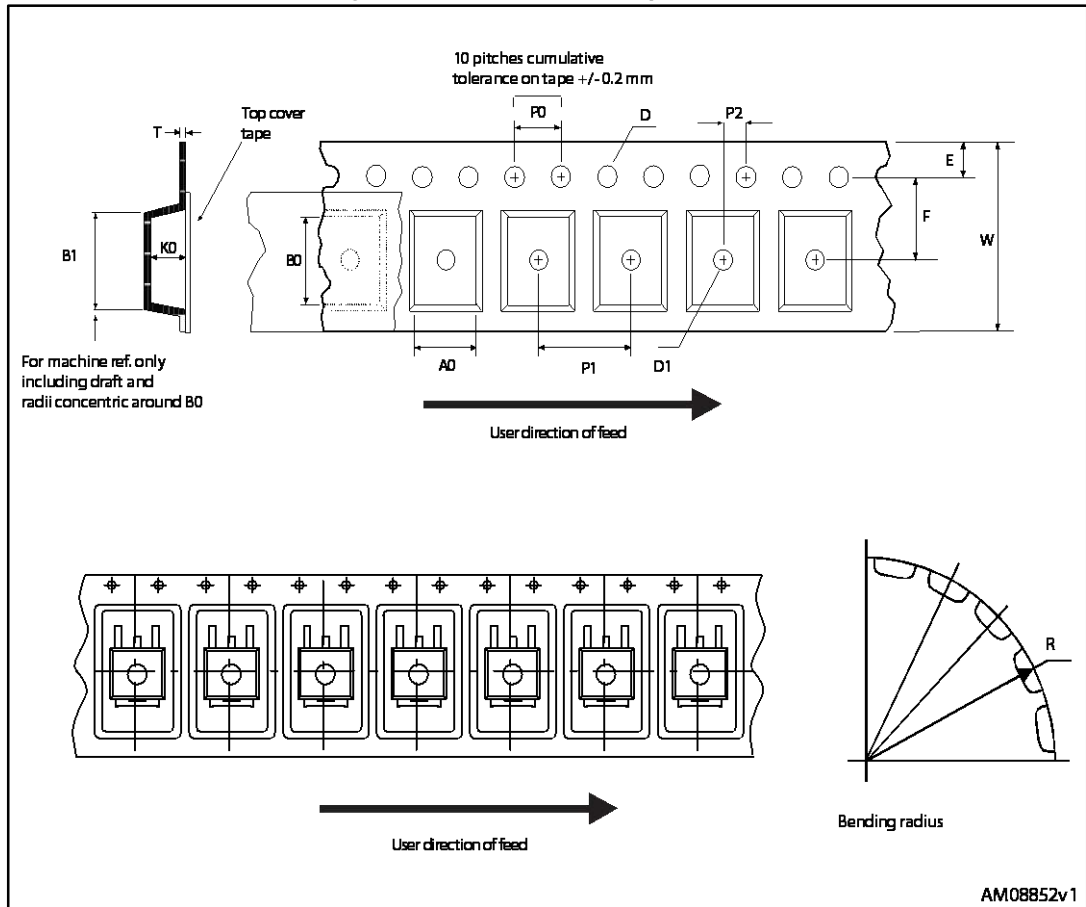


Figure 16: DPAK (TO-252) reel outline

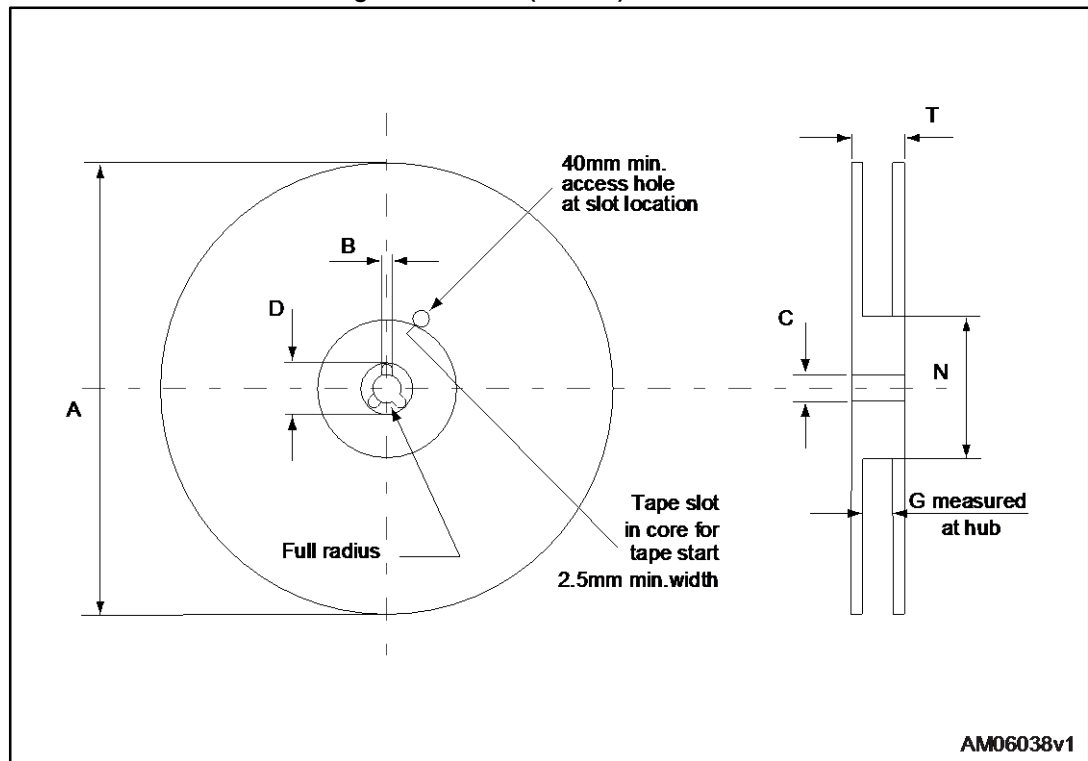


Table 7: DPAK (TO-252) tape and reel mechanical data

Tape			Reel		
Dim.	mm		Dim.	mm	
	Min.	Max.		Min.	Max.
A0	6.8	7	A		330
B0	10.4	10.6	B	1.5	
B1		12.1	C	12.8	13.2
D	1.5	1.6	D	20.2	
D1	1.5		G	16.4	18.4
E	1.65	1.85	N	50	
F	7.4	7.6	T		22.4
K0	2.55	2.75			
P0	3.9	4.1	Base qty.		2500
P1	7.9	8.1	Bulk qty.		2500
P2	1.9	2.1			
R	40				
T	0.25	0.35			
W	15.7	16.3			

## 9 Revision history

**Table 8: Document revision history**

Date	Revision	Changes
21-Jun-2004	5	The document has been reformatted.
06-Dec-2006	6	DPAK mechanical data updated, added footprint data.
11-Feb-2008	7	Added: Table 1 on page 1.
07-Jul-2014	8	Updated Table 1: Device summary. Updated Section 8.1: TO-220 and Section 8.2: DPAK. Updated Figure 3, Figure 6, Figure 8, Figure 9, Figure 10, Figure 11, Figure 12. Minor text changes.
16- Oct-2015	9	Removed TO-220 package. Updated description in cover page, <i>Table 1: "Device summary"</i> , <i>Figure 2: "Pin connections (top view)"</i> , <i>Table 3: "Thermal data"</i> and <i>Section 8: "Package information"</i> . Minor text changes.

**IMPORTANT NOTICE – PLEASE READ CAREFULLY**

STMicroelectronics NV and its subsidiaries ("ST") reserve the right to make changes, corrections, enhancements, modifications, and improvements to ST products and/or to this document at any time without notice. Purchasers should obtain the latest relevant information on ST products before placing orders. ST products are sold pursuant to ST's terms and conditions of sale in place at the time of order acknowledgement.

Purchasers are solely responsible for the choice, selection, and use of ST products and ST assumes no liability for application assistance or the design of Purchasers' products.

No license, express or implied, to any intellectual property right is granted by ST herein.

Resale of ST products with provisions different from the information set forth herein shall void any warranty granted by ST for such product.

ST and the ST logo are trademarks of ST. All other product or service names are the property of their respective owners.

Information in this document supersedes and replaces information previously supplied in any prior versions of this document.

© 2015 STMicroelectronics – All rights reserved