



Chipsmall Limited consists of a professional team with an average of over 10 year of expertise in the distribution of electronic components. Based in Hongkong, we have already established firm and mutual-benefit business relationships with customers from,Europe,America and south Asia,supplying obsolete and hard-to-find components to meet their specific needs.

With the principle of “Quality Parts,Customers Priority,Honest Operation,and Considerate Service”,our business mainly focus on the distribution of electronic components. Line cards we deal with include Microchip,ALPS,ROHM,Xilinx,Pulse,ON,Everlight and Freescale. Main products comprise IC,Modules,Potentiometer,IC Socket,Relay,Connector.Our parts cover such applications as commercial,industrial, and automotives areas.

We are looking forward to setting up business relationship with you and hope to provide you with the best service and solution. Let us make a better world for our industry!



## Contact us

Tel: +86-755-8981 8866 Fax: +86-755-8427 6832

Email & Skype: info@chipsmall.com Web: www.chipsmall.com

Address: A1208, Overseas Decoration Building, #122 Zhenhua RD., Futian, Shenzhen, China



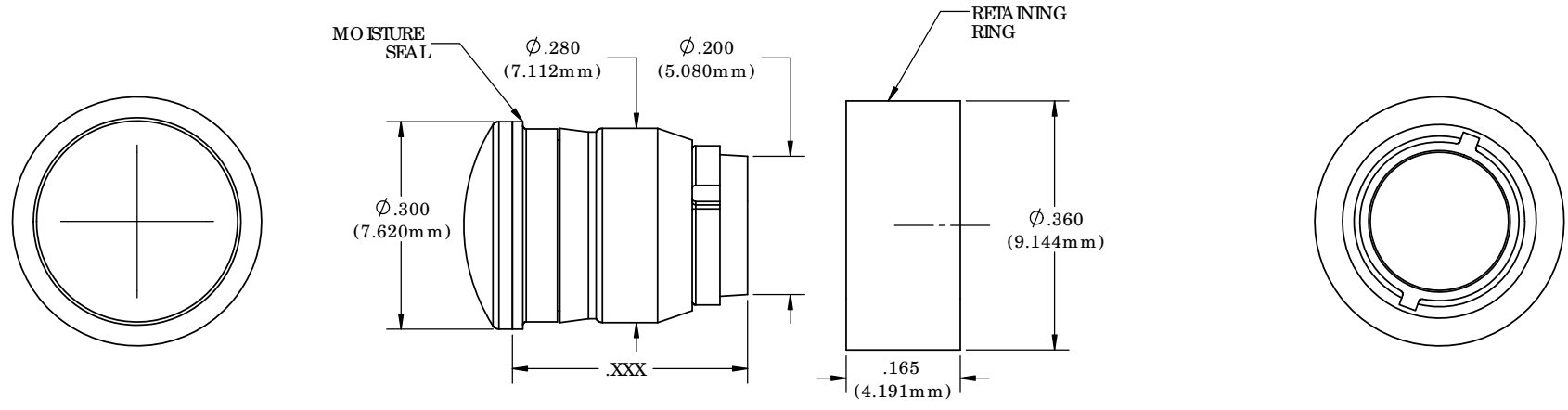
8 7 6 5 4 3 2 1

**NOTES:**

1. MOUNTING: Mounts in a  $\phi .281 \pm .002$  (7.14mm  $\pm$  0.051) panel hole on .375 (9.53mm) centers. Panel thickness .031 (.8mm) to .125 (3.18mm). Panel hole shall be deburred, but not chamfered.
2. ASSEMBLY: Insert Litepipe through the panel hole and press on retaining ring to secure unit to panel. Slide PCB into position aligning LED with the end of the Litepipe unit.
3. MATERIAL: Litepipe - Acrylic (Clear optical grade) UL 94-HB  
 Lens - Polycarbonate UL 94-V2  
 Seal - TPE  
 Retaining Ring - Polypropylene (Black)
4. Meets NEMA 4/IP 56 standards
5. U.S. & Foreign Pat. Issued

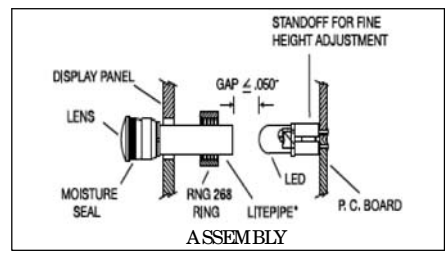


REVISIONS					
ECN #	REV.	DESCRIPTION	DATE	INITIALS	CHKD
	001	REVISED PER EC R 111009AZ01	8/18/10	KH	DPZ
	002	MODIFIED GENERAL TO IERANCE XX	11/14/11	RL	AZ



**ORDERING CODE: LMS XXX XXX**

LITEPIPE		LENS	
XXX =	LENGTH	XXX =	COLOR
033	.330"	RTP	RED TRANSPARENT
053	.530"	ATP	AMBER TRANSPARENT
073	.730"	GTP	GREEN TRANSPARENT
093	0.93"	BTP	BLUE TRANSPARENT
113	1.13"	YTP	YELLOW TRANSPARENT
133	1.33"	CTP	CLEAR TRANSPARENT
CUSTOM LENGTHS AVAILABLE UPON REQUEST		GLO	WHITE TRANSLUCENT



<small>DIMENSION STYLE: INCHES / MM                  GENERAL TOLERANCES UNLESS OTHERWISE SPECIFIED</small> <table border="1"> <tr> <td>INCHES</td> <td>MM</td> </tr> <tr> <td>X</td> <td><math>\pm .020</math> / <math>\pm .508</math></td> </tr> <tr> <td>XX</td> <td><math>\pm .015</math> / <math>\pm .381</math></td> </tr> <tr> <td>XXX</td> <td><math>\pm .005</math> / <math>\pm .127</math></td> </tr> </table>	INCHES	MM	X	$\pm .020$ / $\pm .508$	XX	$\pm .015$ / $\pm .381$	XXX	$\pm .005$ / $\pm .127$	APPROVAL DRAWN: K HOWARD CHECKED: DPZ DATE: 8/18/10 8/19/10
INCHES	MM								
X	$\pm .020$ / $\pm .508$								
XX	$\pm .015$ / $\pm .381$								
XXX	$\pm .005$ / $\pm .127$								
<small>THIRD ANGLE PROJECTION</small> 	MATERIAL: SEE NOTES FINISH: SEE NOTES DO NOT SCALE DRAWING								

**VGG OPTOELECTRONICS**  
 190 BOSSIE KBLVD, SUITE 101 SAN MARCOS, CA 92069 U.S.A.  
 PHONE: (760) 560-1300, FAX: (760) 560-1301 EMAIL: vccsales@vcclec.com

**TITLE:**  
 5MM MOISTURE SEALED LITEPIPE

SIZE: <b>B</b>	DWG. NO: LMS XXX XXX	REV: <b>002</b>
SCALE: 6:1		SHEET 1 OF 1

8 7 6 5 4 3 2 1