



Chipsmall Limited consists of a professional team with an average of over 10 year of expertise in the distribution of electronic components. Based in Hongkong, we have already established firm and mutual-benefit business relationships with customers from,Europe,America and south Asia,supplying obsolete and hard-to-find components to meet their specific needs.

With the principle of “Quality Parts,Customers Priority,Honest Operation,and Considerate Service”,our business mainly focus on the distribution of electronic components. Line cards we deal with include Microchip,ALPS,ROHM,Xilinx,Pulse,ON,Everlight and Freescale. Main products comprise IC,Modules,Potentiometer,IC Socket,Relay,Connector.Our parts cover such applications as commercial,industrial, and automotives areas.

We are looking forward to setting up business relationship with you and hope to provide you with the best service and solution. Let us make a better world for our industry!



## Contact us

Tel: +86-755-8981 8866 Fax: +86-755-8427 6832

Email & Skype: info@chipsmall.com Web: www.chipsmall.com

Address: A1208, Overseas Decoration Building, #122 Zhenhua RD., Futian, Shenzhen, China





# Standard Power Supplies

From The World's No.1 Power Supply Company

October 2016



[www.DeltaPSU.com](http://www.DeltaPSU.com)



# Augmented Reality (AR) Power Supply Catalog

## Delta Standard Power Supplies

Our innovations in a new perspective


Download **DeltaPSU AR** app to explore the products in 3D details (pages 16-17, 46-47 and 78-79).



### 4 easy steps

- 1 Download **DeltaPSU AR** app from the App Store or Google Play.



- 2 Open the app and select the "Scan AR" menu.
- 3 Scan product image with the  logo on the page to view the 3D product simulation.
- 4 Follow the instructions on the top right tab and users will be able to zoom in/out or rotate the product's 3D image for greater details.

**\*Software and Hardware Requirements**

- iOS devices: Requires iOS 8.0 or above. Compatible with iPhone 5 or above; iPad 2 or above.
- Android devices: Requires Android 4.0 or above. Requires 1 GB RAM or above.

# Table of Contents

■ <b>Company Profile</b> .....	02
■ <b>Latest Products</b> .....	03
■ <b>Typical Applications</b> .....	04 - 05
■ <b>Selection Guide</b> .....	06 - 15
■ <b>DIN Rail Power Supply &amp; Modules</b> .....	16 - 45
CliQ DIN Rail Power Supply .....	18
CliQ II DIN Rail Power Supply .....	22
CliQ M DIN Rail Power Supply .....	30
Lyte DIN Rail Power Supply .....	32
Chrome DIN Rail Power Supply .....	34
Sync DIN Rail Power Supply .....	38
CliQ II DIN Rail Modules .....	42
■ <b>Panel Mount Power Supply</b> .....	46 - 77
PMC Panel Mount Power Supply .....	48
PMF Panel Mount Power Supply .....	57
PMH Panel Mount Power Supply .....	60
PMU Panel Mount Power Supply .....	62
PMR Panel Mount Power Supply .....	64
PMT Panel Mount Power Supply .....	68
■ <b>Open Frame Power Supply</b> .....	78 - 97
PJ Open Frame Power Supply .....	80
PJB Open Frame Power Supply .....	88
PJT Open Frame Power Supply .....	90
■ <b>Accessories</b> .....	98 - 99
■ <b>Standards &amp; Approvals</b> .....	100 - 103
■ <b>LED Driver</b> .....	104
■ <b>Medical Power Supplies</b> .....	105
■ <b>FAQs</b> .....	106
■ <b>Notes</b> .....	107 - 108

# Company Profile

## Delta Electronics Group

### World's No.1\* Power Supply Company

Delta Electronics Group is the world's largest provider of switching power supplies and a major source for power management and renewable energy solutions. Established in 1971, Delta has sales offices and R&D facilities worldwide with manufacturing plants located in Taiwan, Thailand, China, Mexico, India and Europe.

As a global leader in power electronics, Delta has long been adopting Green manufacturing processes, recycling initiatives, waste management programs and environmentally-friendly green buildings. In 2014, Delta Electronics was selected for the prestigious Dow Jones Sustainability Index (DJSI) World for the fourth consecutive year. Amongst many other national and international awards, since 2010, Delta has also received more than 49 internationally recognized technology and design awards.

#### 1 Standard Power Supplies



Since 2008, Delta's Industrial Power Supply (IPS) team had been launching many new products in Delta's global distribution channels nearly on a monthly basis. These products which include DIN Rail, Panel Mount, Open Frame and LED Driver types offer customers the same industrial leading technology and quality that Delta's ODM partners are familiar with. Delta standard power supplies are able to cater to nearly all industrial applications including cash management and automation solutions and many more. With the wide range of reliable products and world class customer support, the IPS team had seen rapid growth in both sales and channels since. Please visit our standard product homepage at [www.DeltaPSU.com](http://www.DeltaPSU.com) for more product information.

#### 2 Modified Standard Power Supplies



Many top tier electronics companies on the Fortune® 500 list have long regarded Delta as a trusted ODM partner. These companies expect nothing less than the best technology and quality. With decades of industrial leading manufacturing and design experiences in ODM power management products, IPS team can also offers our customers modified standard products by leveraging from the wide range of standard products in our catalog. Modified standard products enable our customers to optimize their costs and product development time. For further query, please contact your local Delta distributor or simply send your query to [info@deltapsu.com](mailto:info@deltapsu.com).

\*Based on global sales revenue from the Micro-Tech Consultants March 2016 report

# Latest Products

## Delta Standard Power Supplies

### CliQ M

Slim Design with Advanced Power Boost (APB)



# CliQ<sup>M</sup>

**24V 480W**  
**PAGES 30-31**

- Universal AC input voltage range
- High power density in corrosion resistant aluminium casing
- Power Boost of 150% up to 7s
- Conformal coating on PCBAs to protect against common dust and chemical pollutants

### Chrome

Compact Design with Class II Double Isolation



# CHROME

**12V 100W**  
**PAGES 34-35**

- Protection Class II, Double Isolation (No Earth connection is required)
- Universal AC input voltage range and full power up to 55°C
- Power will not de-rate for the entire input voltage range
- Can be installed in compact cabinets

### PMU

Panel Mount with Integrated DC-UPS



# PMU

**13V, 27V 155W**  
**PAGES 62-63**



- AC input voltage selectable by switch
- LED indicator for DC OK (green) and Battery reverse (red)
- Zero switch over time between mains to battery (no relay used)
- Conforms to harmonic current IEC/EN 61000-3-2, Class A
- Monitoring signal for AC OK, DC OK and Battery Low as options

### PJT

Open Frame and Competitively Priced



# PJT

**27V 150W**  
**PAGES 96-97**

- Universal AC Input voltage range
- Standard industrial footprint of 3" x 5"
- Convection-Cooled
- 12V/0.5A Standby Output

# Typical Applications

## Delta Standard Power Supplies



### LED Signage/ Display

LED Signage

#### Applicable Series

PMC, PMT, PMF, PMR



### Oil & Gas

Oil & Gas

- Petrol station
- Oil refinery

#### Applicable Series

CliQ, CliQ II, CliQ M



### LED Lighting

LED Lighting

#### Applicable Series

LNE, LNV



### Factory

Industry

- Automation process
- Automation engineering

#### Applicable Series

CliQ, CliQ II, CliQ M, Lyte, Chrome, Sync, PMC, PMT, PMF, PMU



### Maritime

Marine

- Offshore

#### Applicable Series

CliQ M





IT

### Smart Building

- Elevator
- Escalator
- Data center
- HVAC

#### Applicable Series

CliQ, CliQ II, CliQ M, Lyte, Chrome, Sync



IT

### Department Store

- Automatic door
- Vending machine
- ATM

#### Applicable Series

PMC, PMT, PMH, PMF, PMU, PJ, PJB, PJT



Medical

### Hospital

#### Applicable Series

MDS



Renewable Energy

### Green Energy

- Wind turbine
- Solar farm

#### Applicable Series

CliQ, CliQ II, CliQ M, Lyte



Household

### Home

- Electrical appliances
- Home automation controller

#### Applicable Series

CliQ II, Chrome, PMC, PMH



# Selection Guide

## Delta Standard Power Supplies

New products are frequently introduced. Please visit [www.DeltaPSU.com](http://www.DeltaPSU.com) for latest product updates.

Product Type	Series	Model Name	Phase			PFC	Output Voltage	Output Current	Output Power			
			1	2	3				15W	30W	48W	60W
DIN Rail Power Supply	CliQ <ul style="list-style-type: none"> <li>Terminal block</li> <li>Power Boost up to 3s</li> </ul>	DRP012V015W1A□	●				12V	1.25A	●			
		DRP012V030W1A□	●					2.50A		●		
		DRP012V060W1AA	●					5.00A				●
		DRP012V100W1AA	●					8.33A				●
		DRP-24V48W1AZ	●				24V	2.00A			●	
		DRP024V060W1AZ	●					2.50A				●
		DRP024V060W1AA	●					2.50A				●
		DRP024V120W1AA	●			●		5.00A				
		DRP024V240W1AA	●			●		10.0A				
	DRP024V480W1AA	●			●	20.0A						
	DRP024V060W1B□	●				24V		2.50A				●
	DRP024V120W1B□	●						5.00A				
	DRP024V240W1B□	●			●		10.0A					
	DRP024V480W1B□	●			●		20.0A					
	DRP024V060W1N□	●					2.50A				●	
	DRP-24V100W1NN	●			●		3.80A					
	DRP-24V120W2BN	●	●				5.00A					
	DRP-24V240W2BN	●	●		●		10.0A					
	DRP024V060W3B□		●	●			2.50A					●
	DRP024V120W3B□		●	●			5.00A					
	DRP024V240W3B□		●	●			10.0A					
	DRP024V480W3B□		●	●	●		20.0A					
	DRP024V960W3BN		●	●	●	40.0A						
	DRP048V060W1B□	●				48V	1.25A				●	
	DRP048V120W1B□	●			●		2.50A					
	DRP048V240W1B□	●			●		5.00A					
	DRP048V480W1B□	●			●		10.0A					
	CliQ M <ul style="list-style-type: none"> <li>Slim design</li> <li>Advanced Power Boost</li> </ul>	DRM-24V80W1PN	●			●	24V	3.40A				
		DRM-24V120W1PN	●			●		5.00A				
		DRM-24V240W1PN	●			●		10.0A				
		DRM-24V480W1PN	●			●		20.0A				

### CliQ DIN Rail Power Supply Model Numbering

DR	P	XXXV	XXXW	□	□	□
DIN Rail	Product Type P - Power Supply	Output Voltage	Output Power	Phase Input 1 - Single Phase	A - CliQ Series	A - Metal Case, with Class I, Div 2 Y - Plastic Case, with Class I, Div 2 Z - Plastic Case, without Class I, Div 2

### CliQ II DIN Rail Power Supply Model Numbering

DR	P	XXXV	XXXW	□	□	□
DIN Rail	Product Type P - Power Supply	Output Voltage	Output Power	Phase Input 1 - Single Phase 2 - Two Phase 3 - Three Phase	B - CliQ II Series N - NEC Class 2	A - Metal Case, with Class I, Div 2 N - Metal Case, without Class I, Div 2 Y - Plastic Case, with Class I, Div 2 Z - Plastic Case, without Class I, Div 2

Output Power						Input Voltage Range	Safety Standards	Page
80W	100W	120W	240W	480W	960W			
						85-264Vac (DC input range 120-375Vdc)*		18-19
	●					85-264Vac (DC input range 120-375Vdc)*		20-21
		●						
			●					
				●				
				●		85-264Vac (DC input range 120-375Vdc)*		22-23
		●				85-264Vac (DC input range 120-375Vdc)*		24-25
	91.2W							
		●				2 x 180-550Vac or 180-305Vac (Single Phase) (DC input range 254-780Vdc)*		26-27
			●					
		●				3 x 320-600Vac or 2 x 360-600Vac (DC input range 450-800Vdc)*		28-29
			●					
				●		For 960W: 3 x 320-600Vac or 2 x 380-600Vac (DC input range 450-800Vdc)*		30-31
					●			
		●				85-264Vac (DC input range 120-375Vdc)*		30-31
			●			85-276Vac (DC input range 88-375Vdc)*		
		●				85-264Vac (DC input range 88-375Vdc)*		
			●			85-276Vac (DC input range 88-375Vdc)*		
●						85-264Vac (DC input range 120-375Vdc)*		30-31
		●				85-276Vac (DC input range 88-375Vdc)*		
			●			85-264Vac (DC input range 88-375Vdc)*		30-31
				●		85-276Vac (DC input range 88-375Vdc)*		

\*DC input is certified for selected models.

### CliQ M DIN Rail Power Supply Model Numbering

DR	M -	XXV	XXXW	1	P	N
DIN Rail	Product Series M - CliQ M Series	Output Voltage	Output Power	Phase Input 1 - Single Phase	Advanced Power Boost (APB)	N - Metal Case, without Class I, Div 2

# Selection Guide

## Delta Standard Power Supplies

New products are frequently introduced. Please visit [www.DeltaPSU.com](http://www.DeltaPSU.com) for latest product updates.

Product Type	Series	Model Name	Phase		PFC	Output Voltage	Output Current	10W	30W	50W
			1	3						
DIN Rail Power Supply	Lyte <ul style="list-style-type: none"> <li>Competitively priced</li> <li>Built-in constant current circuit</li> </ul>	DRL-24V120W1A□	●			24V	5.00A			
		DRL-24V240W1A□	●		●		10.0A			
		DRL-24V480W1A□	●		●		20.0A			
		DRL-48V120W1A□	●			48V	2.50A			
	Chrome <ul style="list-style-type: none"> <li>Compact</li> <li>Class II double isolation</li> <li>NEC Class 2</li> </ul>	DRC-5V10W1A□	●			5V	1.50A	7.5W		
		DRC-12V10W1A□	●			12V	0.83A	●		
		DRC-12V30W1A□	●				2.10A		25.2W	
		DRC-12V60W1A□	●				4.50A			
		DRC-12V100W1AZ	●				6.00A			
		DRC-24V10W1A□	●			24V	0.42A	●		
		DRC-24V30W1A□	●				1.25A		●	
		DRC-24V60W1A□	●				2.50A			
	DRC-24V100W1A□	●			3.80A					
	Sync <ul style="list-style-type: none"> <li>Compact</li> <li>Competitively priced</li> </ul>	DRS-5V30W1NZ	●			5V	3.00A		15W	
		DRS-5V50W1A□	●				6.00A			30W
		DRS-5V50W1N□	●			5.00A				25W
		DRS-12V50W1N□	●			12V	4.00A			48W
		DRS-24V30W1AZ	●				24V	1.25A		●
		DRS-24V30W1NZ	●			1.25A			●	
		DRS-24V50W1N□	●			2.10A				●
DRS-24V100W1A□		●		●	4.00A					
DRS-24V100W1N□	●		●	3.80A						

Product Type	Series	Model Name	Output Voltage	Output Current	
Redundancy Module	CliQ II	DRR-20□	22-60V	20.0A	(1+1 Redundancy) = Nominal 2 x 12.5A
		DRR-40□		40.0A	(1+1 Redundancy) = Nominal 2 x 25A
DC-UPS Module		DRU-24V40ABN	24V	40.0A	Charging Mode:
Buffer Module		DRB-24V020AB□	24V	20.0A	Charging Mode:
	DRB-24V040ABN	40.0A		Charging Mode:	

### Lyte DIN Rail Power Supply Model Numbering

DR	L –	XXV	XXXW	1	A	□
DIN Rail	Product Series L - Lyte Series	Output Voltage	Output Power	Phase Input 1 - Single Phase	Standard Bracket	A - Without DC OK Relay Contact S - With DC OK Relay Contact

### Chrome DIN Rail Power Supply Model Numbering

DR	C –	XXV	XXXW	1	A	□
DIN Rail	Product Type C - Isolation Class II Power Supply	Output Voltage	Output Power	Phase Input 1 - Single Phase	No PFC	Z - Black Plastic Case G - Grey Plastic Case

### Sync DIN Rail Power Supply Model Numbering

DR	S –	XXV	XXXW	1	□	□
DIN Rail	Product Series S - Sync Series	Output Voltage	Output Power	Phase Input 1 - Single Phase	A - Non NEC Class 2 N - NEC Class 2	Z - Without DC OK Relay Contact R - With DC OK Relay Contact

Output Power					Input Voltage Range	Safety Standards	Page
60W	100W	120W	240W	480W			
		●			85-264Vac	CE, EAC, cUL, cUL US, cUL US, cUL US, cUL US, cUL US, cUL US	32-33
			●				
				●			
		●			90-264Vac	CE, EAC, cUL, cUL US, cUL US, cUL US, cUL US, cUL US, cUL US	34-35
54W							
	72W						
					90-264Vac	CE, EAC, cUL, cUL US, cUL US, cUL US, cUL US, cUL US	36-37
●							
	91.2W				90-264Vac (DC input range 120-375Vdc)	CE, EAC, cUL, cUL US, cUL US, cUL US, cUL US, cUL US	38-39
					85-264Vac (DC input range 120-375Vdc)*	CE, EAC, cUL, cUL US, cUL US, cUL US, cUL US, cUL US	
						CE, EAC, cUL, cUL US, cUL US, cUL US, cUL US, cUL US	
					85-264Vac	CE, EAC, cUL, cUL US, cUL US, cUL US, cUL US, cUL US	40-41
					85-264Vac (DC input range 120-375Vdc)*	CE, EAC, cUL, cUL US, cUL US, cUL US, cUL US, cUL US	
						CE, EAC, cUL, cUL US, cUL US, cUL US, cUL US, cUL US	
	96W					CE, EAC, cUL, cUL US, cUL US, cUL US, cUL US, cUL US	
	91.2W					CE, EAC, cUL, cUL US, cUL US, cUL US, cUL US, cUL US	

\*DC input is certified for selected models.

Input Current	Input Voltage Range	Safety Standards	Page
(N+1 Redundancy) = Nominal 2 x 10A	22-60Vdc	CE, SI, cUL, cUL US, cUL US, cUL US, cUL US, cUL US, cUL US, cUL US, cUL US, cUL US, cUL US	42-43
(N+1 Redundancy) = Nominal 2 x 20A			
2.0A ± 1.0A	23-28Vdc	CE, SI, cUL, cUL US, cUL US, cUL US, cUL US, cUL US, cUL US, cUL US	44-45
< 0.6A	22.8-28.8Vdc	CE, SI, cUL, cUL US, cUL US, cUL US, cUL US, cUL US, cUL US, cUL US, cUL US, cUL US, cUL US	
< 0.6A		CE, SI, cUL, cUL US, cUL US, cUL US, cUL US, cUL US, cUL US, cUL US, cUL US, cUL US, cUL US	

### Redundancy Module Model Numbering

DR	R –	XX	□
DIN Rail	Product Type R - Redundancy Module	Output Current 20 - 20A 40 - 40A	A - Metal Case, with Class I, Div 2 N - Metal Case, without Class I, Div 2

### DC-UPS Module and Buffer Module Model Numbering

DR	□ –	24V	XXXA	B	□
DIN Rail	Product Type U - DC-UPS Module B - Buffer Module	Output Voltage	Output Current	ClIQ II Series	A - Metal Case, with Class I, Div 2 N - Metal Case, without Class I, Div 2

# Selection Guide

## Delta Standard Power Supplies

New products are frequently introduced. Please visit [www.DeltaPSU.com](http://www.DeltaPSU.com) for latest product updates.

Product Type	Series	Model Name	Phase		PFC	Output Voltage	Output Current							
			1	3				15W	35W	50W	60W	75W		
Panel Mount Power Supply	PMC <ul style="list-style-type: none"> <li>Aluminium casing</li> <li>Universal AC input voltage</li> </ul>	PMC-05V015W1AA	●			5V	3.00A	●						
		PMC-05V035W1A□	●				7.00A		●					
		PMC-05V050W1AA	●				10.0A				●			
		PMC-12V035W1A□	●				12V	3.00A		●				
		PMC-12V050W1A□	●			4.17A					●			
		PMC-12V060W1NA	●			5.00A						●		
		PMC-12V100W1AA	●			8.33A							●	
		PMC-12V150W1B□	●		●	12.5A								
		PMC-24V035W1A□	●					24V	1.46A		●			
		PMC-24V050W1A□	●			2.10A					●			
		PMC-24V075W1A□	●			3.12A						●		
		PMC-24V100W1A□	●			4.17A							●	
		PMC-24V150W1A□	●			6.25A								
		PMC-24V150W2AA	●			6.25A								
		PMC-24V150W1B□	●		●	6.25A								
		PMC-24V300W1BA	●		●	12.5A								
		PMC-24V600W1BA	●		●	25.0A								
		PMC-DSPV100W1A	●			24V / 5V	2.70A / 7.00A							
	PMC-48V150W1B□	●		●	48V	3.125A								
	PMF <ul style="list-style-type: none"> <li>Remote ON/OFF</li> <li>Built-in PFC</li> </ul>	PMF-4V320WC□□	●		●	4.2V	55.0A							
		PMF-5V320WC□□	●		●	5V	55.0A							
		PMF-24V200WC□□	●		●	24V	8.40A							
		PMF-24V240WC□□	●		●	10.0A								
		PMF-24V320WC□□	●		●	13.3A								
	PMH <ul style="list-style-type: none"> <li>Household and ITE safety approvals</li> </ul>	PMH-24V50WCA□	●			24V	2.10A				●			
		PMH-24V100WCA□	●				4.16A							
		PMH-24V150WCB□	●		●		6.25A							
		PMH-24V200WCB□	●		●		8.33A							
	PMU <ul style="list-style-type: none"> <li>Power supply with integrated DC-UPS</li> </ul>	PMU-13V155W□BA	●			13.8V	V1: 9.50A B+: 1.50A							
		PMU-13V155W□CA	●											
		PMU-27V155W□BA	●			27.6V	V1: 4.00A B+: 1.50A (Enclosed) B+: 1.20A (L Frame)							
		PMU-27V155W□CA	●											

### PMC Panel Mount Power Supply Model Numbering

PM	C –	XXV	XXXW	□	□	□
Panel Mount	Product Type C - Enclosed	Output Voltage	Output Power	Phase Input 1 - Single Phase, Wide Range Input Voltage 2 - Single Phase, High Line Input Voltage	A - No PFC B - With PFC N - NEC Class 2	Connector Type A - Terminal Block <sup>3)</sup> J - IP20 Connector <sup>1)</sup> L - Front Face <sup>2)</sup>

1) Options  
2) Options for 150W with PFC  
3) For PMC-05V015W1AA and PMC-24V600W1BA, the connector type is a Front Face connector

PM	C –	D	SPV	100W	1	A
Panel Mount	Product Type C - Enclosed	Dual Output	Output Voltage S - 24V P - 5V	Output Power	Phase Input Single Phase	Delta Standard

### PMF Panel Mount Power Supply Model Numbering

PM	F –	XXV	XXXW	C	□	□
Panel Mount	Product Series F - PFC Series	Output Voltage	Output Power	Package Type C - Enclosed	Connector Type G - Front Face A - Terminal Block <sup>1)</sup>	Variable B - No Remote ON/OFF R - With Remote ON/OFF <sup>1)</sup>

1) Options

Output Power								Input Voltage Range	Safety Standards	Page
100W	150W	155W	200W	240W	300W	320W	600W			
								85-264Vac (DC input range 125-375Vdc)*	CE, SI, cUL, ENEC, EAC	48-49
								85-264Vac (DC input range 125-375Vdc)*	CE, SI, cUL, ENEC, EAC	50-51
								85-264Vac (DC input range 125-375Vdc)*	CE, SI, cUL, ENEC, EAC	52-53
								180-264Vac (DC input range 220-375Vdc)*	CE, SI, cUL, ENEC, EAC	54-55
								85-264Vac (DC input range 125-375Vdc)*	CE, SI, cUL, ENEC, EAC	
								85-264Vac (DC input range 120-370Vdc)*	CE, SI, cUL, ENEC, EAC	56-57
								85-264Vac (DC input range 125-375Vdc)*	CE, SI, cUL, ENEC, EAC	
								85-264Vac (DC input range 125-375Vdc)*	CE, SI, cUL, ENEC, EAC	
						231W		85-264Vac	CE, SI, cUL, ENEC, EAC	58-59
						275W		85-264Vac	CE, SI, cUL, ENEC, EAC	
								85-264Vac (DC input range 120-375Vdc)*	CE, SI, cUL, ENEC, EAC	60-61
		151W						90-132Vac, 180-264Vac (Selectable by Switch)	CE, SI, cUL, ENEC, EAC	62-63
		151W							CE, SI, cUL, ENEC, EAC	
		151W							CE, SI, cUL, ENEC, EAC	
		151W							CE, SI, cUL, ENEC, EAC	

\*DC input is certified for selected models.

### PMH Panel Mount Power Supply Model Numbering

PM	H –	XXV	XXXW	C	□	□
Panel Mount	Product Series H - Household Series	Output Voltage	Output Power	Package Type C - Enclosed	A - No PFC B - With PFC	Output Non-Isolated to PE (PELV) A - Terminal Block J - IP20 connector L - Front Face H - Harness  Output Isolated to PE (SELV) S - Terminal Block U - IP20 Connector V - Front Face T - Harness

### PMU Panel Mount Power Supply Model Numbering

PM	U –	XXV	XXXW	□	□	A
Panel Mount	Product Series U - With DC UPS Function	Output Voltage	Output Power	Package Type C - Enclosed L - L Frame <sup>1)</sup>	Signal B - Without Signal C - With Signal	Connector Type A - Terminal Block

1) Options

# Selection Guide

## Delta Standard Power Supplies

New products are frequently introduced. Please visit [www.DeltaPSU.com](http://www.DeltaPSU.com) for latest product updates.

Product Type	Series	Model Name	Phase		PFC	Output Voltage	Output Current	Power			
			1	3				35W	50W	100W	
Panel Mount Power Supply	PMR <ul style="list-style-type: none"> <li>Thickness &lt; 1U</li> <li>Built-in PFC</li> </ul>	PMR-4V320WC□A	●		●	4.2V	60.0A				
		PMR-4V320WDAA	●		●		60.0A				
		PMR-4V320WDGA	●		●		60.0A				
		PMR-4V320WDBA	●		●		60.0A				
		PMR-4V320WDCA	●		●		60.0A				
		PMR-5V320WC□A	●		●	5V	60.0A				
		PMR-5V320WDAA	●		●		60.0A				
		PMR-5V320WDGA	●		●		60.0A				
		PMR-5V320WDBA	●		●		60.0A				
		PMR-5V320WDCA	●		●		60.0A				
	PMT <ul style="list-style-type: none"> <li>UL approval</li> <li>Basic specs</li> <li>High MTBF</li> </ul>	PMT-4V350W1A□	●			4.2V	60.0A				
		PM□-5V35W1A□	●			5V	7.00A	●			
		PM□-5V50W1A□	●				10.0A		●		
		PMT-5V350W1A□	●				60.0A				
		PM□-12V35W1A□	●			12V	2.92A	●			
		PM□-12V50W1A□	●				4.20A		●		
		PM□-12V100W1A□	●				8.50A			●	
		PM□-12V150W1A□	●				12.5A				
		PMT-12V350W1A□	●				29.0A				
		PM□-15V50W1A□	●			15V	3.40A		●		
		PM□-24V35W1A□	●				24V	1.46A	●		
		PM□-24V50W1A□	●					2.09A		●	
		PM□-24V100W1A□	●					4.50A			●
		PM□-24V150W1A□	●					6.50A			
		PM□-24V200W1A□	●			8.80A					
		PMT-24V350W1AG	●				14.6A				
		PMT-24V350W1AM	●				14.6A				
		PMT-24V350W1AK	●				14.6A				
		PMT-24V350W1AR	●				14.6A				
		PMT-36V350W1A□	●				36V	9.70A			
		PM□-48V150W1A□	●			48V		3.30A			
		PMT-48V350W1A□	●					7.30A			
		PM□-D1V100W1A□	●				12V / 5V	7.00A / 3.00A			●
PM□-D2V100W1A□	●				3.50A / 3.00A				●		

### PMR Panel Mount Power Supply Model Numbering

PM	R -	XXV	XXXW	□	□	□
Panel Mount	Product Series R - Standard Rack Type Series (1U)	Output Voltage	Output Power	Package Type C - Enclosed with Fan D - Enclosed without Fan	Connector Type A - Terminal Block B - Terminal Block (Parallel Operation) <sup>1)</sup> G - Front Face <sup>2)</sup> C - Front Face (Parallel Operation) <sup>1)</sup>	Variable A - Conformal coating

1) Options for Enclosed without Fan (PMR-□V320WDBA and PMR-□V320WDCA)  
2) Options

Output Power					Input Voltage Range	Safety Standards	Page
150W	200W	240W	320W	350W			
			252W		88-264Vac	EAC	64-65
			252W				
			252W				
			252W				
			252W				
			300W		88-264Vac	EAC	66-67
			300W				
			300W				
			300W				
			300W				
			252W		90-132Vac, 180-264Vac (Selectable by Switch)	EAC	68-69
					85-264Vac	EAC	
			300W		90-132Vac, 180-264Vac (Selectable by Switch)	EAC	70-71
					90-264Vac	EAC	
					90-132Vac, 180-264Vac (Selectable by Switch)	EAC	
						EAC	
			348W			EAC	
					85-264Vac	EAC	72-73
					90-264Vac	EAC	
					90-132Vac, 180-264Vac (Selectable by Switch)	EAC	74-75
						EAC	
						EAC	
						EAC	
						EAC	
			349.2W			EAC	
					90-132Vac, 180-264Vac (Selectable by Switch)	EAC	76-77
						EAC	
					88-132Vac, 176-264Vac (Selectable by Switch)	EAC	

### PMT Panel Mount Power Supply Model Numbering

PM	<input type="checkbox"/> -	XXV	XXXW	1	A	<input type="checkbox"/>	CC Code <sup>6)</sup>
Panel Mount	Product Type T - Enclosed L - L Frame <sup>1)</sup> B - Open Frame <sup>2)</sup>	Output Voltage	Output Power	Phase Input Single Phase	No PFC	Connector Type With UL, TUV, CE, CCC A - Terminal Block G - Front Face <sup>3)5)</sup> H - Harness <sup>3)</sup> With UL, TUV, CE R - Terminal Block K - Front Face <sup>4)</sup> With UL M - Terminal Block <sup>5)</sup> N - Front Face	Blank - Without connector cover A - With connector cover B - With conformal coating C - With conformal coating and connector cover
PM	<input type="checkbox"/> -	XXV	XXXW	1	A	<input type="checkbox"/>	CC Code <sup>6)</sup>
Panel Mount	Product Type T - Enclosed L - L Frame <sup>1)</sup>	Output Voltage Dual Output D1 - 12V / 5V D2 - 24V / 5V	Output Power	Phase Input Single Phase	No PFC	Connector Type A - Terminal Block G - Front Face <sup>3)</sup> H - Harness <sup>3)</sup>	Blank - Without connector cover A - With connector cover

1) Options for 35W-200W

2) Options for 35W and 50W (except for 5V/35W, 5V/50W and 15V/50W models)

3) Options (Harness connector is not available for 5V/50W model)

4) Options for PMT-24V350W1AK, PMT-36V350W1A□ and PMT-48V350W1A□

5) PMT-24V350W1AG and PMT-24V350W1AM is certified to UL and CE only

6) Options for Terminal Block with Enclosed type only

A - For 4V/350W, 5V/350W, 24V/35W-100W models

B - For 4V/350W, 5V/350W, 12V/35W-150W, 24V/35W-200W and dual output models

C - For PMT-4V350W1AM and PMT-5V350W1AM



# Selection Guide

## Delta Standard Power Supplies

New products are frequently introduced. Please visit [www.DeltaPSU.com](http://www.DeltaPSU.com) for latest product updates.

Product Type	Series	Model Name	Phase		PFC	Output Voltage	Output Current	Power		
			1	3				15W	30W	
Open Frame Power Supply	PJ <ul style="list-style-type: none"> <li>Built-in PFC</li> <li>Versatile configurations</li> <li>Conformal coating</li> </ul>	PJ-12V15W□NA	●			12V	1.30A	●		
		PJ-12V30W□NA	●				2.50A		●	
		PJ-12V50W□NA	●		●		4.30A			
		PJ-12V100W□□A	●		●		8.50A			
		PJ-12V150W□□A	●		●		12.5A			
		PJ-24V30W□NA	●			24V	1.25A		●	
		PJ-24V50W□NA	●		●		2.10A			
		PJ-24V100W□□A	●		●		4.30A			
		PJ-24V150W□□A	●		●		6.30A			
		PJ-5V15W□NA	●			5V	3.00A	●		
		PJ-48V50W□NA	●			48V	1.10A			
	PJB <ul style="list-style-type: none"> <li>Built-in PFC</li> <li>Power Boost up to 10s</li> <li>Conformal coating</li> </ul>	PJB-24V100W□□A	●		●	24V	4.30A			
		PJB-24V150W□□A	●		●		6.30A			
		PJB-24V240W□□A	●		●		10.0A			
	PJT <ul style="list-style-type: none"> <li>High efficiency</li> <li>Small footprint</li> </ul>	PJT-12V40WBA□	●			12V	3.33A			
		PJT-12V65WBA□	●				5.00A			
		PJT-12V100WBA□	●		●		8.33A			
		PJT-12V100WBB□	●				6.67A (Convection) 8.33A (Forced Cooling)			
		PJT-15V40WBA□	●			15V	2.67A			
		PJT-15V65WBA□	●				4.20A			
		PJT-15V100WBA□	●		●		6.67A			
		PJT-15V100WBB□	●				5.33A (Convection) 6.67A (Forced Cooling)			
		PJT-18V40WBA□	●			18V	2.22A			
		PJT-18V65WBA□	●				3.61A			
		PJT-18V100WBA□	●		●		5.55A			
		PJT-18V100WBB□	●				4.44A (Convection) 5.55A (Forced Cooling)			
		PJT-24V40WBA□	●			24V	1.66A			
		PJT-24V65WBA□	●				2.71A			
		PJT-24V100WBA□	●		●		4.17A			
		PJT-24V100WBB□	●				3.33A (Convection) 4.17A (Forced Cooling)			
		PJT-27V150WBNA	●			●	V1: 27V V <sub>SB</sub> : 12V	V1: 5.55A V <sub>SB</sub> : 0.50A		

### PJ Open Frame Power Supply Model Numbering

PJ -	XXV	XXXW	□	□	A
Open Frame	Output Voltage	Output Power	Product Type C - Enclosed L - L Frame <sup>1)</sup> B - Open Frame <sup>1)</sup>	Remote ON/OFF Function N - No Remote ON/OFF R - With Remote ON/OFF <sup>2)</sup>	Delta Standard

1) Options

2) Options for 100W and above

Output Power						Input Voltage Range	Safety Standards	Page
40W	50W	65W	100W	150W	240W			
						85-264Vac	CE  EAC	80-82
	●						CE  EAC	
			●				CE  EAC	
				●			CE  EAC	
					●		CE  EAC	
	●					85-264Vac	CE  EAC	83-85
			●				CE  EAC	
				●			CE  EAC	
					●		CE  EAC	
	●					85-264Vac	CE  EAC	86-87
			●				CE  EAC	
			●			85-264Vac	CE	88-89
				●			CE	
					●		CE	
●		60W				90-264Vac	CE  EAC	90-91
			●				CE  EAC	
			●				CE  EAC	
			●				CE  EAC	
●						90-264Vac	CE  EAC	92-93
		●					CE  EAC	
			●				CE  EAC	
			●				CE  EAC	
●						90-264Vac	CE  EAC	94-95
		●					CE  EAC	
			●				CE  EAC	
			●				CE  EAC	
●						90-264Vac	CE  EAC	96-97
		●					CE  EAC	
			●				CE  EAC	
			●				CE  EAC	
				●		85-264Vac	CE  EAC	

### PJB Open Frame Power Supply Model Numbering

PJ	B -	XXV	XXXW	□	□	A
Open Frame	Product Series B - Power Boost Series	Output Voltage	Output Power	Package Type C - Enclosed L - L Frame <sup>1)</sup> B - Open Frame <sup>1)</sup>	Remote ON/OFF Function N - No Remote ON/OFF R - With Remote ON/OFF <sup>1)</sup>	Delta Standard

1) Options

### PJT Open Frame Power Supply Model Numbering

PJ	T -	XXV	XXXW	□	□	□
Open Frame	Product Series T - ITE Application Series	Output Voltage	Output Power	Package Type B - Open Frame	A - Family Code B - Family Code N - No Remote ON/OFF	Connector Type A - JST connector B - Molex connector <sup>1)</sup> C - JWT connector <sup>1)</sup>

1) Options

# Standard Products

## DIN Rail Power Supply & Modules

CliQ™



The CliQ DIN rail power supply series from one of the world's leading power supply companies, Delta Electronics Group, offers state-of-the-art designs made to withstand harsh industrial environments in accordance to ATEX requirements. The rugged metal or plastic case is both shock and vibration resistant according to IEC 60068-2. The CliQ power supplies include overvoltage, overload and over temperature protections for the output. Using a wide input voltage range design, Delta's CliQ DIN rail power supply series is usable worldwide and features built-in Power Boost of 150% for 3 seconds. Such feature enables reserve power to be always available for reliable startup of loads with high inrush current thus eliminating the need of a more expensive power supply at higher power rating.

### Typical Applications



CliQ<sup>II</sup>



AR

Delta's CliQ II DIN rail power supply series are made to withstand harsh industrial environments with its PCBAs applied with conformal coating. The rugged metal or plastic case is both shock and vibration resistant according to IEC 60068-2 and adhere to IP20 protection level with ATEX certification available as option. The CliQ II power supplies also provide overvoltage, overload and over temperature protections for the output. Using a wide input voltage range design, Delta's CliQ II DIN rail power supply series is usable worldwide and features built-in Power Boost of 150% for 5 seconds. Such feature enables reserve power to be always available for reliable startup of loads with high inrush current without the need of a more expensive power supply at higher power rating.

### Typical Applications



CliQ<sup>M</sup>



AR

Delta Electronics is introducing one of the slimmest DIN rail industrial power supplies in its class, the CliQ M DIN rail power supply series. The high power density product is designed according to major industrial and marine (Lloyd's Register) safety standards. In addition to having Power Boost of 150% up to 7 seconds, the CliQ M series is the first in the CliQ family to provide the Advanced Power Boost (APB) feature. With multiple loads connected in a system and due to one of fault load a large outrush current is drawn (demanded), this will be detected by APB. This APB will trip the circuit breaker (circuit breaker with appropriate rating base on the system load) on the current path of faulty load due to high current. This thus prevents the system from shutting down while the other connected current paths continue to operate without interruption.

### Typical Applications



All Delta power supplies are fully compliant with RoHS Directive 2011/65/EU for environmental protection. For more information or enquiries, please do not hesitate to contact your local Delta Electronics distributor or visit [www.DeltaPSU.com](http://www.DeltaPSU.com).

## LYTE



Delta Lyte DIN rail power supply series is designed for cost sensitive users with essential features fulfilling the needs in general industrial applications without compromising on quality and reliability. The series offers overcurrent protection in constant current mode which makes the Lyte series suitable for inductive and capacitive load applications. In addition, the Lyte series comes with both panel and DIN rail mounting options to provide users with more installation flexibility. The Lyte series features universal AC input range and is certified to safety standard according to IEC/EN/UL 60950-1 for Information Technology Equipment (ITE) and UL 508 for Industrial Control Equipment (ICE).

### Typical Applications



## CHROME



The Chrome DIN rail power supply series is designed for use in compact cabinets which are widely adopted in home automations and the food and beverage industry. Current available specifications are with 5V, 12V and 24V output voltage for power ratings of 10W to 100W. Delta Chrome DIN rail power supply series offers double isolated input. This means that no earth connection is required thus resulting in low leakage current. The Chrome series features universal AC input range and is certified to safety standard according to IEC/EN/UL 60950-1 for Information Technology Equipment (ITE) and UL 508 for Industrial Control Equipment (ICE). NEC Class 2 and Limited Power Source (LPS) approvals are available.

### Typical Applications



## sync



The ultra compact and competitively priced Delta Sync DIN rail power supply series is designed for general industrial applications requiring highly reliable power supply within a tight space. The Sync series operates with universal AC input range and offers full power up to 55°C. All models in the series are certified according to IEC/EN/UL 60950-1 Information Technology Equipment (ITE) and UL 508 Industrial Control Equipment (ICE).

### Typical Applications



## CliQ



The DIN rail modules are designed to work seamlessly with Delta CliQ family of power supplies to increase the operational reliability of the system it is connected with. These products include Buffer module, Redundancy module and DC-UPS module which can be used in most applications that can accommodate DIN rail power supplies.

### Typical Applications



# CliQ DIN Rail Power Supply

## 12V Output



### HIGHLIGHTS & FEATURES

- Universal AC input voltage range
- Power will not de-rate for the entire input voltage range
- Power Boost of 150% for 3 seconds
- Full corrosion resistant aluminium casing for 12V/60W and 12V/100W
- Conforms to harmonic current IEC/EN 61000-3-2, Class A
- Multiple wire connections to terminals allowed
- Conformal coating on PCBAs to protect against common dust and chemical pollutants
- Hazardous Locations approval to ATEX and Class I, Div 2

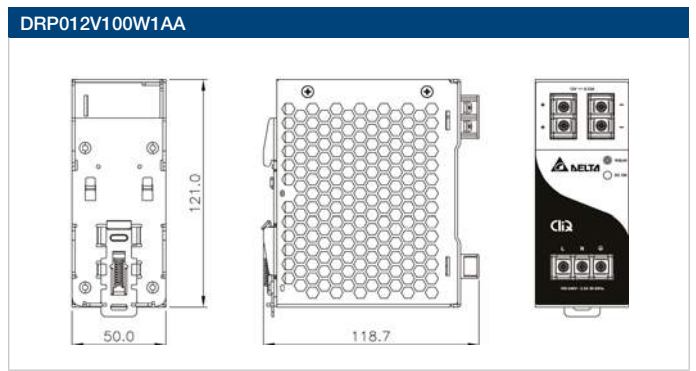
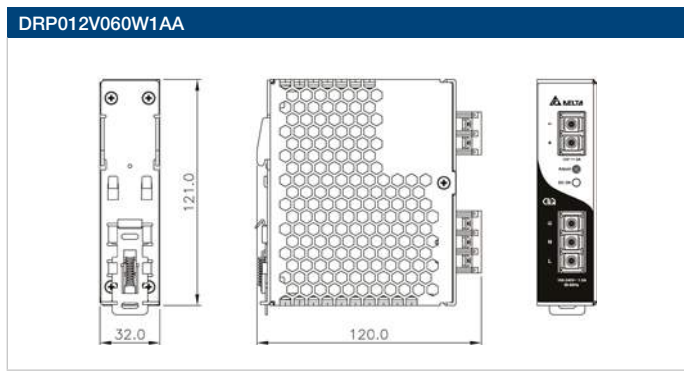
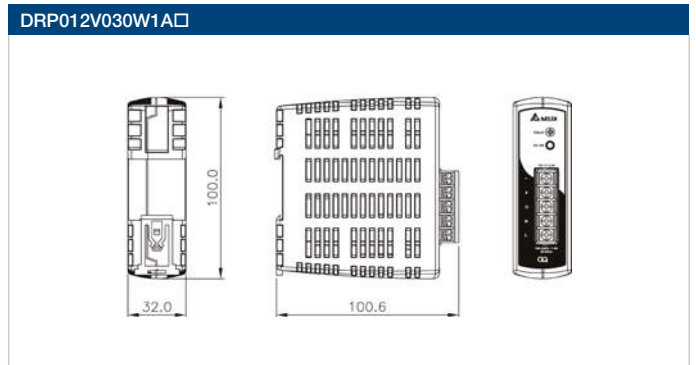
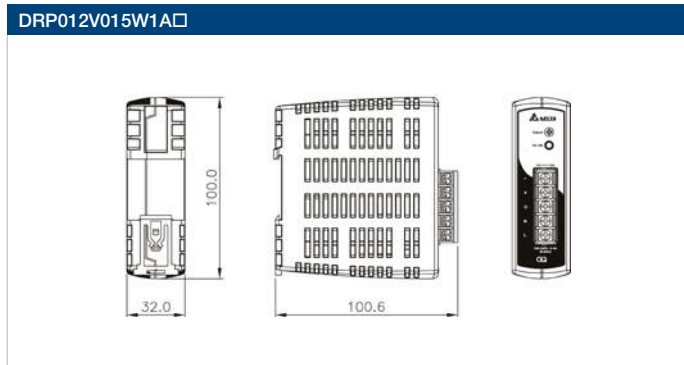
### GENERAL SPECIFICATIONS

OUTPUT	DRP012V015W1A□	DRP012V030W1A□	DRP012V060W1AA	DRP012V100W1AA
Output Voltage	12V	12V	12V	12V
Output Voltage Range	11-14V	11-14V	11-14V	11-14V
Output Current	1.25A	2.50A	5.00A	8.33A
Output Power	15W	30W	60W	100W
Line Regulation	< 0.5% typ. (@ 85-264Vac input, 100% load)			
Load Regulation	< 1% typ. (@ 85-264Vac input, 0-100% load)			
PARD (20MHz)	< 100mVpp			
Hold-up Time	> 22ms @ 115Vac, > 110ms @ 230Vac			
<b>INPUT</b>				
Phase Input	Single Phase			
Input Voltage Range	85-264Vac (DC input range 120-375Vdc) <sup>1)</sup>			
Input Frequency	47-63Hz			
Input Current	< 0.37A @ 115Vac, < 0.22A @ 230Vac	< 0.70A @ 115Vac, < 0.42A @ 230Vac	< 1.35A @ 115Vac, < 0.80A @ 230Vac	< 2.50A @ 115Vac, < 1.50A @ 230Vac
Efficiency <sup>2)</sup> at 100% Load	> 84.0% @ 115Vac, > 83.0% @ 230Vac	> 85.0% @ 115Vac & 230Vac	> 86.0% @ 115Vac & 230Vac	> 85.5% @ 115Vac, > 87.5% @ 230Vac
Max Inrush Current (Cold Start)	< 30A @ 115Vac, < 65A @ 230Vac	< 40A @ 115Vac, < 80A @ 230Vac	< 50A @ 115Vac, < 100A @ 230Vac	< 100A @ 115Vac, No Damage @ 230Vac
Power Factor	Conform to EN 61000-3-2			
Leakage Current	< 1mA @ 240Vac			
<b>MECHANICAL</b>				
Case Cover	Plastic		Aluminium	
Dimensions (L x W x D)	100 x 32 x 100.6 mm (3.94" x 1.26" x 3.96")	100 x 32 x 100.6 mm (3.94" x 1.26" x 3.96")	121 x 32 x 120 mm (4.76" x 1.26" x 4.72")	121 x 50 x 118.7 mm (4.76" x 1.97" x 4.67")
Unit Weight	0.18 kg (0.40 lb)	0.20 kg (0.44 lb)	0.33 kg (0.73 lb)	0.64 kg (1.41 lb)
Cooling System	Convection			
Input Terminal	5 Pins (Rated 300V/15A)		3 Pins (Rated 300V/20A)	
Output Terminal	5 Pins (Rated 300V/15A)		2 Pins (Rated 300V/20A)	
Input / Output Wire	AWG 22-14	AWG 22-14	AWG 22-14	AWG 18-14
MTBF <sup>3)</sup>	> 500,000 hrs	> 500,000 hrs	> 500,000 hrs	> 500,000 hrs
<b>ENVIRONMENT</b>				
Operating Temperature	-20°C to +80°C			
Storage Temperature	-25°C to +85°C			
Power De-rating	> 50°C (2.5% / °C), > 70°C (4% / °C)			
Operating Humidity	5 to 95% RH (Non-Condensing)			
Operating Altitude	0 to 2,000 m (0 to 6,560 ft)			

#### Notes

- 1) All models are certified for DC Input.
- 2) At 25°C ambient temperature by vertical mounting orientation.
- 3) MTBF as per Telcordia SR-332 (Confidence level: 90%, I/P: 115Vac, O/P: 100% load) for vertical mounting orientation.
- 4) All parameters are specified at 25°C ambient temperature unless otherwise indicated.

## MECHANICAL DRAWINGS



\*Units in mm

# CliQ DIN Rail Power Supply

## 24V Output



### HIGHLIGHTS & FEATURES

- Universal AC input voltage range
- Power will not de-rate for the entire input voltage range
- Power Boost of 150% for 3 seconds (480W: 200% for 2 seconds)
- Full corrosion resistant aluminium casing
- SEMI F47 Certified for selected models
- Conforms to harmonic current IEC/EN 61000-3-2, Class A
- Conformal coating on PCBAs to protect against common dust and chemical pollutants (except DRP-24V48W1AZ and DRP024V060W1AZ)
- Hazardous Locations approval to ATEX and Class I, Div 2 (except DRP-24V48W1AZ and DRP024V060W1AZ)

### GENERAL SPECIFICATIONS

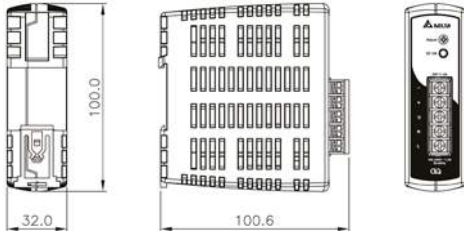
OUTPUT	DRP-24V48W1AZ	DRP024V060W1AZ	DRP024V060W1AA	DRP024V120W1AA	DRP024V240W1AA	DRP024V480W1AA
Output Voltage	24V	24V	24V	24V	24V	24V
Output Voltage Range	22-26V	22-28V	22-28V	22-28V	22-28V	22-28V
Output Current	2.00A	2.50A	2.50A	5.00A	10.0A	20.0A
Output Power	48W	60W	60W	120W	240W	480W
Line Regulation	< 0.5% typ. (@ 85-264Vac input, 100% load), DRP-24V48W1AZ: < 1% typ.					
Load Regulation	< 1% typ. (@ 85-264Vac input, 0-100% load)					
PARD (20MHz)	< 480mVpp		< 240mVpp			
Hold-up Time	> 10ms @ 115Vac, > 60ms @ 230Vac	> 20ms @ 115Vac, > 125ms @ 230Vac		> 35ms @ 115Vac, > 70ms @ 230Vac	> 20ms @ 115Vac & 230Vac	
<b>INPUT</b>						
Phase Input	Single Phase					
Input Voltage Range	85-264Vac (DC input range 120-375Vdc) <sup>1)</sup>					
Input Frequency	47-63Hz					
Input Current	< 1.40A @ 115Vac, < 0.70A @ 230Vac	< 1.10A @ 115Vac, < 0.70A @ 230Vac		< 1.40A @ 115Vac, < 0.80A @ 230Vac	< 2.90A @ 115Vac, < 1.50A @ 230Vac	< 5.70A @ 115Vac, < 2.80A @ 230Vac
Efficiency <sup>2)</sup> at 100% Load	> 87.0% @ 115Vac & > 230Vac	> 86.0% @ 115Vac, > 87.0% @ 230Vac			> 89.0% @ 115Vac, > 91.0% @ 230Vac	> 85.0% @ 115Vac, > 88.0% @ 230Vac
Max Inrush Current (Cold Start)	< 28A @ 115Vac, < 56A @ 230Vac	< 40A @ 115Vac, < 80A @ 230Vac		< 80A @ 115Vac, < 150A @ 230Vac	< 40A @ 115Vac, < 100A @ 230Vac	< 50A @ 115Vac, < 150A @ 230Vac
Power Factor	Conform to EN 61000-3-2			> 0.98 @ 115Vac, > 0.87 @ 230Vac	> 0.96 @ 115Vac, > 0.90 @ 230Vac	> 0.97 @ 115Vac, > 0.95 @ 230Vac
Leakage Current	< 1mA @ 240Vac					< 1.25mA @ 240Vac
<b>MECHANICAL</b>						
Case Cover	Plastic			Aluminium		
Dimensions (L x W x D)	100 x 32 x 100.6 mm (3.94" x 1.26" x 3.96")	120.6 x 32 x 113 mm (4.75" x 1.26" x 4.45")	121 x 32 x 120 mm (4.76" x 1.26" x 4.72")	121 x 50 x 118.7 mm (4.76" x 1.97" x 4.67")	121 x 85 x 118.5 mm (4.76" x 3.35" x 4.67")	121 x 160 x 118.5 mm (4.76" x 6.30" x 4.67")
Unit Weight	0.22 kg (0.49 lb)	0.33 kg (0.73 lb)	0.37 kg (0.82 lb)	0.54 kg (1.19 lb)	1.04 kg (2.29 lb)	1.80 kg (3.97 lb)
Cooling System	Convection					
Input Terminal	5 Pins (Rated 300V/15A)		3 Pins (Rated 300V/20A)			
Output Terminal	5 Pins (Rated 300V/15A)			2 Pins (Rated 300V/20A)		4 Pins (Rated 300V/20A)
Input / Output Wire	AWG 22-14	AWG 22-14	AWG 22-14	AWG 22-14	AWG 22-14	I/P: AWG 16-14, O/P: AWG 12-10
MTBF <sup>3)</sup>	> 500,000 hrs	> 500,000 hrs	> 500,000 hrs	> 500,000 hrs	> 300,000 hrs	> 300,000 hrs
<b>ENVIRONMENT</b>						
Operating Temperature	-20°C to +70°C		-20°C to +80°C			
Storage Temperature	-25°C to +85°C					
Power De-rating	< -10°C to -20°C (1% / °C), < 0°C to -10°C (2% / °C), > 50°C (2.5% / °C)	-20°C to -10°C: 80% Load, < 0°C (2% / °C), > 50°C (2.5% / °C)		< 0°C to -20°C (1% / °C), > 50°C (2.5% / °C)	> 50°C (2.5% / °C)	> 50°C (2.5% / °C), > 70°C (4% / °C)
Operating Humidity	5 to 95% RH (Non-Condensing)					
Operating Altitude	0 to 2,000 m (0 to 6,560 ft)					

#### Notes

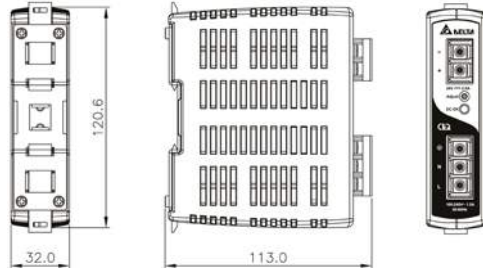
- 1) All models are certified for DC Input except DRP-24V48W1AZ which still fulfills the test conditions of this range. DC input safety approval can be obtained upon request.
- 2) At 25°C ambient temperature by vertical mounting orientation.
- 3) MTBF as per Telcordia SR-332 (Confidence level: 90%, I/P: 115Vac, O/P: 100% load) for vertical mounting orientation.
- 4) All parameters are specified at 25°C ambient temperature unless otherwise indicated.

## MECHANICAL DRAWINGS

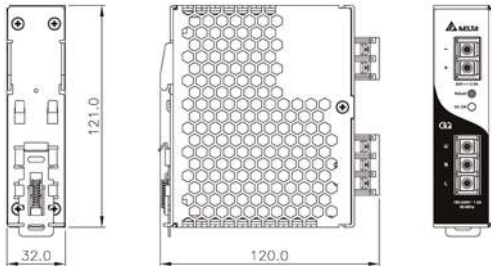
DRP-24V48W1AZ



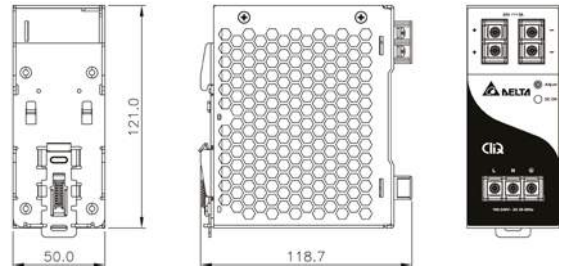
DRP024V060W1AZ



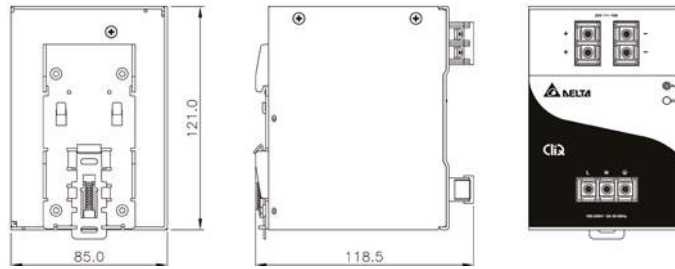
DRP024V060W1AA



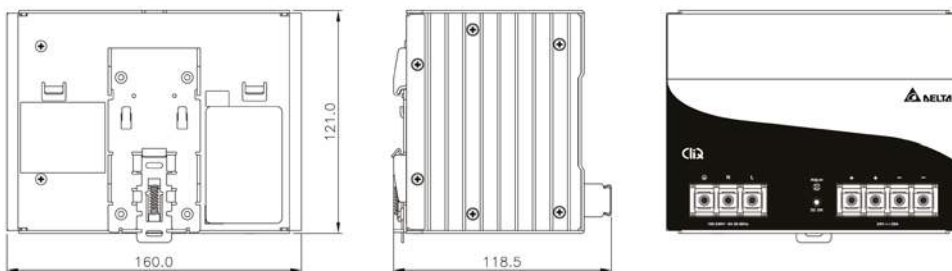
DRP024V120W1AA



DRP024V240W1AA



DRP024V480W1AA



\*Units in mm



# CliQ II DIN Rail Power Supply

## 24V Output



### HIGHLIGHTS & FEATURES

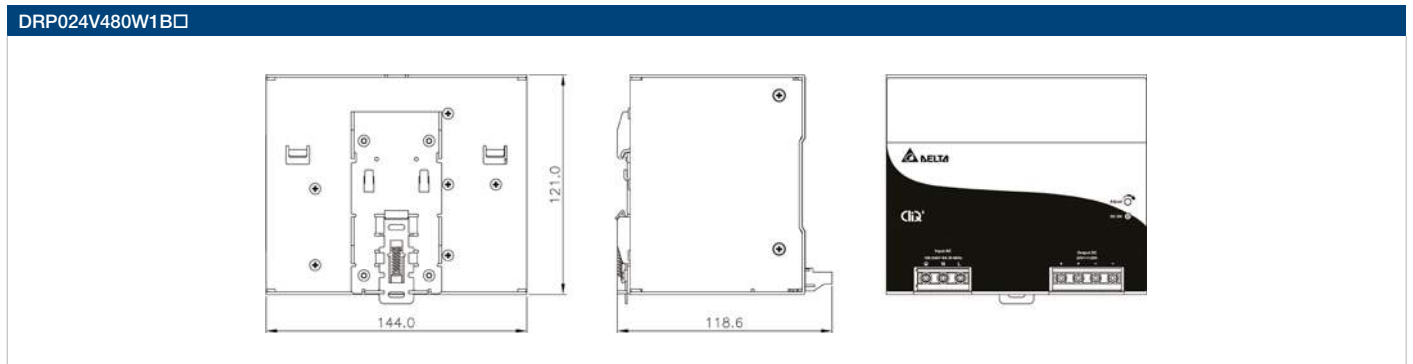
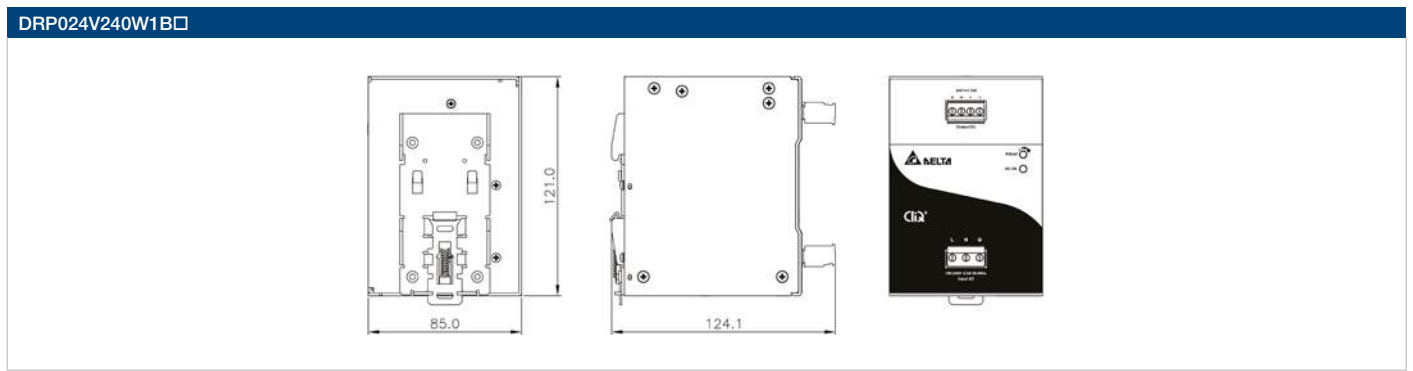
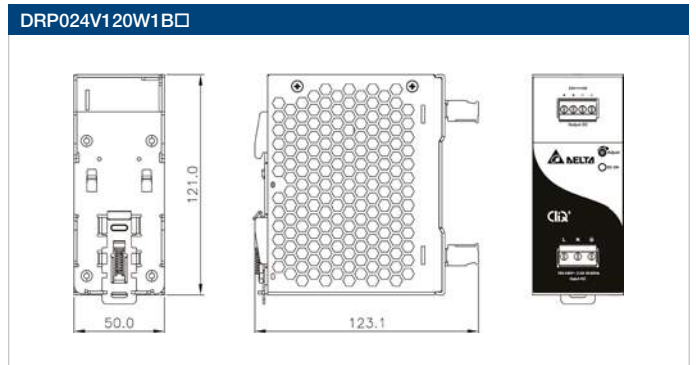
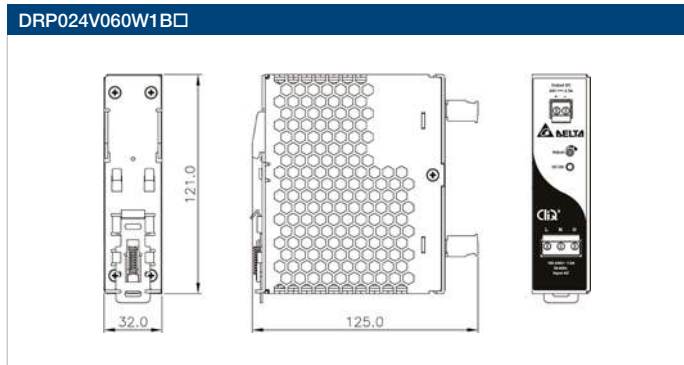
- Universal AC input voltage range
- Power will not de-rate for the entire input voltage range
- High Efficiency > 90.0% @ 230Vac
- Power Boost of 150% for 5 seconds (480W: 200% for 2 seconds)
- Full corrosion resistant aluminium casing
- Conforms to harmonic current IEC/EN 61000-3-2, Class A
- Extreme low temperature cold start at -40°C
- Conformal coating on PCBAs to protect against common dust and chemical pollutants
- Hazardous Locations approval to ATEX and Class I, Div 2

### GENERAL SPECIFICATIONS

OUTPUT	DRP024V060W1B□	DRP024V120W1B□	DRP024V240W1B□	DRP024V480W1B□
Output Voltage	24V	24V	24V	24V
Output Voltage Range	24-28V	24-28V	24-28V	24-28V
Output Current	2.50A	5.00A	10.0A	20.0A
Output Power	60W	120W	240W	480W
Line Regulation	< 0.5% typ. (@ 85-264Vac input, 100% load)			
Load Regulation	< 1% typ. (@ 85-264Vac input, 0-100% load)			
PARD (20MHz)	< 150mVpp			
Hold-up Time	> 20ms @ 115Vac, > 125ms @ 230Vac	> 20ms @ 115Vac, > 115ms @ 230Vac		> 20ms @ 115Vac & 230Vac
<b>INPUT</b>				
Phase Input	Single Phase			
Input Voltage Range	85-264Vac (DC input range 120-375Vdc) <sup>1)</sup>			
Input Frequency	47-63Hz			
Input Current	< 1.40A @ 115Vac, < 0.80A @ 230Vac	< 2.20A @ 115Vac, < 1.10A @ 230Vac	< 2.50A @ 115Vac, < 1.30A @ 230Vac	< 5.00A @ 115Vac, < 3.00A @ 230Vac
Efficiency <sup>2)</sup> at 100% Load	> 90.0% @ 115Vac & 230Vac	> 89.0% @ 115Vac, > 90.0% @ 230Vac	> 90.0% @ 115Vac, > 92.0% @ 230Vac	> 91.0% @ 115Vac, > 92.0% @ 230Vac
Max Inrush Current (Cold Start)	< 20A @ 115Vac, < 35A @ 230Vac	< 35A @ 115Vac & 230Vac		
Power Factor	Conform to EN 61000-3-2		> 0.96 @ 115Vac, > 0.90 @ 230Vac	> 0.96 @ 115Vac, > 0.95 @ 230Vac
Leakage Current	< 1mA @ 240Vac			
<b>MECHANICAL</b>				
Case Cover	Aluminium			
Dimensions (L x W x D)	121 x 32 x 125 mm (4.76" x 1.26" x 4.92")	121 x 50 x 123.1 mm (4.76" x 1.97" x 4.85")	121 x 85 x 124.1 mm (4.76" x 3.35" x 4.89")	121 x 144 x 118.6 mm (4.76" x 5.67" x 4.67")
Unit Weight	0.37 kg (0.82 lb)	0.72 kg (1.59 lb)	1.10 kg (2.43 lb)	1.37 kg (3.02 lb)
Cooling System	Convection			
Input Terminal	Pluggable Connector 3 Pins (Rated 300V/15A)			3 Pins (Rated 300V/30A)
Output Terminal	Pluggable Connector 2 Pins (Rated 300V/15A)	Pluggable Connector 4 Pins (Rated 300V/15A)		4 Pins (Rated 300V/30A)
Input / Output Wire	AWG 22-12	AWG 20-12	AWG 16-12	I/P: AWG 18-10, O/P: AWG 12-10
MTBF <sup>3)</sup>	> 800,000 hrs	> 800,000 hrs	> 500,000 hrs	> 500,000 hrs
<b>ENVIRONMENT</b>				
Operating Temperature	-25°C to +80°C			-25°C to +75°C
Storage Temperature	-40°C to +85°C			
Power De-rating	> 50°C (2.5% / °C)			> 50°C (2.5% / °C), > 70°C (5% / °C)
Operating Humidity	5 to 95% RH (Non-Condensing)			
Operating Altitude	0 to 2,500 m (0 to 8,200 ft)			

- Notes
- 1) All models fulfill the test conditions for this range. DC input safety approval can be obtained upon request. While DRP024V060W1B□ is also certified for DC Input.
  - 2) At 25°C ambient temperature by vertical mounting orientation.
  - 3) MTBF as per Telcordia SR-332 (Confidence level: 90%, I/P: 115Vac, O/P: 100% load) for vertical mounting orientation.
  - 4) All parameters are specified at 25°C ambient temperature unless otherwise indicated.

## MECHANICAL DRAWINGS



\*Units in mm