



Chipsmall Limited consists of a professional team with an average of over 10 year of expertise in the distribution of electronic components. Based in Hongkong, we have already established firm and mutual-benefit business relationships with customers from,Europe,America and south Asia,supplying obsolete and hard-to-find components to meet their specific needs.

With the principle of “Quality Parts,Customers Priority,Honest Operation,and Considerate Service”,our business mainly focus on the distribution of electronic components. Line cards we deal with include Microchip,ALPS,ROHM,Xilinx,Pulse,ON,Everlight and Freescale. Main products comprise IC,Modules,Potentiometer,IC Socket,Relay,Connector.Our parts cover such applications as commercial,industrial, and automotives areas.

We are looking forward to setting up business relationship with you and hope to provide you with the best service and solution. Let us make a better world for our industry!



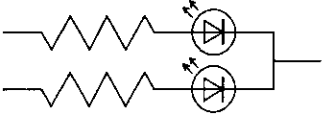
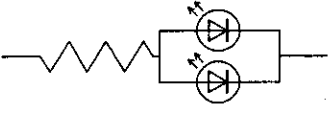
Contact us

Tel: +86-755-8981 8866 Fax: +86-755-8427 6832

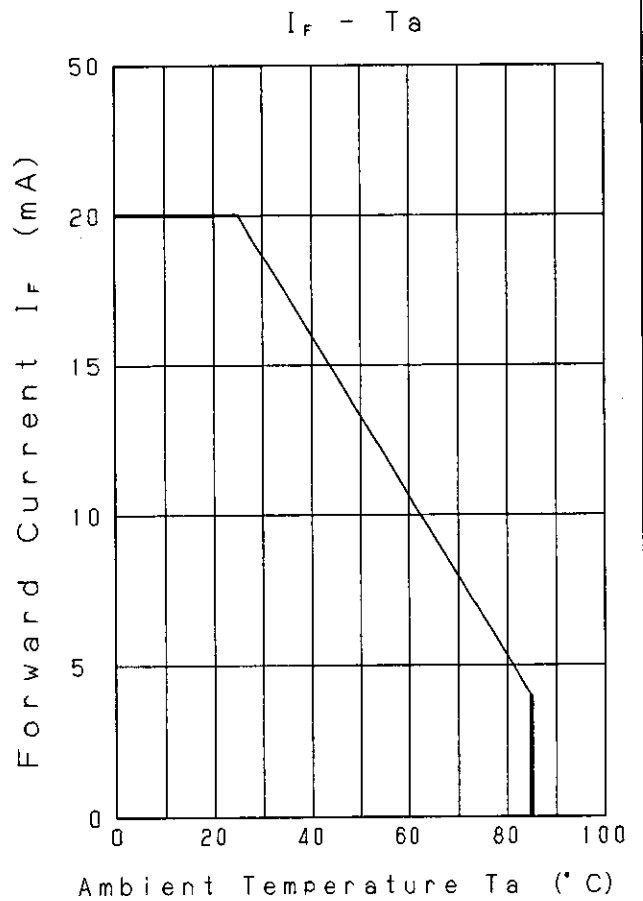
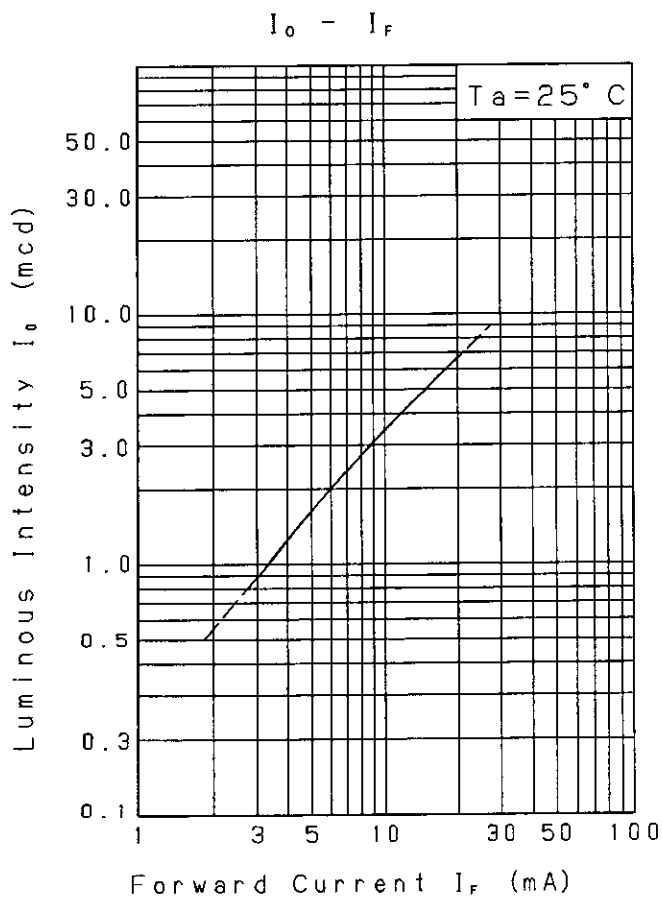
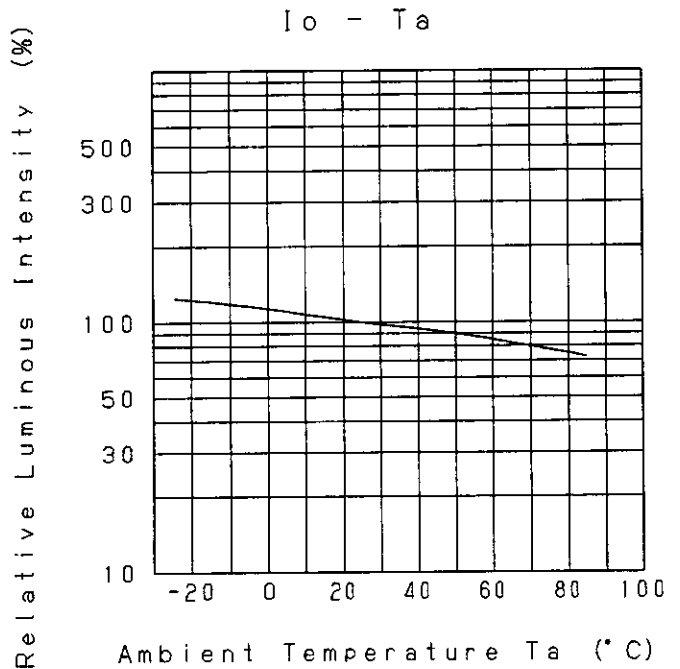
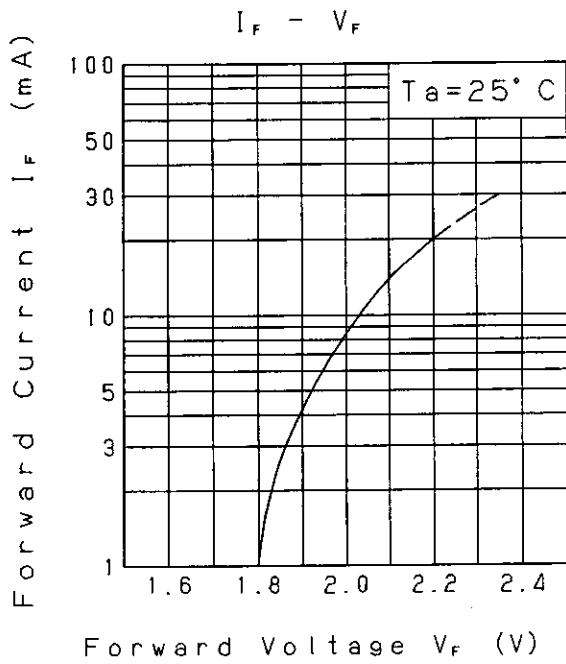
Email & Skype: info@chipsmall.com Web: www.chipsmall.com

Address: A1208, Overseas Decoration Building, #122 Zhenhua RD., Futian, Shenzhen, China



Approved	Checked	Designed	DEVELOPMENT SPECIFICATION							
		<i>K. Ozawa</i>	P/N: LNJ306G5UUX							
TYPE			Green Light Emitting Diode							
APPLICATION			Indicators							
MATERIAL			GaP							
OUTLINE			Attached							
ABSOLUTE MAXIMUM RATINGS			P	※ I _{FP}	I _{DC}	V _R	Topr	Tstg		
			60	60	20	4	-25~+85	-30~+100		
			mW	mA	mA	V	°C	°C		
CONDITION			T _a = 25 ± 3 °C							
Test Specification										
Item	Symbol	Condition	Typ	Limit		Unit				
				Min	Max					
Forward Voltage	V _F	I _F = 10 mA	2.03		2.6	V				
Reverse Leakage Current	I _R	V _R = 4 V			10	μA				
Luminous Intensity	I _O	I _F = 10 mA · DC	3.5	1.35		mcd				
Peak Emission Wavelength	λ _p	I _F = 10 mA · DC	565			nm				
Spectral Line Half Width	Δλ	I _F = 10 mA · DC	30			nm				
<p>※ · The Condition of I_{FP} is duty 10 %, Pulse width 1 ms</p> <p>· Please contact the Panasonic local office if you design at low current (below 1 mA DC) or pulse current operation and have any questions.</p> <p>NOTE</p> <ol style="list-style-type: none"> 1. Compositions of the lead ... Cu/Ni/Au plating 2. Soldering conditions. Refer to Handling note. 3. Care should be taken that soldering is done within 3-days after opening the dry package and reel. 4. Package: Green diffusion type. 5. Circuit to operate LED. 										
						<p>(A) Recommended circuit.</p> <p>(B) The difference of brightness between the LED could be found due to the V_F characteristics of each LED.</p>				
Oct. 27. 2001										

Approved	Checked	Designed	DEVELOPMENT SPECIFICATION				
		<i>K. Honda</i>		P/N:LNJ306G5UUX			



Oct. 27. 2001			

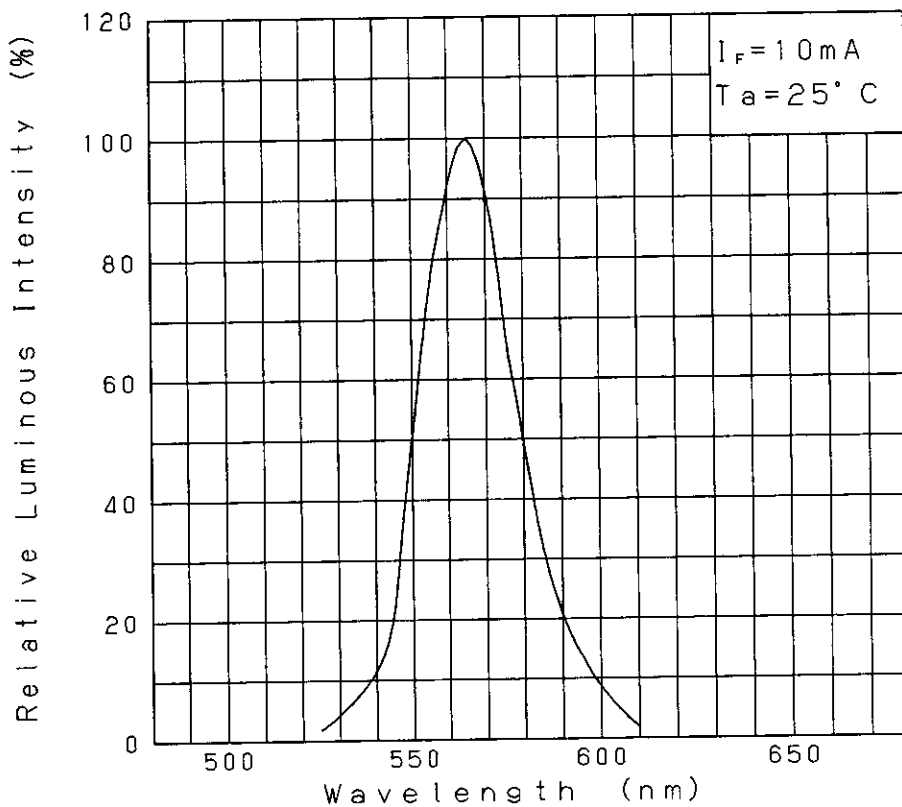
Approved Checked Designed

DEVELOPMENT SPECIFICATION

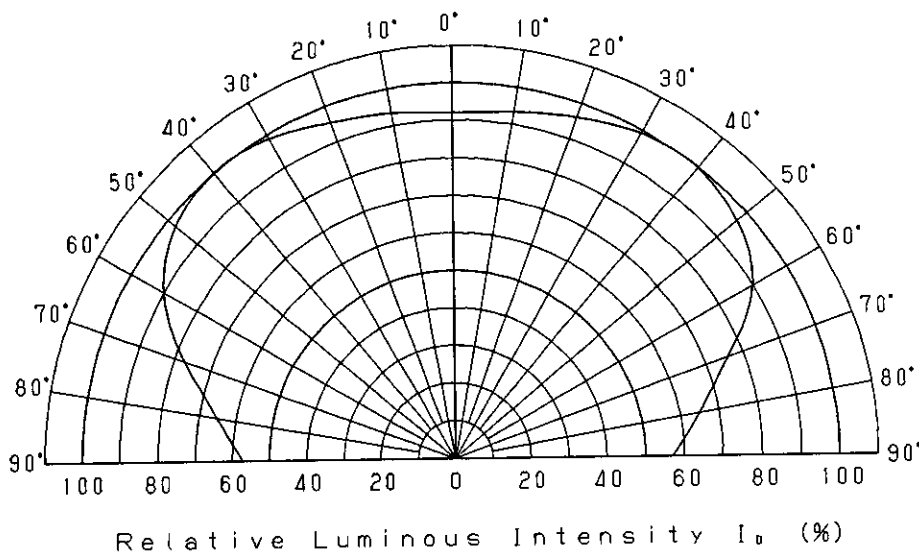
K. O. 10/27/01

P/N:LNJ306G5UUX

Relative Luminous Intensity
Wavelength Characteristics

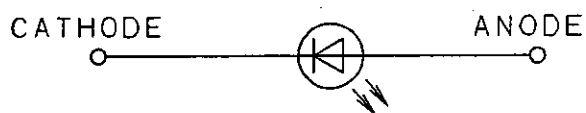
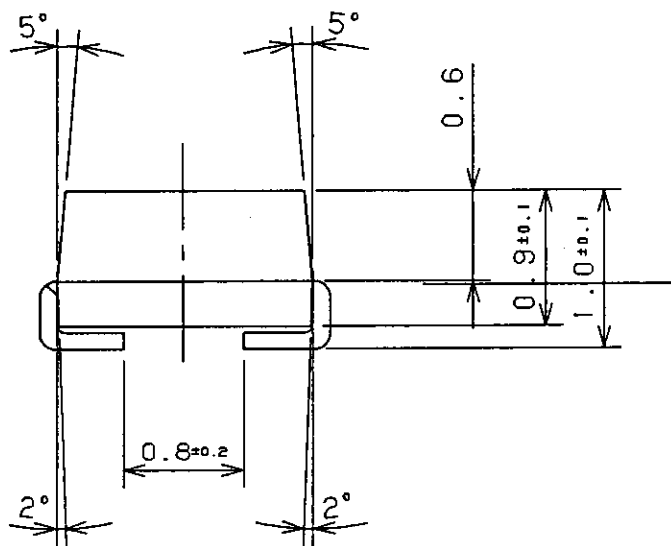
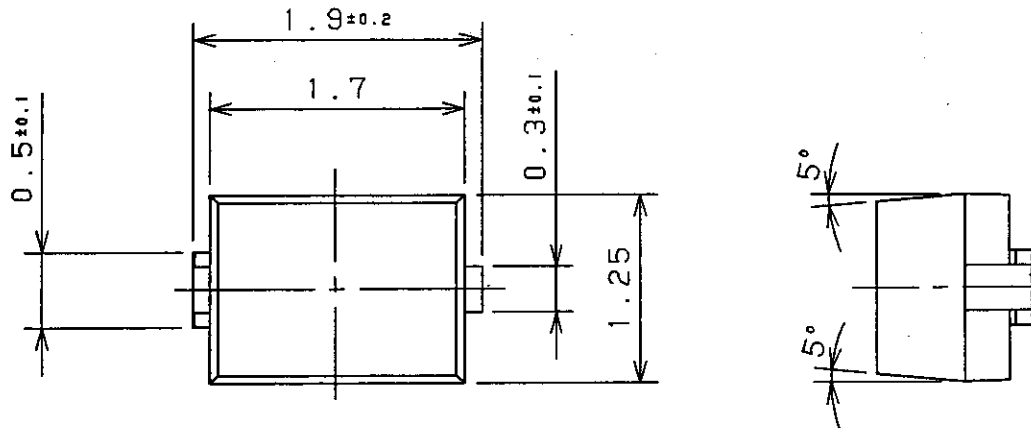


Directive Characteristics



Oct. 27. 2001

Approved	Checked	Designed	DEVELOPMENT SPECIFICATION (OUTLINE)	P/N: _____
		<i>K. Otsu</i>		



(NOTE)

1. Unit: mm
2. Tolerance unless specified is ± 0.2 .
3. Measurement of the Package doesn't include gete projection.
4. Corner of the package is R 0.2max.
5. Projection's tolerance of the package is R 0.2max.

Oct. 27. 2001