



Chipsmall Limited consists of a professional team with an average of over 10 year of expertise in the distribution of electronic components. Based in Hongkong, we have already established firm and mutual-benefit business relationships with customers from,Europe,America and south Asia,supplying obsolete and hard-to-find components to meet their specific needs.

With the principle of “Quality Parts,Customers Priority,Honest Operation,and Considerate Service”,our business mainly focus on the distribution of electronic components. Line cards we deal with include Microchip,ALPS,ROHM,Xilinx,Pulse,ON,Everlight and Freescale. Main products comprise IC,Modules,Potentiometer,IC Socket,Relay,Connector.Our parts cover such applications as commercial,industrial, and automotives areas.

We are looking forward to setting up business relationship with you and hope to provide you with the best service and solution. Let us make a better world for our industry!



Contact us

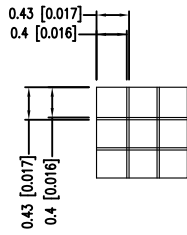
Tel: +86-755-8981 8866 Fax: +86-755-8427 6832

Email & Skype: info@chipsmall.com Web: www.chipsmall.com

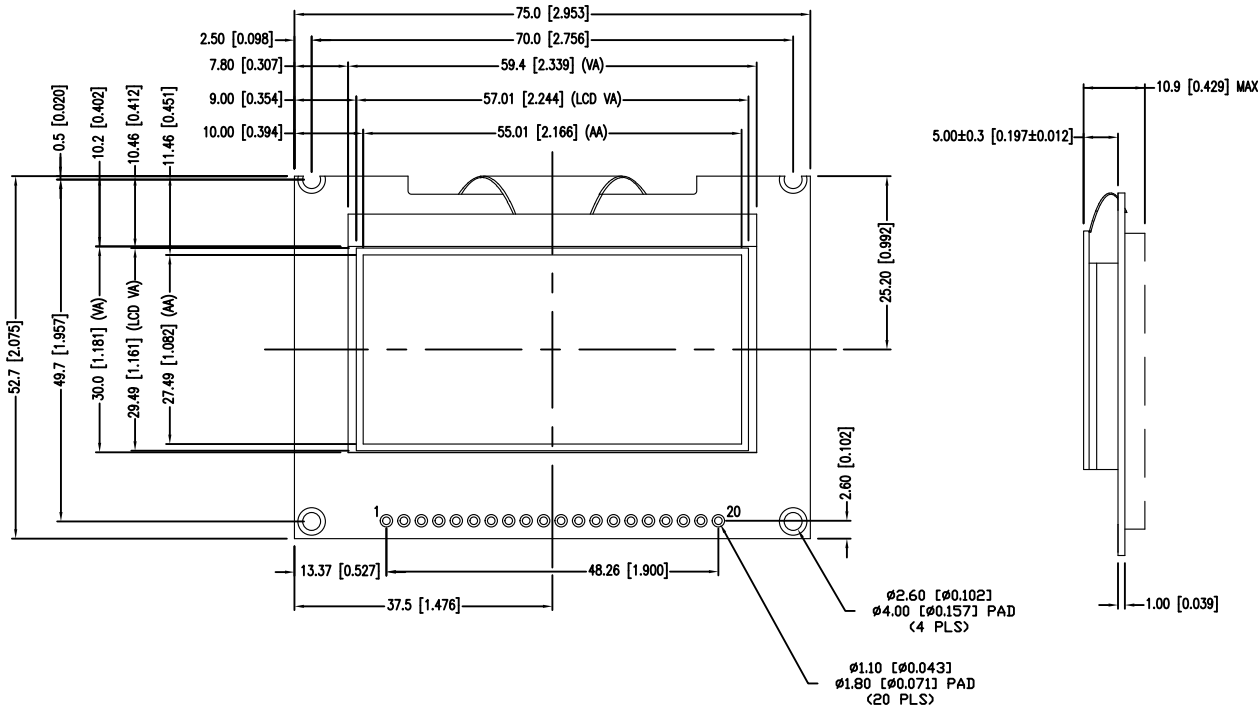
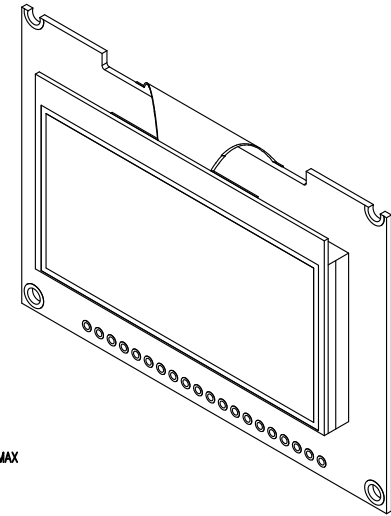
Address: A1208, Overseas Decoration Building, #122 Zhenhua RD., Futian, Shenzhen, China



PART NUMBER		LOD-H12864GP-G	REV.	A
REV	DESCRIPTION		DATE	
A	ECN-Lumex201700090		2017.10.18	



CHARACTER DETAIL
SCALE: 10:1



NOTES:

1. BLACK BACKGROUND.
2. PIXEL COLOR GREEN.
3. MINIMUM VIEWING ANGLE OF 65° FROM 12,3,6,9, O'CLOCK.
4. US2066 CONTROLLER.
5. RoHS COMPLIANT.

CAUTION: STATIC SENSITIVE DEVICE
FOLLOW PROPER E.S.D. HANDLING PROCEDURES
WHEN WORKING WITH THIS PART.

*UNLESS OTHERWISE SPECIFIED TOLERANCES PER DECIMAL PRECISION ARE: X=±1 (±0.039), X.X=±0.5 (±0.020), X.XX=±0.25 (±0.010), X.XXX=±0.127 (±0.005). LEAD SIZE=±0.05 (±0.002), LEAD LENGTH=±0.75 (±0.030). MIN= +DECIMAL PRECISION -0.00, MAX.= +0.00 -DECIMAL PRECISION



425 N. GARY AVE.
CAROL STREAM, IL 60188-4900
PHONE: +1.800.278.5666
FAX: +1.630.315.2152
WEB: WWW.ITWCS.COM

128 X 64 GRAPHIC OLED MODULE, 3.OV, GREEN PIXEL COLOR, W/ BLACK BACKGROUND

THE SPECIFICATIONS MAY CHANGE AT ANY TIME WITHOUT NOTICE DUE TO NEW MATERIALS OR PRODUCT IMPROVEMENT.

CONFIDENTIAL INFORMATION
THE INFORMATION CONTAINED IN THIS DOCUMENT IS THE PROPERTY OF LUMEX INC. EXCEPT AS SPECIFICALLY AUTHORIZED IN WRITING BY LUMEX INC., THE HOLDER OF THIS DOCUMENT SHALL KEEP ALL INFORMATION CONTAINED HEREIN CONFIDENTIAL AND SHALL PROTECT SAME IN WHOLE OR IN PART FROM DISCLOSURE AND DISSEMINATION TO ALL THIRD PARTIES.

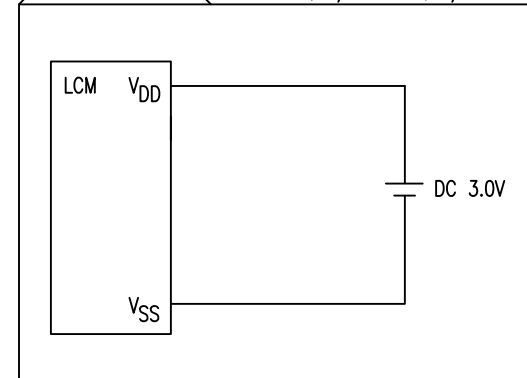
DATE:	10.18.17	DRAWN BY:	C.C.
PAGE:	1 OF 2	CHKD BY:	G.Y.
SCALE:	NTS	APRVD BY:	E.C.
UNIT:	mm [INCH]		



PIN CONFIGURATION

PIN NO.	SYMBOL	LEVEL	DESCRIPTION
1	V _{DD}	3.0V	SUPPLY VOLTAGE FOR LOGIC
2	V _{SS}	0V	SUPPLY VOLTAGE FOR LOGIC GROUND
3	NC	-	-
4	DB0	H/L	DATA BIT 0
5	DB1	H/L	DATA BIT 1
6	DB2	H/L	DATA BIT 2
7	DB3	H/L	DATA BIT 3
8	DB4	H/L	DATA BIT 4
9	DB5	H/L	DATA BIT 5
10	DB6	H/L	DATA BIT 6
11	DB7	H/L	DATA BIT 7
12	CSI	2-0	CHIP SELECTION PIN
13	NC	-	NO CONNECTION
14	/RST	-	HARDWARE RESET PIN
15	R/W	H/L	H:READ (MPU-->MODULE);L:WRITE(MPU-->MODULE)
16	D/I	H/L	H: DATA, L: COMMAND
17	E	H,H >L	CHIP ENABLE SIGNAL
18	V _{CC}	13.0V	SUPPLY VOLTAGE FOR PANEL(POSITIVE VOLTAGE OUTPUT)
19	NC	-	-
20	NC	-	-

BLOCK DIAGRAM 128 X 64, 1/64 DUTY, 1/9 BIAS



ELECTRICAL/OPTO CHARACTERISTICS

V_{DD}=2.8V , V_{CC}=13.0V, 80cd/m², 50% PIXEL ON

ITEM	SYMBOL	CONDITION	STANDARD VALUE			UNIT
			MIN.	TYP.	MAX.	
SUPPLY VOLTAGE FOR LOGIC	V _{DD} -V _{SS}	-	2.8	3.0	3.3	V
SUPPLY VOLTAGE FOR PANEL	V _{CC} -V _{SS}	-	12.5	13.0	13.5	V
INPUT VOLTAGE	HIGH	V _{IH}	0.8V _{DD}	-	V _{DD}	V
	LOW	V _{IL}	0	-	0.2V _{DD}	V
OUTPUT VOLTAGE	HIGH	V _{OH}	0.9V _{DD}	-	V _{DD}	V
	LOW	V _{OL}	0	-	0.1V _{DD}	V
OLED DRIVING CURRENT	IDD	-	-	50	-	mA
VIEW ANGLE			160	-	-	deg
DARK ROOM CONTRAST			-	2000:1	-	-
BRIGHTNESS W/POLARIZER			60	80	-	cd/m ²

ABSOLUTE MAXIMUM RATINGS

ITEM	SYMBOL	TEST CONDITION	STANDARD VALUE		UNIT
			MIN	MAX	
SUPPLY VOLTAGE FOR LOGIC	V _{DD}	T _a =25°C	-0.3	4.0	V
SUPPLY VOLTAGE FOR PANEL	V _{CC}	T _a =25°C	0	15	V
HUMIDITY			-	85	%
OPERATING TEMPERATURE*	Topr	-	-40	70	°C
STORAGE TEMPERATURE**	Tstg	-	-40	85	°C

*OPERATING LIFE 40,000 HRS
 END OF LIFE IS SPECIFIED AS 50 %OF INITIAL BRIGHTNESS
 **LONG TIME STORAGE ENVIRONMENT REQUIRED
 TEMPERATURE: 23±5°C
 HUMIDITY: 10±5% RH

*BRIGHTNESS=80cd/m² , T_a=25°C, 60% RH, V_{DD}=5.0V, V_{CC}=12.0V, 100% DISPLAY AREA TURN ON.

*UNLESS OTHERWISE SPECIFIED TOLERANCES PER DECIMAL PRECISION ARE: X=±1 (±0.039), X.X=±0.5 (±0.020), X.XX=±0.25 (±0.010), X.XXX=±0.127 (±0.005). LEAD SIZE=±0.05 (±0.002), LEAD LENGTH=±0.75 (±0.030). MIN.= +DECIMAL PRECISION MAX.= +0.00 -DECIMAL PRECISION



425 N. GARY AVE.
 CAROL STREAM, IL 60188-4900
 PHONE: +1.800.278.5666
 FAX: +1.630.315.2152
 WEB: WWW.ITWCCS.COM

128 X64 GRAPHIC OLED MODULE, 3.0V, GREEN PIXEL COLOR, W/ BLACK BACKGROUND

THE SPECIFICATIONS MAY CHANGE AT ANY TIME WITHOUT NOTICE DUE TO NEW MATERIALS OR PRODUCT IMPROVEMENT.

CONFIDENTIAL INFORMATION
 THE INFORMATION CONTAINED IN THIS DOCUMENT IS THE PROPERTY OF LUMEX INC. EXCEPT AS SPECIFICALLY AUTHORIZED IN WRITING BY LUMEX INC., THE HOLDER OF THIS DOCUMENT SHALL KEEP ALL INFORMATION CONTAINED HEREIN CONFIDENTIAL AND SHALL PROTECT SAME IN WHOLE OR IN PART FROM DISCLOSURE AND DISSEMINATION TO ALL THIRD PARTIES.

DATE: 10.18.17	DRAWN BY: C.C.
PAGE: 2 OF 2	CHKD BY: G.Y.
SCALE: NTS	APRVD BY: E.C.
UNIT: mm [INCH]	(Pb)