



Chipsmall Limited consists of a professional team with an average of over 10 year of expertise in the distribution of electronic components. Based in Hongkong, we have already established firm and mutual-benefit business relationships with customers from,Europe,America and south Asia,supplying obsolete and hard-to-find components to meet their specific needs.

With the principle of “Quality Parts,Customers Priority,Honest Operation,and Considerate Service”,our business mainly focus on the distribution of electronic components. Line cards we deal with include Microchip,ALPS,ROHM,Xilinx,Pulse,ON,Everlight and Freescale. Main products comprise IC,Modules,Potentiometer,IC Socket,Relay,Connector.Our parts cover such applications as commercial,industrial, and automotives areas.

We are looking forward to setting up business relationship with you and hope to provide you with the best service and solution. Let us make a better world for our industry!



Contact us

Tel: +86-755-8981 8866 Fax: +86-755-8427 6832

Email & Skype: info@chipsmall.com Web: www.chipsmall.com

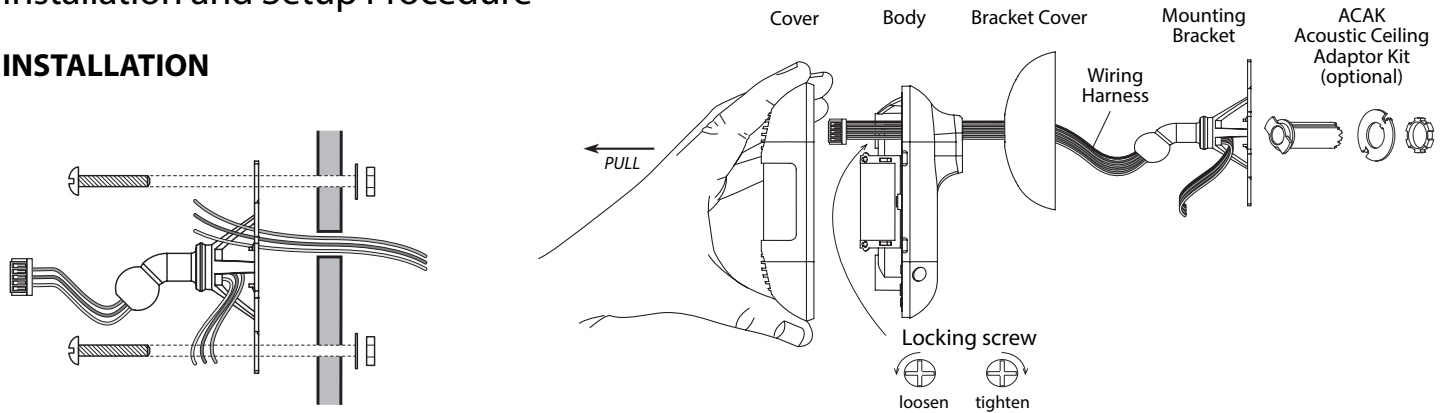
Address: A1208, Overseas Decoration Building, #122 Zhenhua RD., Futian, Shenzhen, China



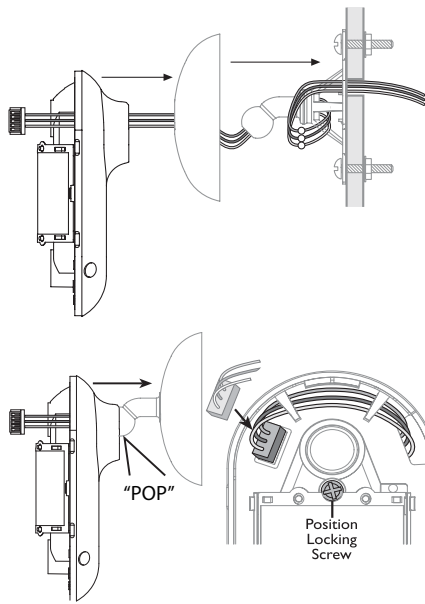
LightOWL® Dual Technology Passive Infrared and Acoustic Sensors LODT and LOIR

Installation and Setup Procedure

INSTALLATION



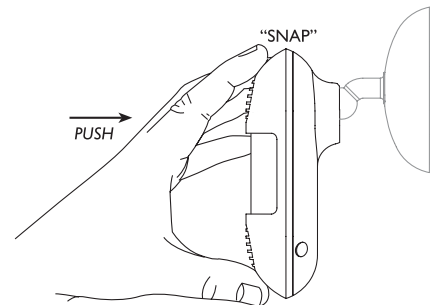
1. Insert wiring through bracket legs. Secure bracket to wall or ceiling. For ACAK Installation see page 2.



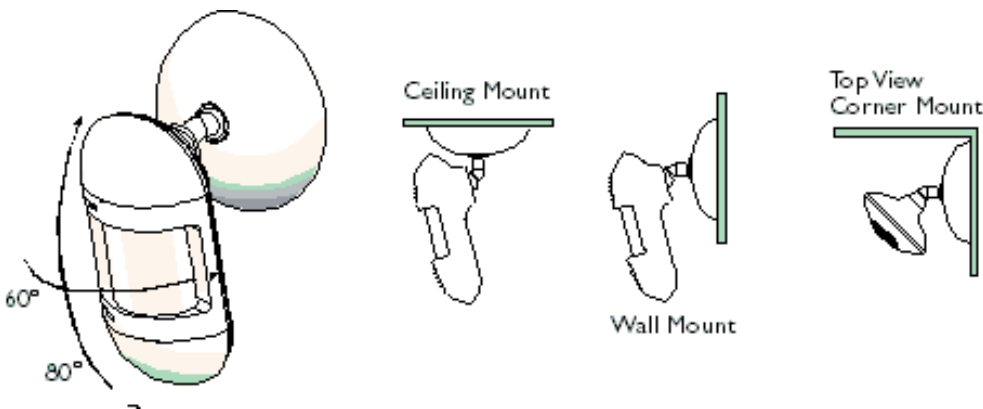
2. Connect building wiring harness with wire nuts. Snap bracket cover in place to conceal wiring and bracket. Feed wiring harness through the back of the sensor body and out exit slot.

3. Snap sensor into mounting post. Plug wiring harness into connector located on the left side opposite exit slot and place wiring under wire tabs. Align sensor and tighten position locking screw.

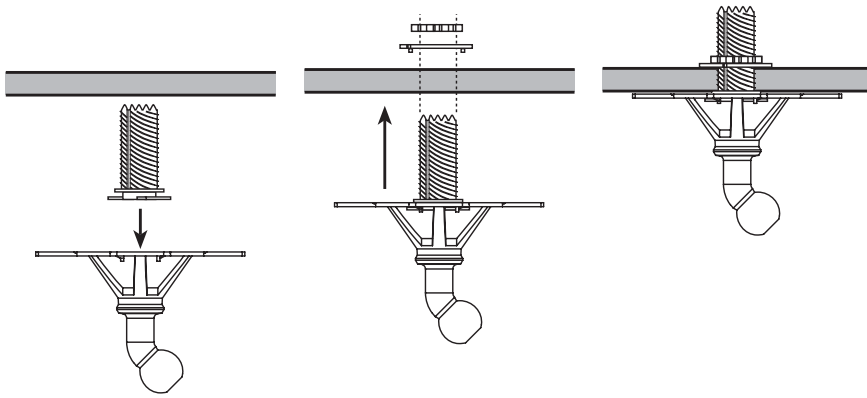
4. Replace sensor cover.



INSTALLATION OPTIONS

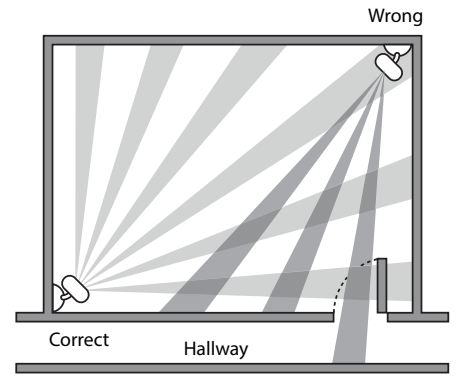


ACAK INSTALLATION (optional)



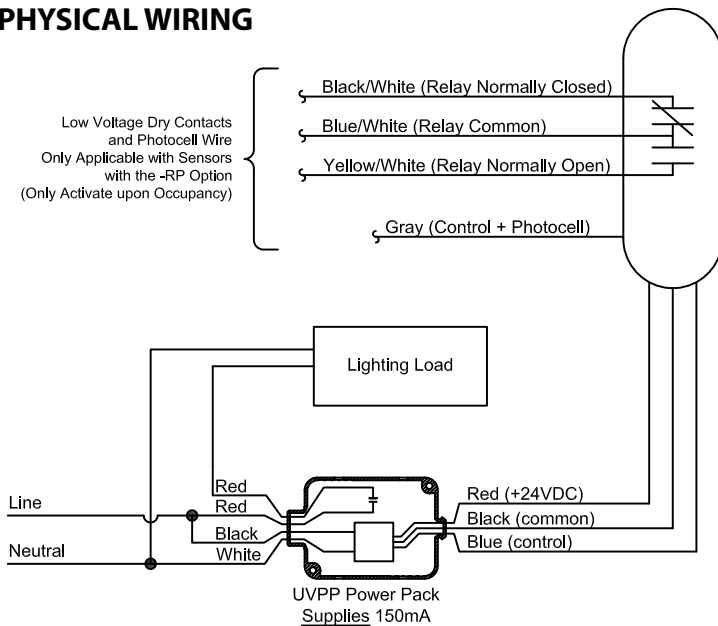
Insert ACAK into mounting bracket and twist clockwise 90° to lock into place. Screw bracket and self-cutting AKAC into ceiling tile and secure with washer and nut.

SENSOR PLACEMENT

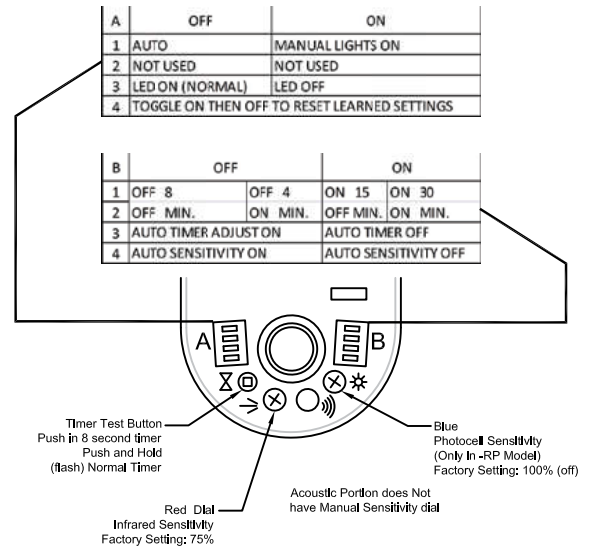


When placing the sensor in a room, do not place where the sensor is aimed out through a door. The sensor can detect hallway traffic, forcing lights-on.

PHYSICAL WIRING



CONTROLS



TROUBLE SHOOTING

| Problem | Possible Cause | Test | Result |
|------------------------------------|------------------------------|--|---------------------------|
| HID Lights Flash Bright-Dim-Bright | Control "Floating" | Unplug all RJ-12 from Flashing Lamp | Replace Affected Cable |
| Lights Stay Dim | Low Voltage Shorten to + 10V | Unplug all RJ-12 form Flashing Lamp | Replace Affected Cable |
| Lights Won't Dim | 15.4 minute Warm Up | Wait 16 minutes | Normal Operation |
| Lights Won't Dim | Common Shorted to Control | Remove all but One sensor from Control | Test One sensor at a time |