



Chipsmall Limited consists of a professional team with an average of over 10 year of expertise in the distribution of electronic components. Based in Hongkong, we have already established firm and mutual-benefit business relationships with customers from,Europe,America and south Asia,supplying obsolete and hard-to-find components to meet their specific needs.

With the principle of “Quality Parts,Customers Priority,Honest Operation,and Considerate Service”,our business mainly focus on the distribution of electronic components. Line cards we deal with include Microchip,ALPS,ROHM,Xilinx,Pulse,ON,Everlight and Freescale. Main products comprise IC,Modules,Potentiometer,IC Socket,Relay,Connector.Our parts cover such applications as commercial,industrial, and automotives areas.

We are looking forward to setting up business relationship with you and hope to provide you with the best service and solution. Let us make a better world for our industry!



## Contact us

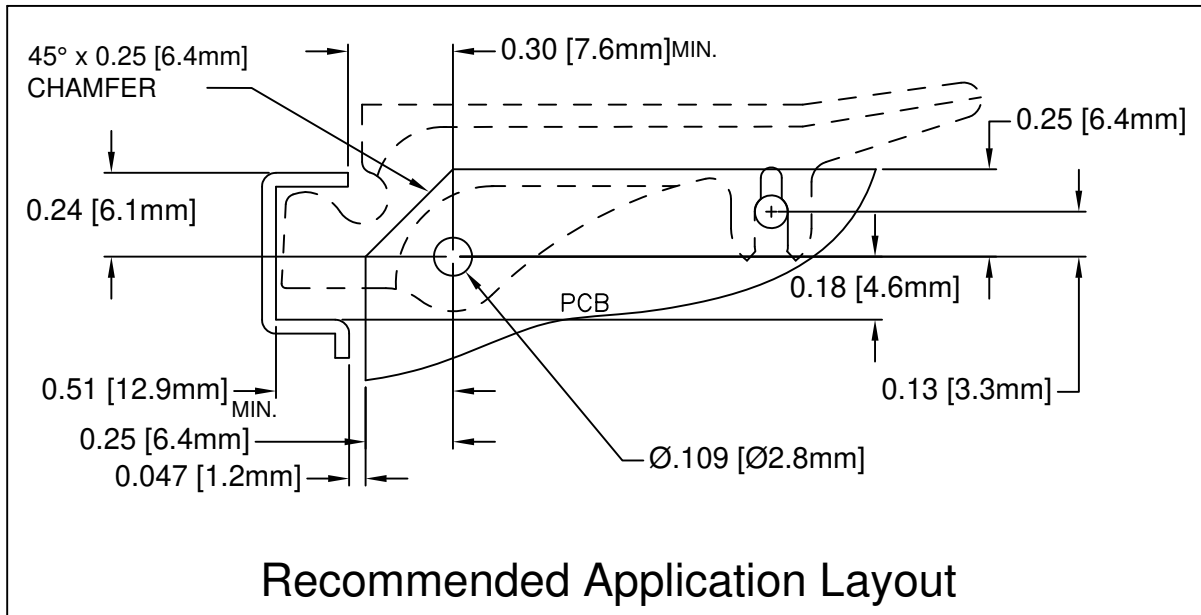
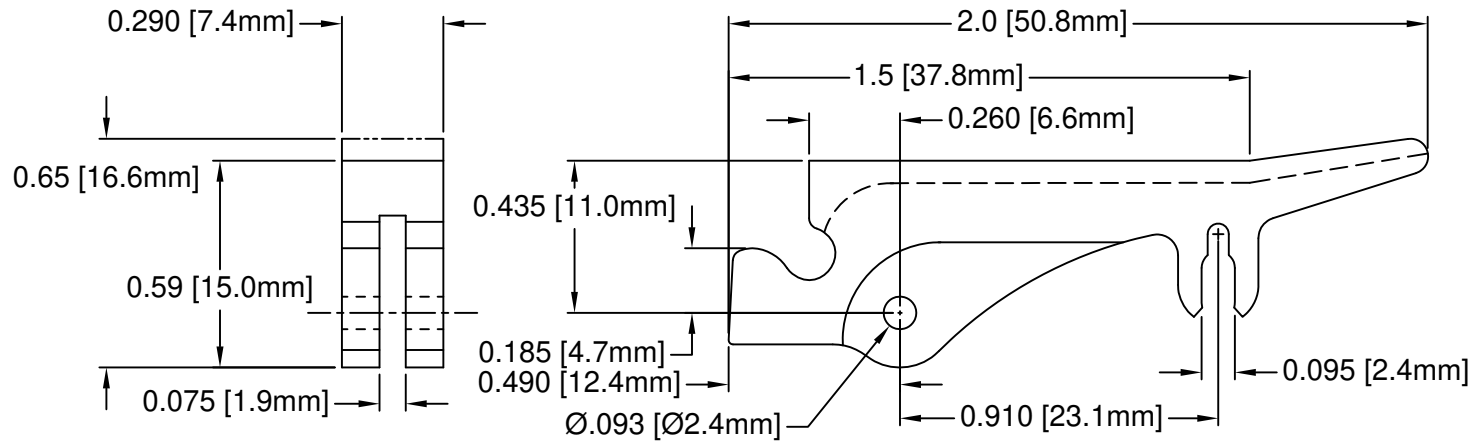
Tel: +86-755-8981 8866 Fax: +86-755-8427 6832

Email & Skype: info@chipsmall.com Web: www.chipsmall.com

Address: A1208, Overseas Decoration Building, #122 Zhenhua RD., Futian, Shenzhen, China



REV.	DESCRIPTION	DATE	APPROVED
B	Engineering Update w/o Changes	02/27/04	M. C.
C	Corrected Typo in Part Number Offering List	11/04/13	T. Y.
D	Added Notes 4, 5 & Updated P/N Table	10/30/15	J. C.



PART NO.	COLOR	ROLL PIN	CARD THICKNESS
LP-1107 NT	NATURAL	RP-250	1/16"(1.6mm)
LP-1107 BK	BLACK	RP-250	

5. PRE-ASSEMBLED ROLL PINS AVAILABLE UPON REQUEST.
4. ROLL PINS INCLUDED. PACKAGED SEPARATELY.
3. MATERIAL: NYLON 6/6, 94V-0, NATURAL.
2. MATERIAL: NYLON 6/6, 94V-0, BLACK.
1. GENERAL SPECIFICATIONS: BIVAR MOLDED COMPONENT SPECIFICATION BV00-E101.

STANDARD TOLERANCE (UNLESS OTHERWISE SPECIFIED)		<b>BIVAR</b> <sup>®</sup> 4 THOMAS, IRVINE, CA. 92618 TEL: (949) 951-8808 FAX: (949) 951-3974	
DECIMALS	ANGULAR		
.X ± .1	X° ± 1°	<b>TITLE:</b> INSERTER/EXTRACTOR	
.XX ± .01			
.XXX ± .005		<b>PART NO:</b> LP-1107 XX <b>REVISION:</b> D	
<b>DESIGNED:</b> S. Irving	<b>DATE:</b> 11/14/00	<b>CAGE CODE :</b> 32559 <b>SHEET #</b> 1 OF 1	
<b>CHECKED:</b> M. Chen	<b>DATE:</b> 07/02/02		
CAD GENERATED DOCUMENT. DO NOT MEASURE DRAWING.			