



Chipsmall Limited consists of a professional team with an average of over 10 year of expertise in the distribution of electronic components. Based in Hongkong, we have already established firm and mutual-benefit business relationships with customers from,Europe,America and south Asia,supplying obsolete and hard-to-find components to meet their specific needs.

With the principle of "Quality Parts,Customers Priority,Honest Operation,and Considerate Service",our business mainly focus on the distribution of electronic components. Line cards we deal with include Microchip,ALPS,ROHM,Xilinx,Pulse,ON,Everlight and Freescale. Main products comprise IC,Modules,Potentiometer,IC Socket,Relay,Connector.Our parts cover such applications as commercial,industrial, and automotives areas.

We are looking forward to setting up business relationship with you and hope to provide you with the best service and solution. Let us make a better world for our industry!



Contact us

Tel: +86-755-8981 8866 Fax: +86-755-8427 6832

Email & Skype: info@chipsmall.com Web: www.chipsmall.com

Address: A1208, Overseas Decoration Building, #122 Zhenhua RD., Futian, Shenzhen, China



Flathead™ Low Profile Transformers Printed Circuit Mount



For Low Power and Critical Height Applications



Signal's LP transformers use hum-bucking (semi-toroidal) construction that minimizes radiated magnetic fields. These transformers are ideal for critical low-height PC board applications.

General Specifications

- Power - 2 VA to 48 VA
- Dielectric Strength - 1500 Vrms Hipot
- Primaries - Dual primaries, 115/230 V - 50/60Hz
- Secondaries - Series or parallel
- Height - 0.65" to 1.375" (16.5 mm to 34.9 mm)
- Insulation System - Class B, 130° C, UL 1446, E66312

Agency Certifications

- UL recognized to UL 506 / UL 5085-2, File # E63829
- CSA - NRTL/C22.2 #66.1, File # 221070



| Part Number | VA | Secondary RMS Rating | |
|-------------|------|----------------------|--------------|
| | Size | Series | Parallel |
| LP-10-250 | 2 | 10VCT @ 250mA | 5V @ 500mA |
| LP-10-600 | 6 | 10VCT @ 600mA | 5V @ 1.2A |
| LP-10-1200 | 12 | 10VCT @ 1200mA | 5V @ 2.4A |
| LP-10-2400 | 24 | 10VCT @ 2.40A | 5V @ 4.80A |
| LP-10-4800 | 48 | 10VCT @ 4.80A | 5V @ 9.60A |
| LP-12-200 | 2 | 12.6VCT @ 200mA | 6.3V @ 400mA |
| LP-12-450 | 6 | 12.6VCT @ 450mA | 6.3V @ 900mA |
| LP-12-900 | 12 | 12.6VCT @ 900mA | 6.3V @ 1.8A |
| LP-12-1900 | 24 | 12.6VCT @ 1.90A | 6.3V @ 3.80A |
| LP-12-3800 | 48 | 12.6VCT @ 3.80A | 6.3V @ 7.60A |
| LP-16-150 | 2 | 16VCT @ 150mA | 8V @ 300mA |
| LP-16-350 | 6 | 16VCT @ 350mA | 8V @ 700mA |
| LP-16-700 | 12 | 16VCT @ 700mA | 8V @ 1.4A |
| LP-16-1500 | 24 | 16VCT @ 1.50A | 8V @ 3.00A |
| LP-16-3000 | 48 | 16VCT @ 3.00A | 8V @ 6.00A |
| LP-20-125 | 2 | 20VCT @ 125mA | 10V @ 250mA |
| LP-20-300 | 6 | 20VCT @ 300mA | 10V @ 600mA |
| LP-20-600 | 12 | 20VCT @ 600mA | 10V @ 1.2A |
| LP-20-1200 | 24 | 20VCT @ 1.20A | 10V @ 2.40A |
| LP-20-2400 | 48 | 20VCT @ 2.40A | 10V @ 4.80A |
| LP-24-100 | 2 | 24VCT @ 100mA | 12V @ 200mA |
| LP-24-250 | 6 | 24VCT @ 250mA | 12V @ 500mA |
| LP-24-500 | 12 | 24VCT @ 500mA | 12V @ 1.00A |
| LP-24-1000 | 24 | 24VCT @ 1.00A | 12V @ 2.00A |
| LP-24-2000 | 48 | 24VCT @ 2.00A | 12V @ 4.00A |

| Part Number | VA | Secondary RMS Rating | |
|-------------|------|----------------------|--------------|
| | Size | Series | Parallel |
| LP-30-85 | 2 | 30VCT @ 85mA | 15V @ 170mA |
| LP-30-200 | 6 | 30VCT @ 200mA | 15V @ 400mA |
| LP-30-400 | 12 | 30VCT @ 400mA | 15V @ 800mA |
| LP-30-800 | 24 | 30VCT @ 800mA | 15V @ 1.60A |
| LP-30-1600 | 48 | 30VCT @ 1.60A | 15V @ 3.20A |
| LP-34-75 | 2 | 34VCT @ 75mA | 17V @ 150mA |
| LP-34-170 | 6 | 34VCT @ 170mA | 17V @ 340mA |
| LP-34-340 | 12 | 34VCT @ 340mA | 17V @ 680mA |
| LP-34-700 | 24 | 34VCT @ 700mA | 17V @ 1.40A |
| LP-34-1400 | 48 | 34VCT @ 1.40A | 17V @ 2.80A |
| LP-40-60 | 2 | 40VCT @ 60mA | 20V @ 120mA |
| LP-40-150 | 6 | 40VCT @ 150mA | 20V @ 300mA |
| LP-40-300 | 12 | 40VCT @ 300mA | 20V @ 600mA |
| LP-40-600 | 24 | 40VCT @ 600mA | 20V @ 1.20A |
| LP-40-1200 | 48 | 40VCT @ 1.20A | 20V @ 2.40A |
| LP-56-45 | 2 | 56VCT @ 45mA | 28V @ 90mA |
| LP-56-100 | 6 | 56VCT @ 100mA | 28V @ 200mA |
| LP-56-200 | 12 | 56VCT @ 200mA | 28V @ 400mA |
| LP-56-425 | 24 | 56VCT @ 425mA | 28V @ 850mA |
| LP-56-850 | 48 | 56VCT @ 850mA | 28V @ 1.70A |
| LP-88-28 | 2 | 88VCT @ 28mA | 44V @ 56mA |
| LP-88-65 | 6 | 88VCT @ 65mA | 44V @ 130mA |
| LP-88-130 | 12 | 88VCT @ 130mA | 44V @ 260mA |
| LP-120-20 | 2 | 120VCT @ 20mA | 60V @ 40mA |
| LP-120-50 | 6 | 120VCT @ 50mA | 60V @ 100mA |
| LP-120-100 | 12 | 120VCT @ 100mA | 60V @ 200mA |
| LP-230-10 | 2 | 230VCT @ 10mA | 115V @ 20mA |
| LP-230-25 | 6 | 230VCT @ 25mA | 115V @ 50mA |
| LP-230-50 | 12 | 230VCT @ 50mA | 115V @ 100mA |

Custom versions available upon request.

©2015 Signal Transformer Inc. Specifications subject to change without notice. 07.15

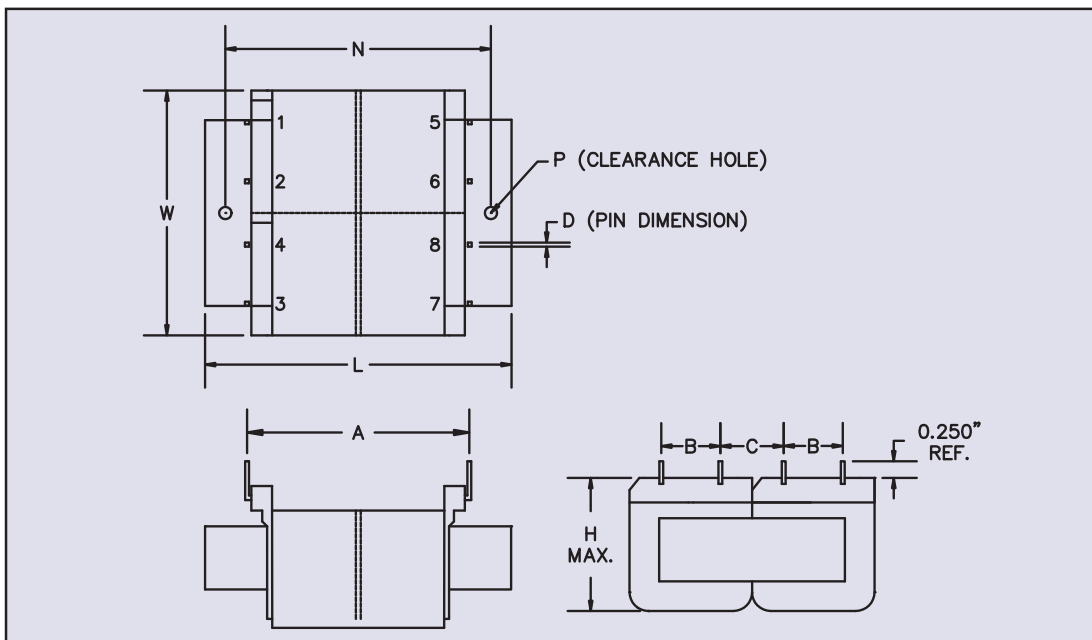
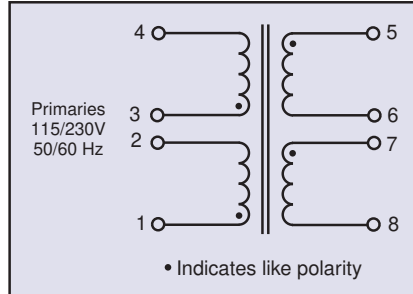


www.signaltransformer.com

500 Bayview Avenue, Inwood, NY 11096
Toll Free 866-239-5777 • Tel 516-239-5777 • Fax 516-239-7208
sales@signaltransformer.com • techhelp@signaltransformer.com

Flathead™ Low Profile Transformers Printed Circuit Mount

For Low Power and Critical Height Applications



| VA | Dimensions | | | | | | | | | Weight |
|------|----------------|----------------|----------------|----------------|----------------|----------------|----------------|------------------------------|--------------------------------|--------------|
| | A | B | C | L | W | H | N | D | P | |
| Size | Inches (mm) | | | | | | | | | oz (kg) |
| 2 | 1.60 (40.6) | 0.37 (9.5) | 0.37 (9.5) | 1.87 (47.5) | 1.56 (39.6) | 0.65 (16.5) | — | .041 x .020 (1.04 x 0.51) | — | 5 (0.14) |
| 6 | 1.60 (40.6) | 0.37 (9.5) | 0.37 (9.5) | 1.87 (47.5) | 1.56 (39.6) | 0.85 (21.6) | — | .041 x .020 (1.04 x 0.51) | — | 7 (0.20) |
| 12 | 2.00 (50.8) | 0.50 (12.7) | 0.50 (12.7) | 2.50 (63.5) | 2.00 (50.8) | 1.06 (27.1) | — | .041 x .020 (1.04 x 0.51) | — | 11 (0.31) |
| 24 | 1.90 (48.3) | 0.60 (15.2) | 0.53 (13.5) | 2.87 (72.9) | 2.25 (57.2) | 1.25 (31.8) | 2.41 (61.2) | .041 SQ pin (1.04 SQ mm) | Clearance Hole for #4 Screw | 15 (0.43) |
| 48 | 2.18 (55.4) | 0.60 (15.2) | 0.66 (16.8) | 3.12 (79.2) | 2.50 (63.5) | 1.37 (34.9) | 2.62 (66.5) | .041 SQ pin (1.04 SQ mm) | Clearance Hole for #6 Screw | 21 (0.60) |

Custom versions available upon request.

©2015 Signal Transformer Inc. Specifications subject to change without notice. 07.15



www.signaltransformer.com

500 Bayview Avenue, Inwood, NY 11096
Toll Free 866-239-5777 • Tel 516-239-5777 • Fax 516-239-7208
sales@signaltransformer.com • techhelp@signaltransformer.com