



Chipsmall Limited consists of a professional team with an average of over 10 year of expertise in the distribution of electronic components. Based in Hongkong, we have already established firm and mutual-benefit business relationships with customers from,Europe,America and south Asia,supplying obsolete and hard-to-find components to meet their specific needs.

With the principle of “Quality Parts,Customers Priority,Honest Operation,and Considerate Service”,our business mainly focus on the distribution of electronic components. Line cards we deal with include Microchip,ALPS,ROHM,Xilinx,Pulse,ON,Everlight and Freescale. Main products comprise IC,Modules,Potentiometer,IC Socket,Relay,Connector.Our parts cover such applications as commercial,industrial, and automotives areas.

We are looking forward to setting up business relationship with you and hope to provide you with the best service and solution. Let us make a better world for our industry!



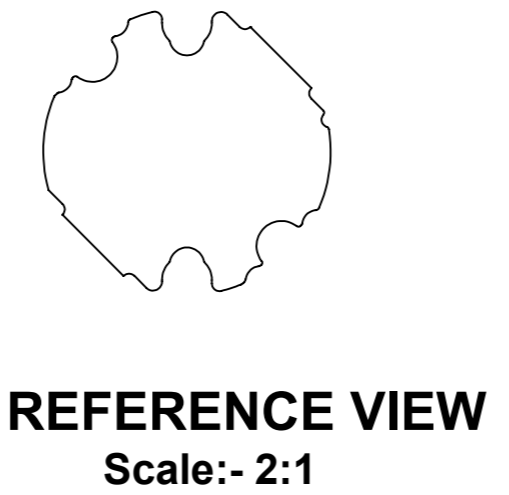
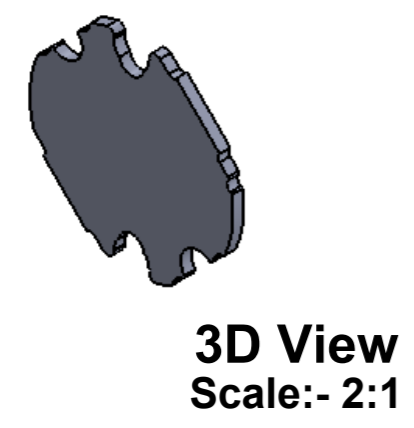
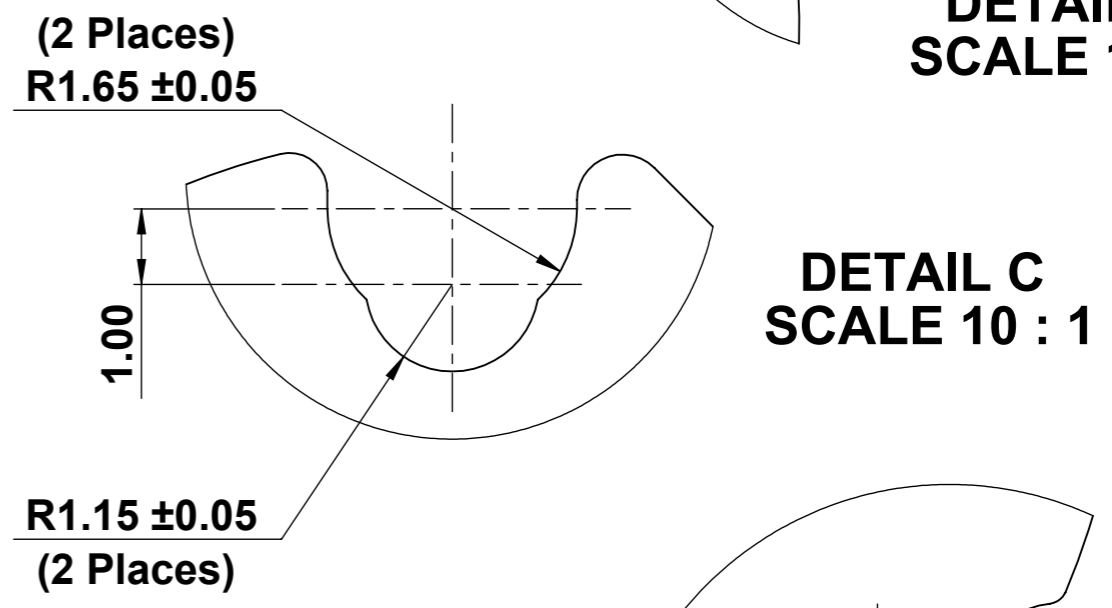
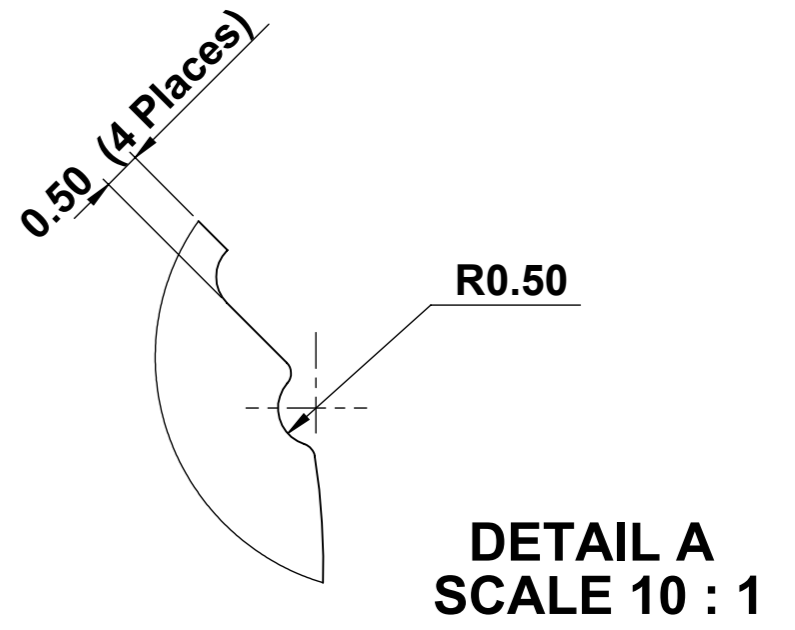
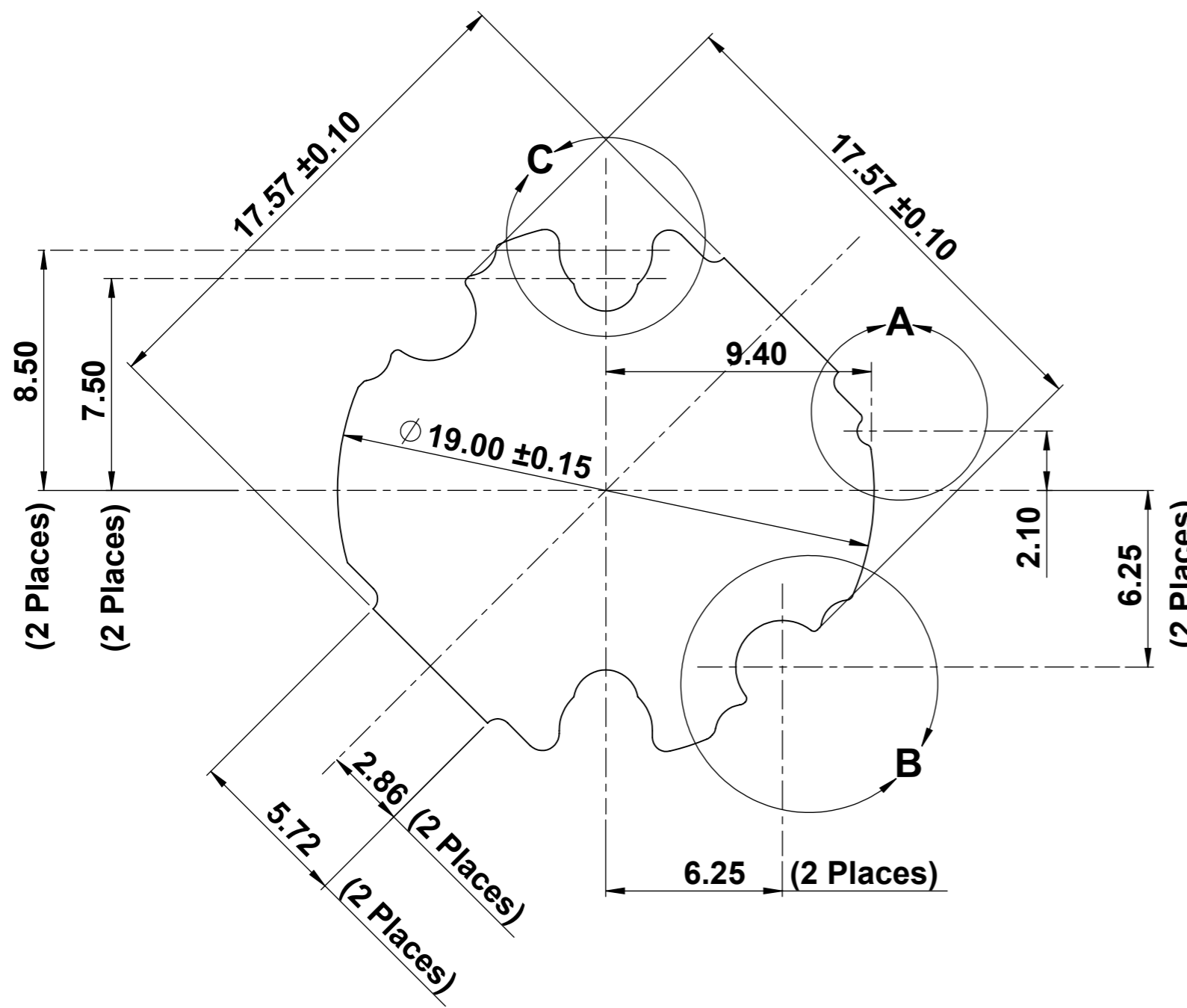
Contact us

Tel: +86-755-8981 8866 Fax: +86-755-8427 6832

Email & Skype: info@chipsmall.com Web: www.chipsmall.com

Address: A1208, Overseas Decoration Building, #122 Zhenhua RD., Futian, Shenzhen, China





UNLESS OTHERWISE SPECIFIED: DIMENSIONS ARE IN MILLIMETERS SURFACE FINISH: TOLERANCES: LINEAR: ANGULAR:			t-Global Technology		DO NOT SCALE DRAWING	REVISION
					LP0003/01-Material Ref.-Thickness(T mm.)	
					Ordering No. LP0003/01-L37-3F-0.3-2A	
					TITLE: LUMI - PAD for LED Configuration	
DRAWN L. Simpson			DATE 16 th July 2012		LP0003/01-L37-3F-0.3-2A	
CHK'D						
APPV'D						
MFG						
Used On:- LUXEON LXX8-PWxx-0004			DWG NO.		A3	
			LP0003/01-L37-3F-0.3-2A			
			WEIGHT:		SCALE: 5:1	
					SHEET 1 OF 1	