



Chipsmall Limited consists of a professional team with an average of over 10 year of expertise in the distribution of electronic components. Based in Hongkong, we have already established firm and mutual-benefit business relationships with customers from,Europe,America and south Asia,supplying obsolete and hard-to-find components to meet their specific needs.

With the principle of “Quality Parts,Customers Priority,Honest Operation,and Considerate Service”,our business mainly focus on the distribution of electronic components. Line cards we deal with include Microchip,ALPS,ROHM,Xilinx,Pulse,ON,Everlight and Freescale. Main products comprise IC,Modules,Potentiometer,IC Socket,Relay,Connector.Our parts cover such applications as commercial,industrial, and automotives areas.

We are looking forward to setting up business relationship with you and hope to provide you with the best service and solution. Let us make a better world for our industry!



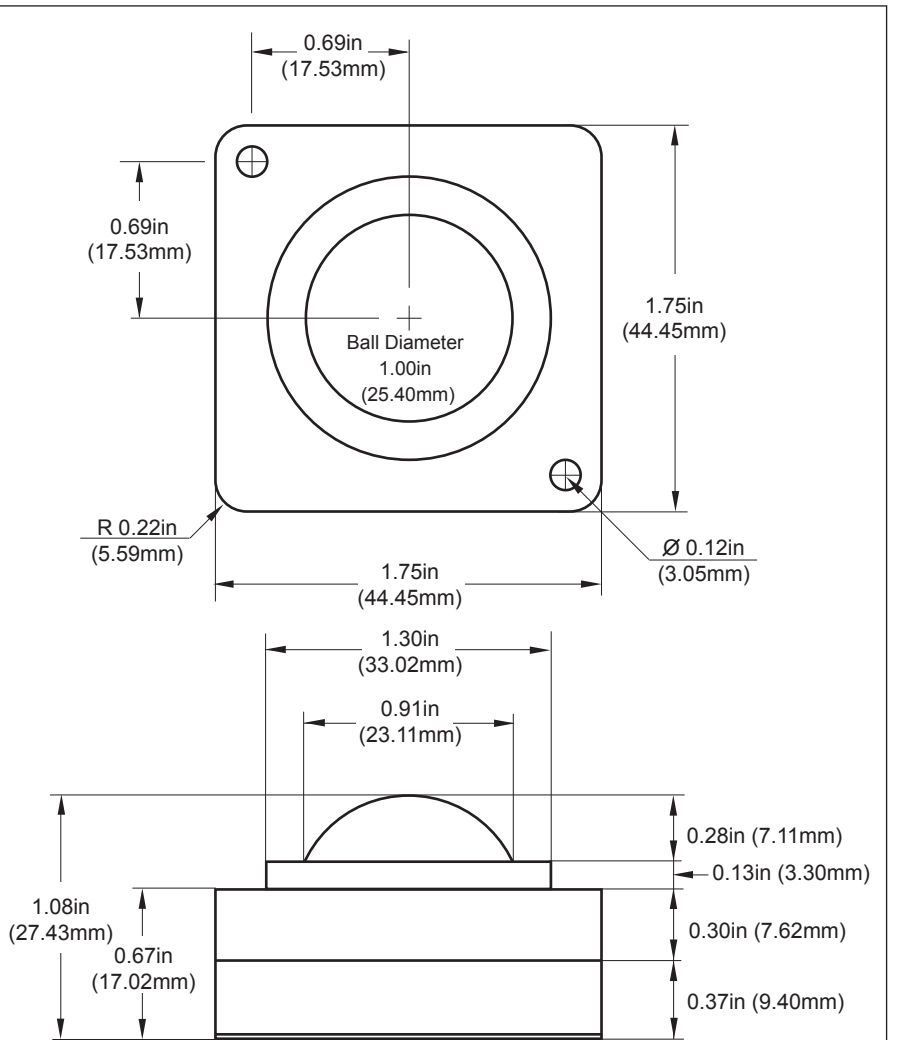
Contact us

Tel: +86-755-8981 8866 Fax: +86-755-8427 6832

Email & Skype: info@chipsmall.com Web: www.chipsmall.com

Address: A1208, Overseas Decoration Building, #122 Zhenhua RD., Futian, Shenzhen, China





SPECIFICATIONS

ELECTRICAL

USB
 INPUT: 5V @ 25mA max
 OUTPUT: USB 1.1

MECHANICAL

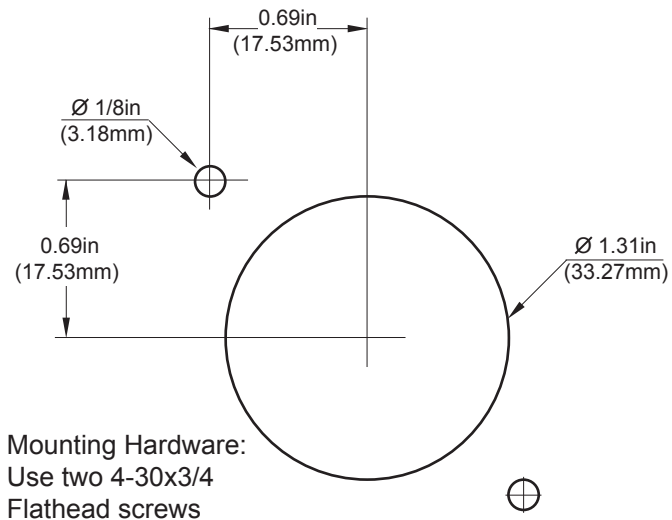
BALL DIAMETER: 1"
 BALL ROTATION: Continuous
 BALL COLOR: Black
 TRACKING FORCE: 15g
 WEIGHT: 33.5g
 LIFE CYCLE (BALL ROTATIONS): 5 Million

RoHS compliant

3-BUTTON STRIP (CH P/N: 100-133BX)

3-BUTTON STRIP RATING:
 5 Million operations @ 500mA @ 12VDC

MOUNTING CUTOUT DIMENSIONS



CH
 Products

P/N

LP1007EXXH00

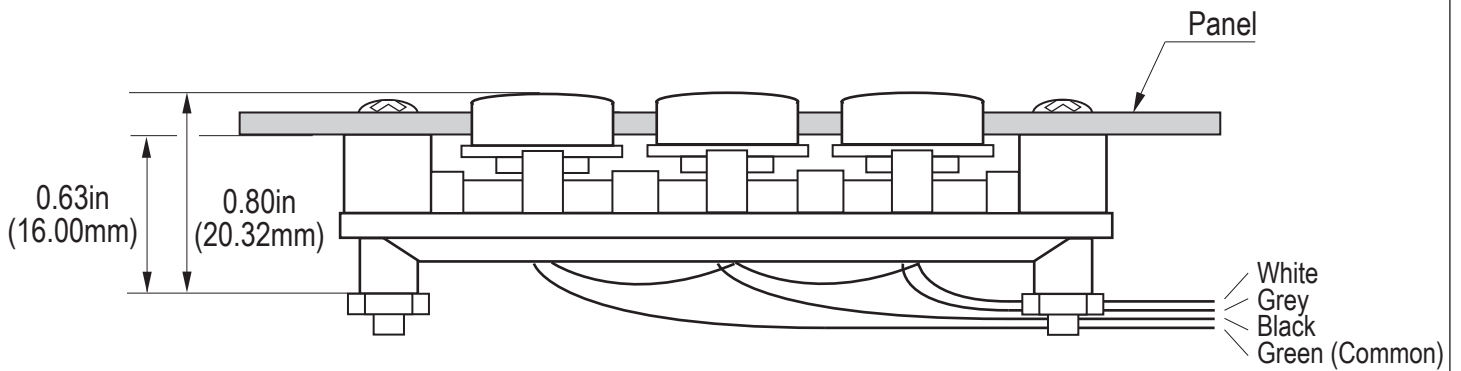
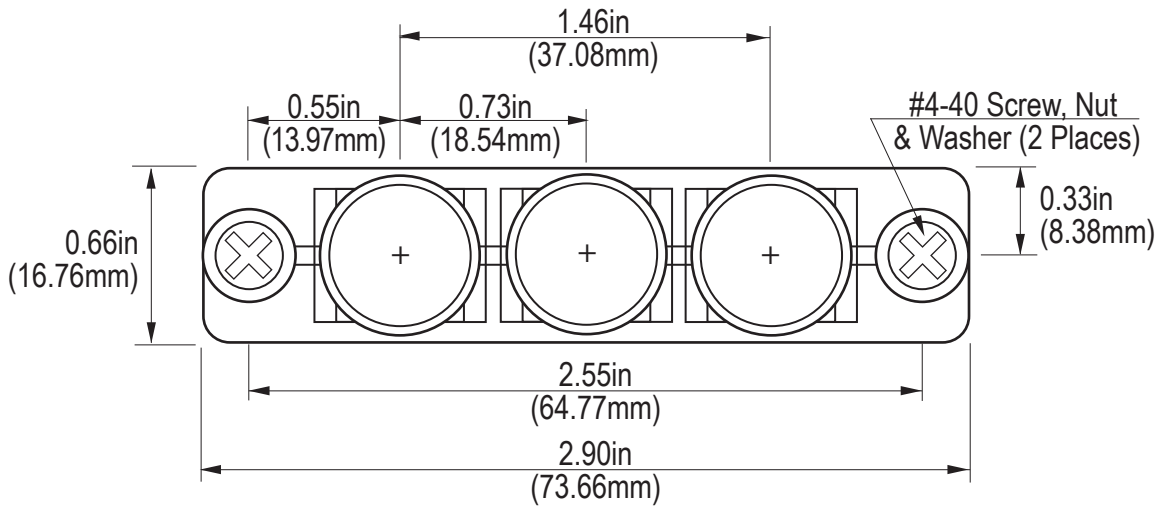
REV
A

DESCRIPTION

LP100 - 1.00" USB Trackball


PROPRIETARY AND CONFIDENTIAL

THE INFORMATION CONTAINED IN THIS DRAWING IS THE SOLE PROPERTY OF CH PRODUCTS. ANY REPRODUCTION IN PART OR AS WHOLE WITHOUT THE WRITTEN PERMISSION OF CH PRODUCTS IS PROHIBITED.



SPECIFICATIONS

- Tactile feedback
- Normally open momentary contact switch
- 5 million lifecycle rating at 500mA at 12VDC
- Black, convex button caps
- RoHS compliant

	P/N	100-133BX	REV	A
	DESCRIPTION	3-Button Strip		
	<small>PROPRIETARY AND CONFIDENTIAL THE INFORMATION CONTAINED IN THIS DRAWING IS THE SOLE PROPERTY OF CH PRODUCTS. ANY REPRODUCTION IN PART OR AS WHOLE WITHOUT THE WRITTEN PERMISSION OF CH PRODUCTS IS PROHIBITED.</small>			