



Chipsmall Limited consists of a professional team with an average of over 10 year of expertise in the distribution of electronic components. Based in Hongkong, we have already established firm and mutual-benefit business relationships with customers from,Europe,America and south Asia,supplying obsolete and hard-to-find components to meet their specific needs.

With the principle of “Quality Parts,Customers Priority,Honest Operation,and Considerate Service”,our business mainly focus on the distribution of electronic components. Line cards we deal with include Microchip,ALPS,ROHM,Xilinx,Pulse,ON,Everlight and Freescale. Main products comprise IC,Modules,Potentiometer,IC Socket,Relay,Connector.Our parts cover such applications as commercial,industrial, and automotives areas.

We are looking forward to setting up business relationship with you and hope to provide you with the best service and solution. Let us make a better world for our industry!



Contact us

Tel: +86-755-8981 8866 Fax: +86-755-8427 6832

Email & Skype: info@chipsmall.com Web: www.chipsmall.com

Address: A1208, Overseas Decoration Building, #122 Zhenhua RD., Futian, Shenzhen, China



300V, Dual P-Channel Enhancement-Mode Lateral MOSFET

Features

- ▶ 300V breakdown voltage
- ▶ Integrated gate-to-source resistor
- ▶ Integrated gate-to-source Zener diode
- ▶ Low input capacitance
- ▶ Fast switching speeds
- ▶ Free from secondary breakdown

Applications

- ▶ High voltage level translators
- ▶ Current sources
- ▶ High side switches
- ▶ Discrete Amplifier

General Description

The LP1030D is a dual high voltage P-channel enhancement-mode (normally-off) lateral MOSFET. Each MOSFET has integrated gate-to-source resistor and gate-to-source Zener diode. This allows the device to be easily driven with a capacitively coupled gate drive circuit.

The LP1030D utilizes an advanced lateral MOSFET structure and Supertex's well-proven silicon-gate manufacturing process. This combination produces devices with the power handling capabilities of bipolar transistors and with the high input impedance and positive temperature coefficient inherent in MOS devices.

Characteristic of all MOS structures, these devices are free from thermal runaway and thermally-induced secondary breakdown.

Ordering Information

Part Number	Package Option	Packing
LP1030DK1-G	5-Lead SOT-23	2500/Reel

-G denotes a lead (Pb)-free / RoHS compliant package

Product Summary

BV_{DSS} (V)	$R_{DS(ON)}$ (typ Ω)	$V_{GS(th)}$ (max V)	$I_{D(ON)}$ (min mA)
-300	180	-2.4	-50

Absolute Maximum Ratings

Parameter	Value
Drain-to-source voltage	BV_{DSS}
Drain-to-gate voltage	BV_{DGS}
Gate-Source voltage	-16V to +1.0V
Operating temperature range	-25°C to 125°C

Absolute Maximum Ratings are those values beyond which damage to the device can occur. Functional operation under these conditions is not implied. Continuous operation of the device at the absolute rating level may affect device reliability. All voltages are referenced to device ground.

Typical Thermal Resistance

Package	θ_{ja}
5-Lead SOT-23	253°C/W

Note:

Thermal testboard per JEDEC JESD51-7

Pin Configuration



5-Lead SOT-23
(Top View)

Package Marking

P0TW W = Code for Week Sealed
 = "Green" Packaging

Package may or may not include the following marks: Si or

5-Lead SOT-23

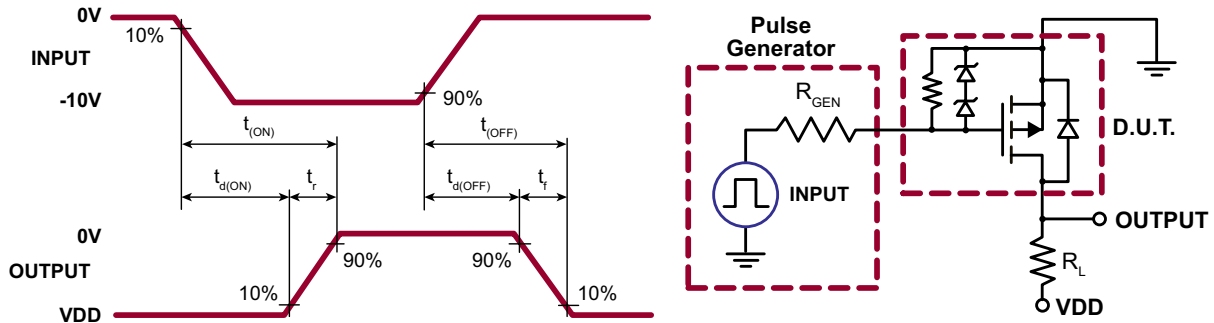
P-Channel Electrical Characteristics ($T_J = 25^\circ\text{C}$ unless otherwise specified)

Sym	Parameter	Min	Typ	Max	Units	Conditions
BV_{DSS}	Drain-to-source breakdown voltage	-300	-	-	V	$V_{GS} = 0V, I_D = -2.0mA$
$V_{GS(th)}$	Gate threshold voltage	-1.4	-1.7	-2.4	V	$V_{GS} = V_{DS}, I_D = -1.0mA$
$\Delta V_{GS(th)}$	Change in $V_{GS(th)}$ with temperature	-	-	5.0	mV/°C	$V_{GS} = V_{DS}, I_D = -1.0mA$
R_{GS}	Gate-to-source shunt resistor	15	-	45	k Ω	$I_{GS} = -100\mu A$
V_Z	Gate-to-source Zener voltage	16	-	-	V	$I_{GS} = -1.0mA$
I_{DSS}	Zero gate voltage drain current	-	-	-10	μA	$V_{GS} = 0V, V_{DS} = \text{Max rating}$
		-	-	-1.0	mA	$V_{DS} = 0.8 \text{ Max Rating}, V_{GS} = 0V, T_A = 125^\circ\text{C}$
$I_{D(ON)}$	On-state drain current	-50	-	-	mA	$V_{GS} = -7.0V, V_{DS} = -25V$
$R_{DS(ON)}$	Static drain-to-source on-state resistance	-	180	-	Ω	$V_{GS} = -7.0V, I_D = -20mA$
C_{ISS}	Input capacitance	-	10.8	-	pF	$V_{GS} = 0V, V_{DS} = -25V, f = 1.0MHz$
C_{OSS}	Common source output capacitance	-	4.2	-		
C_{RSS}	Reverse transfer capacitance	-	3.1	-		
$t_{d(ON)}$	Turn-on delay time	-	1.0	-	ns	$V_{DD} = -25V, I_D = -50mA, R_{GEN} = 25\Omega$
t_r	Rise time	-	11.5	-		
$t_{d(OFF)}$	Turn-off delay time	-	3.8	-		
t_f	Fall time	-	16	-		
V_{SD}	Diode forward voltage drop	-	-	-1.8	V	$V_{GS} = 0V, I_{SD} = -25mA$
t_{rr}	Reverse recovery time	-	300	-	ns	$V_{GS} = 0V, I_{SD} = -25mA$

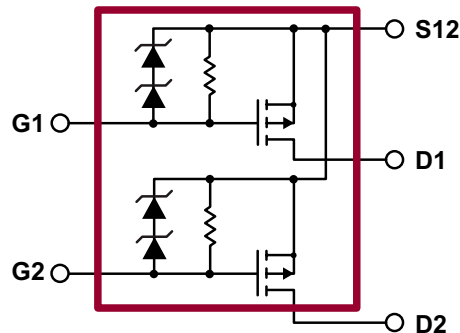
Notes:

1. All D.C. parameters 100% tested at 25°C unless otherwise stated. (Pulse test: 300 μs pulse, 2% duty cycle.)
2. All A.C. parameters sample tested.

Switching Waveforms and Test Circuit

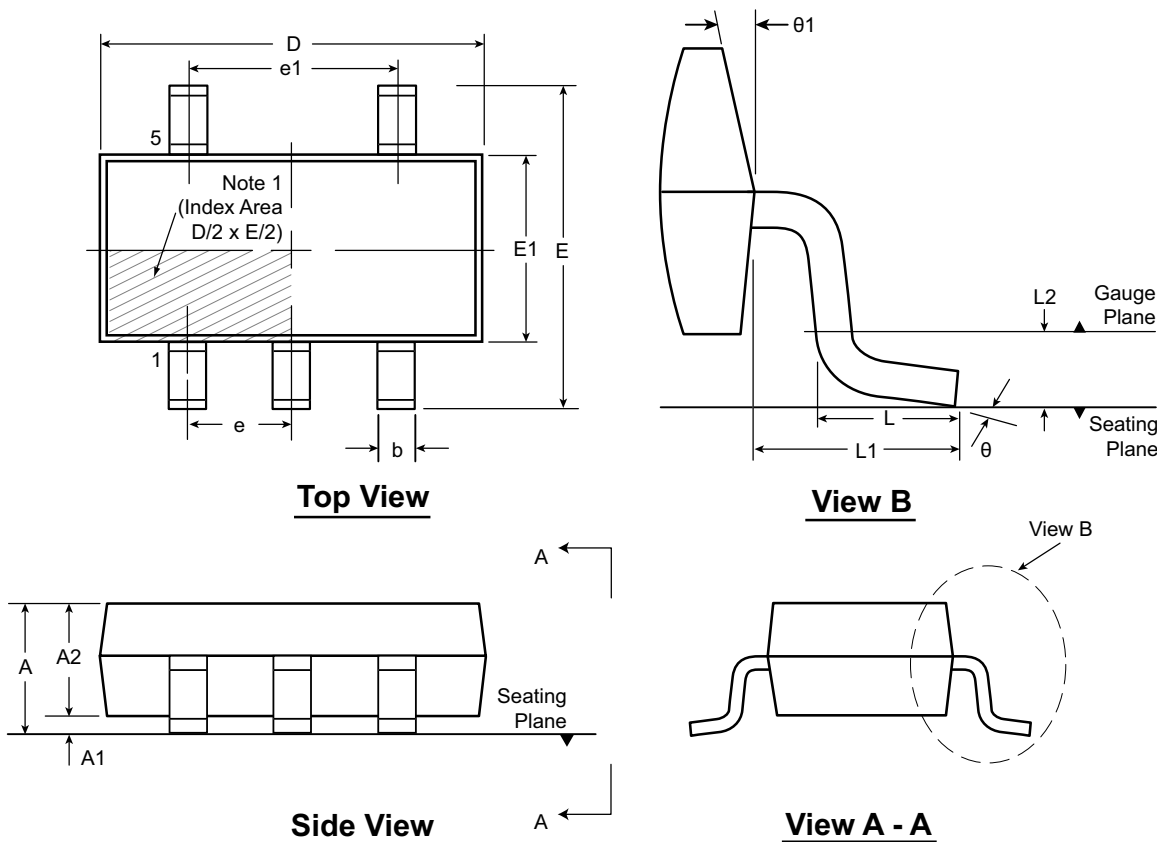


Block Diagram



5-Lead SOT-23 Package Outline (K1)

2.90x1.60mm body, 1.45mm height (max), 0.95mm pitch



Note:
 1. A Pin 1 identifier must be located in the index area indicated. The Pin 1 identifier can be: a molded mark/identifier; an embedded metal marker; or a printed indicator.

Symbol	A	A1	A2	b	D	E	E1	e	e1	L	L1	L2	θ	θ1	
Dimension (mm)	MIN	0.90*	0.00	0.90	0.30	2.75*	2.60*	1.45*	0.95 BSC	1.90 BSC	0.30	0.60 REF	0.25 BSC	0°	5°
	NOM	-	-	1.15	-	2.90	2.80	1.60			0.45			4°	10°
	MAX	1.45	0.15	1.30	0.50	3.05*	3.00*	1.75*			0.60			8°	15°

JEDEC Registration MO-178, Variation AA, Issue C, Feb. 2000.

* This dimension is not specified in the JEDEC drawing.

Drawings not to scale.

Supertex Doc. #: DSPD-5SOT23K1, Version A041309.

(The package drawing(s) in this data sheet may not reflect the most current specifications. For the latest package outline information go to <http://www.supertex.com/packaging.html>.)

Supertex inc. does not recommend the use of its products in life support applications, and will not knowingly sell them for use in such applications unless it receives an adequate "product liability indemnification insurance agreement." **Supertex inc.** does not assume responsibility for use of devices described, and limits its liability to the replacement of the devices determined defective due to workmanship. No responsibility is assumed for possible omissions and inaccuracies. Circuitry and specifications are subject to change without notice. For the latest product specifications refer to the **Supertex inc.** (website: <http://www.supertex.com>)