



Chipsmall Limited consists of a professional team with an average of over 10 year of expertise in the distribution of electronic components. Based in Hongkong, we have already established firm and mutual-benefit business relationships with customers from,Europe,America and south Asia,supplying obsolete and hard-to-find components to meet their specific needs.

With the principle of “Quality Parts,Customers Priority,Honest Operation,and Considerate Service”,our business mainly focus on the distribution of electronic components. Line cards we deal with include Microchip,ALPS,ROHM,Xilinx,Pulse,ON,Everlight and Freescale. Main products comprise IC,Modules,Potentiometer,IC Socket,Relay,Connector.Our parts cover such applications as commercial,industrial, and automotives areas.

We are looking forward to setting up business relationship with you and hope to provide you with the best service and solution. Let us make a better world for our industry!



Contact us

Tel: +86-755-8981 8866 Fax: +86-755-8427 6832

Email & Skype: info@chipsmall.com Web: www.chipsmall.com

Address: A1208, Overseas Decoration Building, #122 Zhenhua RD., Futian, Shenzhen, China



SERIES LP11 SWITCHES



ILLUMINATED PUSHBUTTON



FEATURES & BENEFITS

Multiple illumination options
Tactile or Non-tactile feel
Multiple cap sizes

APPLICATIONS / MARKETS

Computer Servers/peripherals
Performance Audio
Instrumentation
Telecommunications/networking

MECHANICAL SPECIFICATIONS

Mechanical Life:	1,000,000 cycles
Force:	250 +/- 100 gf
Travel:	4.50 +/- 0.2mm

ELECTRICAL SPECIFICATIONS

Electrical Life:	1,000,000 cycles
Contact Rating:	100mA @ 12VDC
Contact Resistance:	200mΩ (initial max)
Insulation Resistance:	100MΩ (Min @ 500VDC)
Dielectric Strength:	500VAC

ENVIRONMENTAL SPECIFICATIONS

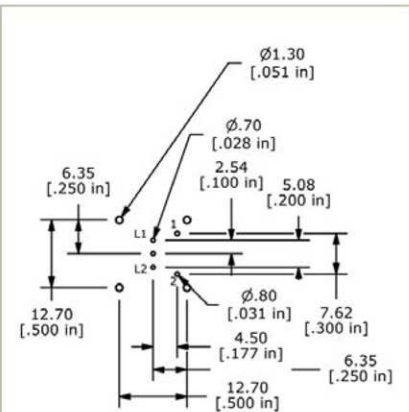
Operating Temperature:	-20°C to +70°C
Storage Temperature:	-20°C to +70°C

HOW TO ORDER:

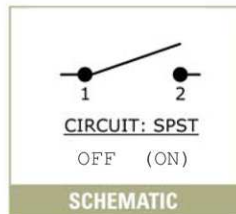
SERIES	FUNCTION STYLE	CIRCUIT	ACTUATION TYPE	CAP SIZE	CAP CONFIGURATION	LED COLORS
LP11	OA = Momentary	1 = SPST	N = Non Tactile T = Tactile Feel	A = 12 mm sq. B = 15 mm sq. C = 17.4 mm sq.	S = Sculptured	RR = RED-RED RG = RED-GRN RY = RED-YEL RB = RED-BLU RW = RED-WHT YY = YEL-YEL YG = YEL-GRN YB = YEL-BLU YW = YEL-WHT GG = GRN-GRN GB = GRN-BLU GW = GRN-WHT BB = BLU-BLU BW = BLU-WHT WW = WHT-WHT

Example Ordering Code: LP11-OA-1-N-B-S-RG

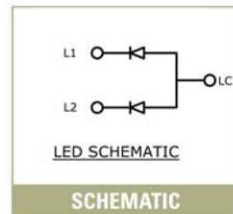
Specifications subject to change without notification.



MOUNTING



SCHEMATIC



SCHEMATIC



LED SPECIFICATIONS

LED PARAMETER	UNITS	RED	GREEN	YELLOW	BLUE	WHITE
Forward Current	mA	20	20	20	20	20
Forward Voltage @ 20mA	V	1.9 - 2.4	3.1 - 3.8	2.05 - 2.4	3.3 - 3.8	3.0 - 3.6
Luminous Intensity (Typ.)	mcd	40	250	70	70	500

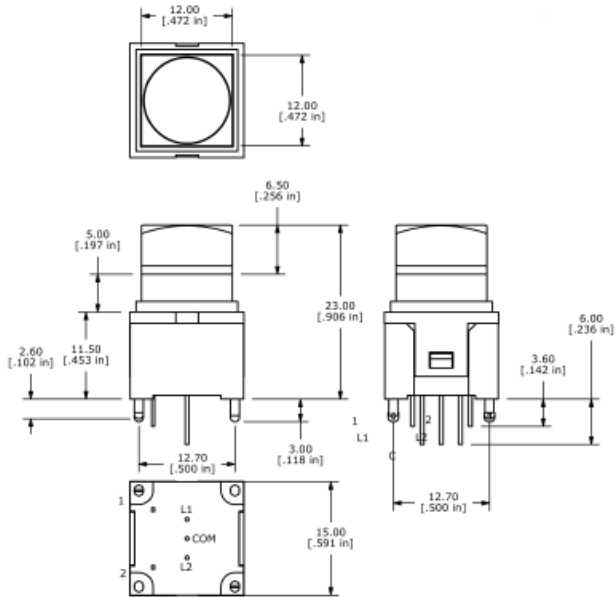
SERIES LP11 SWITCHES



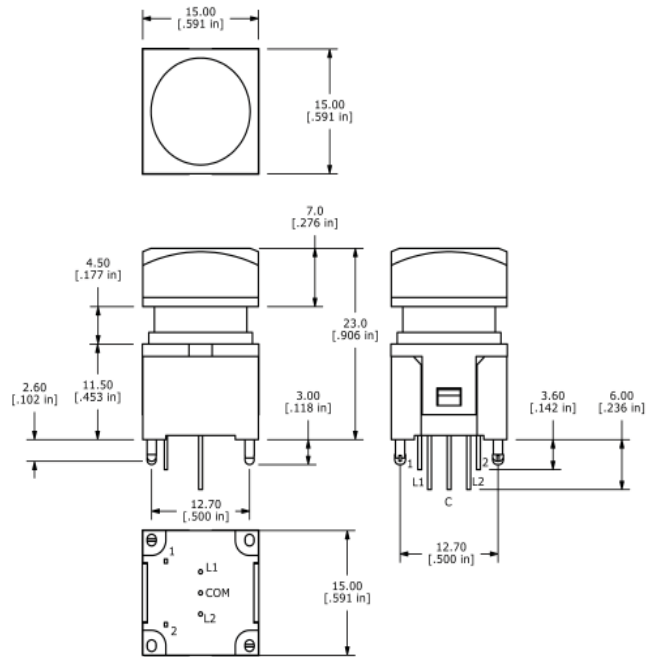
E-SWITCH™

ILLUMINATED PUSHBUTTON

CAP SIZE "A" - 12mm square



CAP SIZE "B" - 15mm square



CAP SIZE "C" - 17.4mm square

