



Chipsmall Limited consists of a professional team with an average of over 10 year of expertise in the distribution of electronic components. Based in Hongkong, we have already established firm and mutual-benefit business relationships with customers from,Europe,America and south Asia,supplying obsolete and hard-to-find components to meet their specific needs.

With the principle of “Quality Parts,Customers Priority,Honest Operation,and Considerate Service”,our business mainly focus on the distribution of electronic components. Line cards we deal with include Microchip,ALPS,ROHM,Xilinx,Pulse,ON,Everlight and Freescale. Main products comprise IC,Modules,Potentiometer,IC Socket,Relay,Connector.Our parts cover such applications as commercial,industrial, and automotives areas.

We are looking forward to setting up business relationship with you and hope to provide you with the best service and solution. Let us make a better world for our industry!



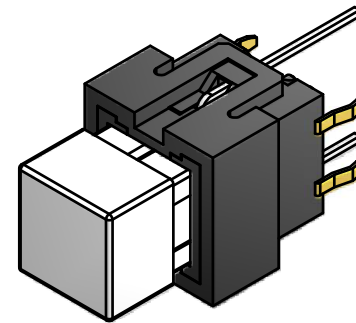
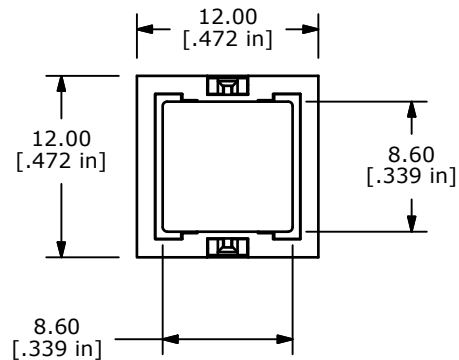
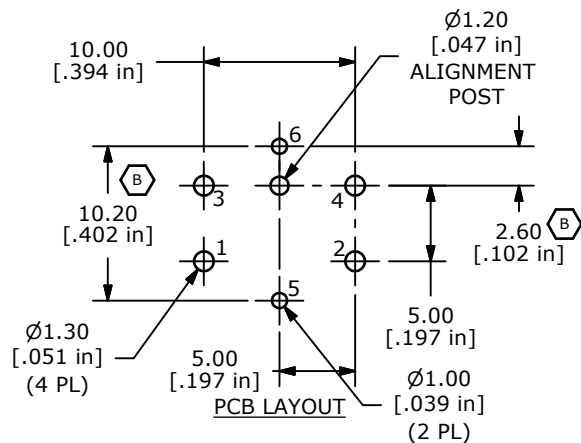
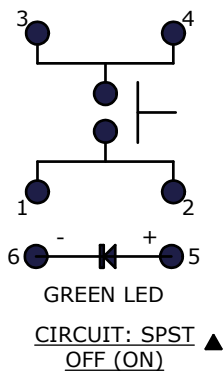
Contact us

Tel: +86-755-8981 8866 Fax: +86-755-8427 6832

Email & Skype: info@chipsmall.com Web: www.chipsmall.com

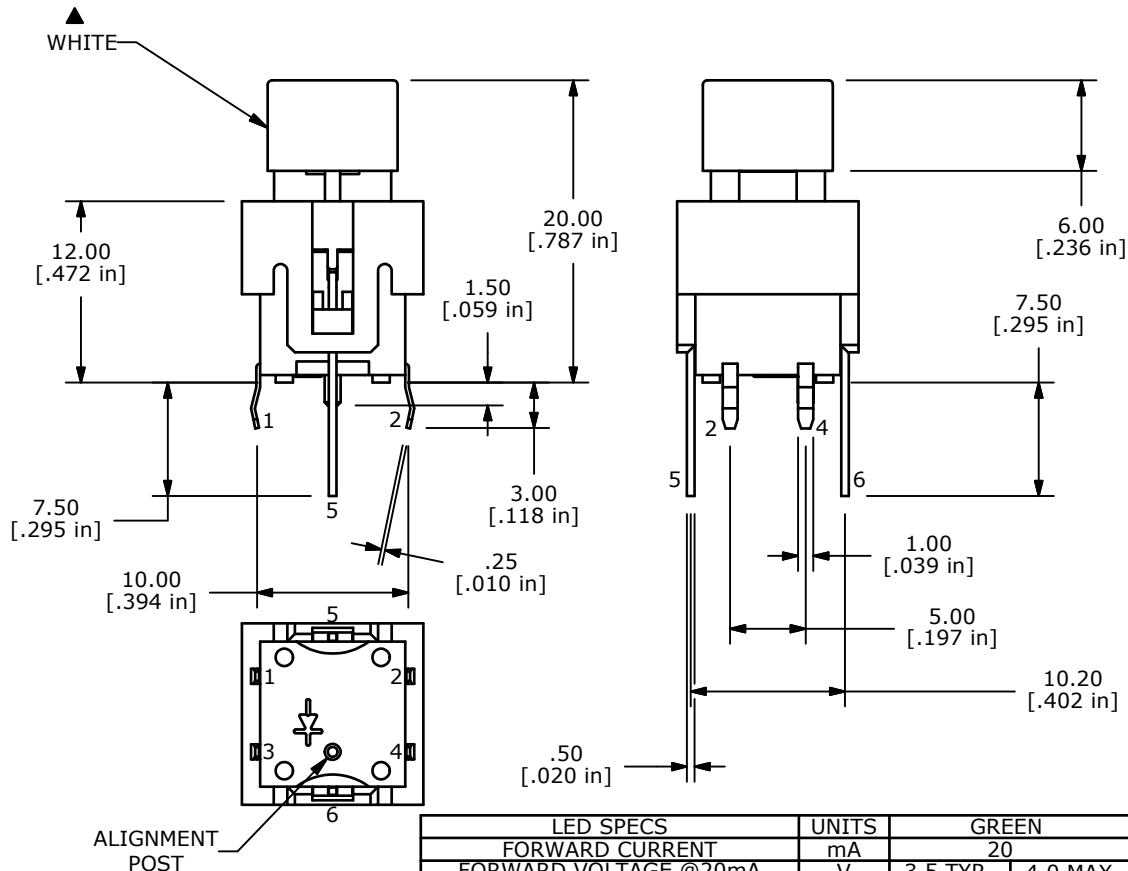
Address: A1208, Overseas Decoration Building, #122 Zhenhua RD., Futian, Shenzhen, China





NOTES:

1. ALL DIMENSIONS IN MM [INCH]
2. GENERAL TOLERANCE: X.X=±0.4
X.XX=±0.25
3. RATING: 20VDC @ 1mA
4. CONTACT RESISTANCE: 200Ω MAX.
5. INSULATION RESISTANCE: 100MΩ MIN. @ 100VDC.
6. OPERATING FORCE: 125± 35gf
7. TRAVEL: 1.3 +/- 0.3 mm
8. OPERATING TEMPERATURE: -20°C TO 70°C
9. OPERATING LIFE: 300,000 CYCLES
10. LED: GREEN
11. ▲ DENOTES CRITICAL PARAMETERS
12. 2002/95/EC (ROHS) COMPLIANT
13. CONTACT MATR'L: GOLD FLASH OVER NICKEL



LED SPECS		UNITS	GREEN	
FORWARD CURRENT		mA	20	
FORWARD VOLTAGE @20mA		V	3.5 TYP.	4.0 MAX.
LUMINOUS INTENSITY @ 20mA		mcd	550 MIN.	1100 TYP.

REV	PCR NO	DESCRIPTION	DATE	BY
C	20507	Added Note For Gold Flash Over Nickel	3/2/2012	MM
B	19590	UPDATE PCB LAYOUT	1/17/11	BGL
A	18656	New Release	9/14/09	rc

E-SWITCH™				
TITLE LP15S1WHTGRN-N				
SCALE 2 : 1	DATE 8/17/2009	DR rc	DWG B270002	REV C