



Chipsmall Limited consists of a professional team with an average of over 10 year of expertise in the distribution of electronic components. Based in Hongkong, we have already established firm and mutual-benefit business relationships with customers from,Europe,America and south Asia,supplying obsolete and hard-to-find components to meet their specific needs.

With the principle of “Quality Parts,Customers Priority,Honest Operation,and Considerate Service”,our business mainly focus on the distribution of electronic components. Line cards we deal with include Microchip,ALPS,ROHM,Xilinx,Pulse,ON,Everlight and Freescale. Main products comprise IC,Modules,Potentiometer,IC Socket,Relay,Connector.Our parts cover such applications as commercial,industrial, and automotives areas.

We are looking forward to setting up business relationship with you and hope to provide you with the best service and solution. Let us make a better world for our industry!



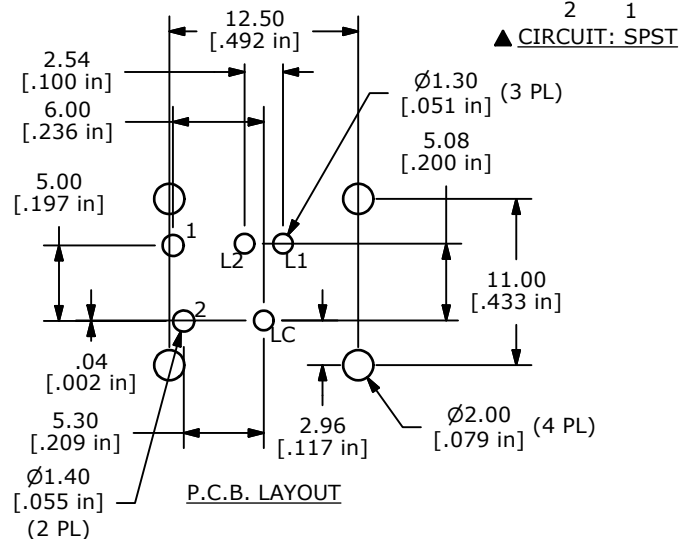
## Contact us

Tel: +86-755-8981 8866 Fax: +86-755-8427 6832

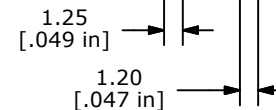
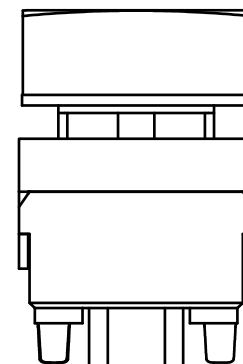
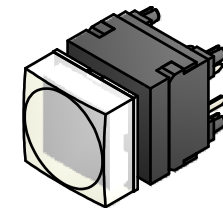
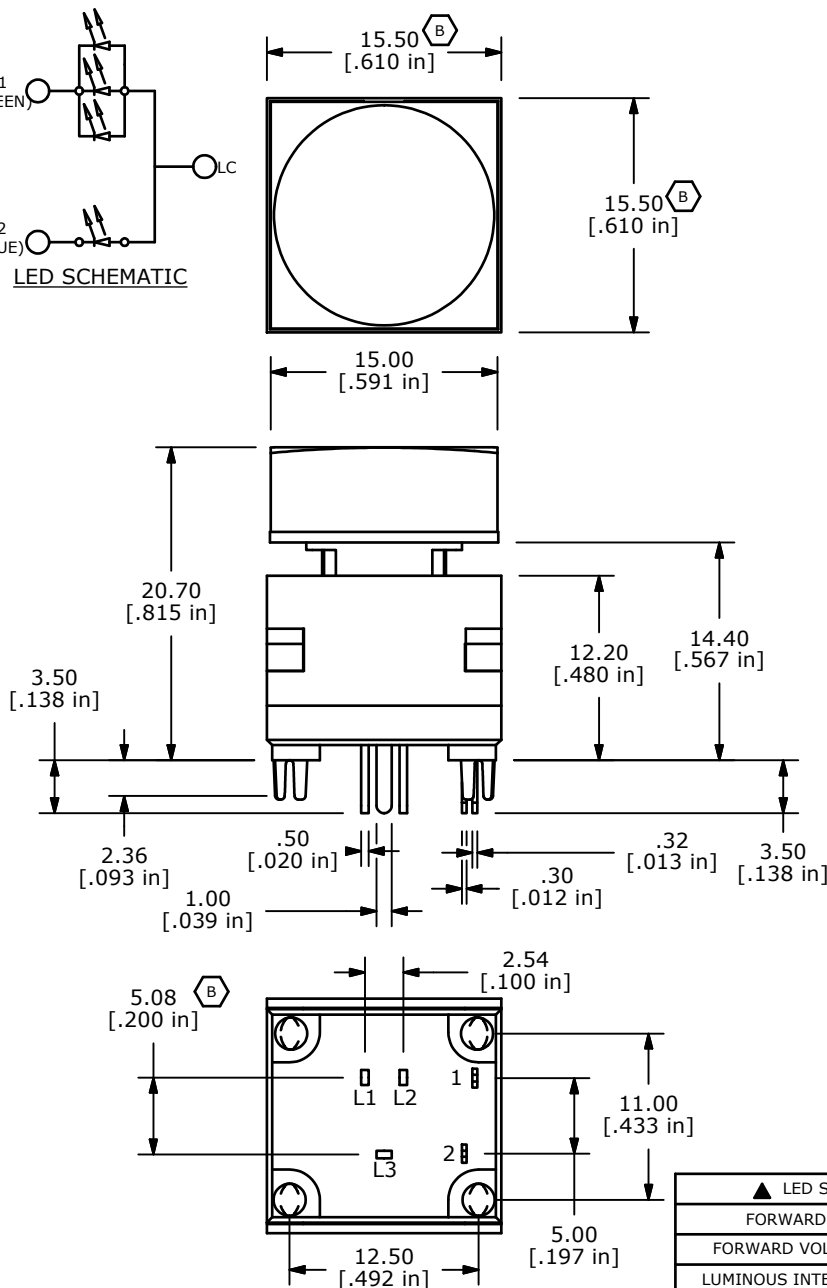
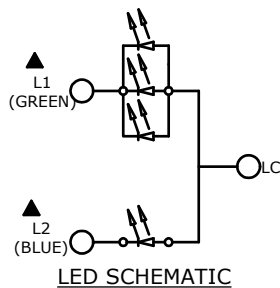
Email & Skype: info@chipsmall.com Web: www.chipsmall.com

Address: A1208, Overseas Decoration Building, #122 Zhenhua RD., Futian, Shenzhen, China





▲ **CIRCUIT: SPST**



- NOTES:**
1. ALL DIMENSIONS IN MM [INCH]
  2. GENERAL TOLERANCE: X.X=± 0.4  
X.XX=± 0.25
  3. TERM. NOS. FOR REFERENCE ONLY.
  4. RATING: 12VDC, 12mA; SPST
  5. CONTACT MATERIAL: GOLD
  6. CONTACT RESISTANCE: 50 MILLI-OHM MAX.
  7. INSULATION RESISTANCE: 500VDC, 100 MEGA-OHM MIN.
  - ▲ 8. OPERATING FORCE: 150± 100GF
  9. OPERATING LIFE: 200,000 CYCLES
  10. OPERATING TEMP: -20°C TO +70°C
  - ▲ 11. LED COLORS: BLUE, GREEN
  12. TRAVEL: 2.20mm±0.20
  13. 2002/95/EC (ROHS) COMPLIANT
  14. ▲ DENOTES CRITICAL PARAMETER.

▲ LED SPECS	UNITS	BLUE	GREEN
FORWARD CURRENT	mA	25	25
FORWARD VOLTAGE @20mA	VDC	3.3	2.0
LUMINOUS INTENSITY @ 10mA	mcd	585	412



B	19589	CHANGED DIMS: was 15.6 & 5.07	1/14/11	BGL
A	18147	New Release	6/18/08	rc
REV	PCR NO	DESCRIPTION	DATE	BY

TITLE LP60A1ASGB				
SCALE	DATE	DR	DWG	REV
2=1	6/18/2008	rc	B220002	B

THE INFORMATION CONTAINED IN THIS DOCUMENT IS PROPRIETARY TO E-SWITCH AND IS NOT TO BE COPIED OR TRANSFERRED