



Chipsmall Limited consists of a professional team with an average of over 10 year of expertise in the distribution of electronic components. Based in Hongkong, we have already established firm and mutual-benefit business relationships with customers from,Europe,America and south Asia,supplying obsolete and hard-to-find components to meet their specific needs.

With the principle of “Quality Parts,Customers Priority,Honest Operation,and Considerate Service”,our business mainly focus on the distribution of electronic components. Line cards we deal with include Microchip,ALPS,ROHM,Xilinx,Pulse,ON,Everlight and Freescale. Main products comprise IC,Modules,Potentiometer,IC Socket,Relay,Connector.Our parts cover such applications as commercial,industrial, and automotives areas.

We are looking forward to setting up business relationship with you and hope to provide you with the best service and solution. Let us make a better world for our industry!



Contact us

Tel: +86-755-8981 8866 Fax: +86-755-8427 6832

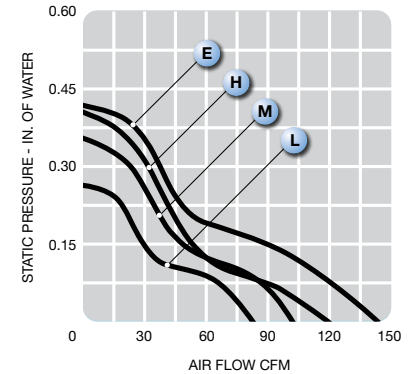
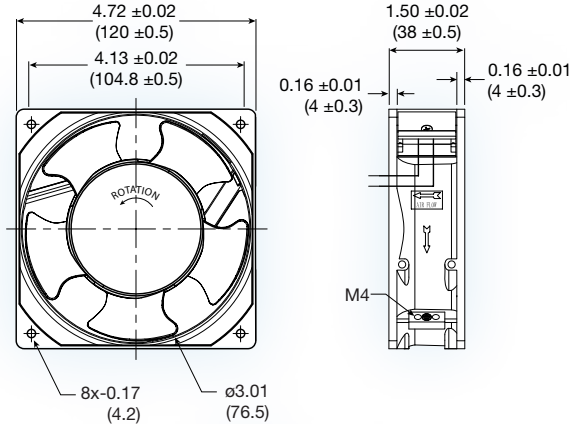
Email & Skype: info@chipsmall.com Web: www.chipsmall.com

Address: A1208, Overseas Decoration Building, #122 Zhenhua RD., Futian, Shenzhen, China





LPC12A series



(120 x 120 x 38 mm)

4.72 x 4.72 x 1.50 inches

Features: low power consumption, global input voltage

Operating voltage: 90 ~ 264 VAC

Construction: magnesium die cast frame with UL94V-0 plastic impeller

Bearing option: motor quality ball bearings

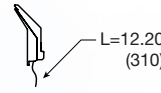
Motor: electronically comutated

Air Flow: air exhaust over struts

Connection: terminal type or lead wire



Terminal



Lead Wire

Model No.	Rated Voltage V	Freq. HZ	Input Power W	Speed RPM	Air Volume		Max. Static Pressure (H ₂ O)		Sound Noise dB _A	Weight g
					M ³ /Min.	CFM	MM	INCH		
LPC12A99-__L	90 ~ 264	50/60	6	2,800	2.4	84	7.0	0.28	43	370
LPC12A99-__M	90 ~ 264	50/60	8	3,200	2.8	100	8.5	0.34	47	370
LPC12A99-__H	90 ~ 264	50/60	10	3,600	3.4	120	9.8	0.39	52	370
LPC12A99-__E	90 ~ 264	50/60	12	4,000	4.0	140	11.0	0.44	56	370

