



Chipsmall Limited consists of a professional team with an average of over 10 year of expertise in the distribution of electronic components. Based in Hongkong, we have already established firm and mutual-benefit business relationships with customers from,Europe,America and south Asia,supplying obsolete and hard-to-find components to meet their specific needs.

With the principle of “Quality Parts,Customers Priority,Honest Operation,and Considerate Service”,our business mainly focus on the distribution of electronic components. Line cards we deal with include Microchip,ALPS,ROHM,Xilinx,Pulse,ON,Everlight and Freescale. Main products comprise IC,Modules,Potentiometer,IC Socket,Relay,Connector.Our parts cover such applications as commercial,industrial, and automotives areas.

We are looking forward to setting up business relationship with you and hope to provide you with the best service and solution. Let us make a better world for our industry!



## Contact us

Tel: +86-755-8981 8866 Fax: +86-755-8427 6832

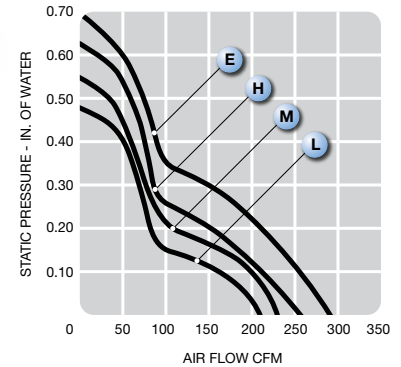
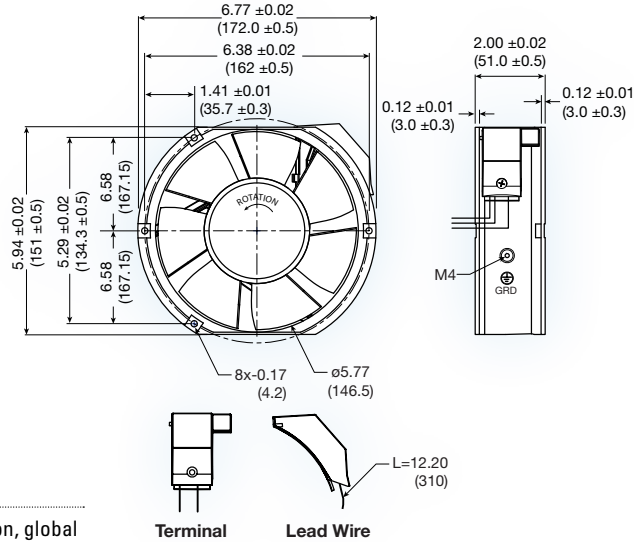
Email & Skype: info@chipsmall.com Web: www.chipsmall.com

Address: A1208, Overseas Decoration Building, #122 Zhenhua RD., Futian, Shenzhen, China





# LPC15P series



**(172 x 150 x 51 mm)**  
6.77 x 5.90 x 2.00 inches

Features: low power consumption, global input voltage

Operating voltage: 115 or 230 VAC

Construction: magnesium die cast frame with UL94V-0 plastic impeller

Bearing option: motor quality ball bearings

Motor: electronically comutated

Air Flow: air exhaust over struts

Connection: terminal type or lead wire

Model No.	Rated Voltage V	Freq. HZ	Input Power W	Speed RPM	Air Volume		Max. Static Pressure (H <sub>2</sub> O)		Sound Noise dB <sub>A</sub>	Weight g
					M <sup>3</sup> /Min.	CFM	MM	INCH		
LPC15P12-__L	115	50/60	10	2,800	5.9	210	12.0	0.48	50	666
LPC15P23-__L	230	50/60	10	2,800	5.9	210	12.0	0.48	50	666
LPC15P12-__M	115	50/60	16	3,200	6.7	235	13.8	0.55	53	666
LPC15P23-__M	230	50/60	16	3,200	6.7	235	13.8	0.55	53	666
LPC15P12-__H	115	50/60	22	3,600	7.4	260	15.8	0.63	56	666
LPC15P23-__H	230	50/60	22	3,600	7.4	260	15.8	0.63	56	666
LPC15P12-__E	115	50/60	29	4,000	8.2	290	17.5	0.70	61	666
LPC15P23-__E	230	50/60	29	4,000	8.2	290	17.5	0.70	61	666