



Chipsmall Limited consists of a professional team with an average of over 10 year of expertise in the distribution of electronic components. Based in Hongkong, we have already established firm and mutual-benefit business relationships with customers from,Europe,America and south Asia,supplying obsolete and hard-to-find components to meet their specific needs.

With the principle of “Quality Parts,Customers Priority,Honest Operation,and Considerate Service”,our business mainly focus on the distribution of electronic components. Line cards we deal with include Microchip,ALPS,ROHM,Xilinx,Pulse,ON,Everlight and Freescale. Main products comprise IC,Modules,Potentiometer,IC Socket,Relay,Connector.Our parts cover such applications as commercial,industrial, and automotives areas.

We are looking forward to setting up business relationship with you and hope to provide you with the best service and solution. Let us make a better world for our industry!



## Contact us

Tel: +86-755-8981 8866 Fax: +86-755-8427 6832

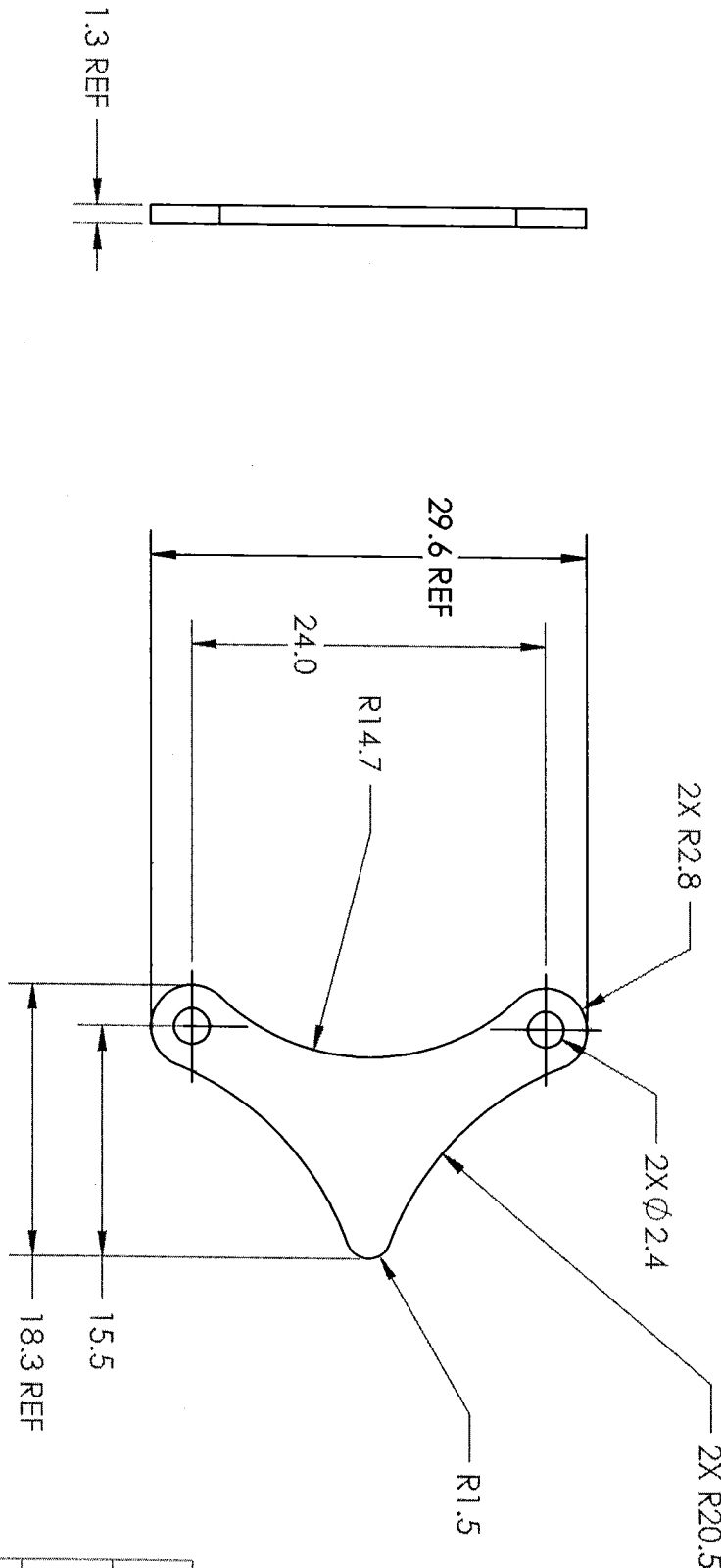
Email & Skype: info@chipsmall.com Web: www.chipsmall.com

Address: A1208, Overseas Decoration Building, #122 Zhenhua RD., Futian, Shenzhen, China



REV. #		ECO NUMBER	DESCRIPTION	DATE
A		C030586	INITIAL RELEASE	03.09.11

- NOTES:
1. FOR COMPLETE DOCUMENTATION AND DIMENSIONS REFER TO THE 3D DATABASE
  2. MATERIAL SPECIFICATION: 16 GA ALUMINUM
  3. REMOVE BURRS AND BREAK ALL SHARP EDGES
  4. DO NOT SCALE DRAWING



ENG	DATE
NWR	09.11.09
CHECK	DATE
KAG	09.11.09
MGR	DATE
PMH	09.11.09
MANF	DATE

**LOGICPD**

411 WASHINGTON AVE. SUITE 400 MINNEAPOLIS, MN 55401  
 T: 612.672.9495 F: 612.672.9489 I: WWW.LOGICPD.COM

SIZE	TITLE	REV
A	CLIP, SOM RETENTION PLATE	A
SCALE	DWG NO	SHEET
2:1	LPD-SOM-CLIP1	1 OF 1

THIS DRAWING PREPARED IN ACCORDANCE WITH ASME Y14.5-2000

ALL DIMENSIONS ARE IN MILLIMETERS UNLESS OTHERWISE SPECIFIED

TOLERANCES UNLESS OTHERWISE SPECIFIED

X ±0.5  
 XX ±0.2  
 XXX ±0.1  
 X° ±1°

THIRD ANGLE PROJECTION