



Chipsmall Limited consists of a professional team with an average of over 10 year of expertise in the distribution of electronic components. Based in Hongkong, we have already established firm and mutual-benefit business relationships with customers from,Europe,America and south Asia,supplying obsolete and hard-to-find components to meet their specific needs.

With the principle of “Quality Parts,Customers Priority,Honest Operation,and Considerate Service”,our business mainly focus on the distribution of electronic components. Line cards we deal with include Microchip,ALPS,ROHM,Xilinx,Pulse,ON,Everlight and Freescale. Main products comprise IC,Modules,Potentiometer,IC Socket,Relay,Connector.Our parts cover such applications as commercial,industrial, and automotives areas.

We are looking forward to setting up business relationship with you and hope to provide you with the best service and solution. Let us make a better world for our industry!



Contact us

Tel: +86-755-8981 8866 Fax: +86-755-8427 6832

Email & Skype: info@chipsmall.com Web: www.chipsmall.com

Address: A1208, Overseas Decoration Building, #122 Zhenhua RD., Futian, Shenzhen, China

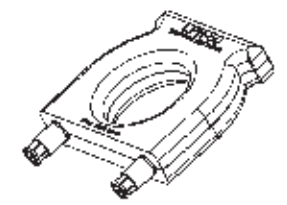
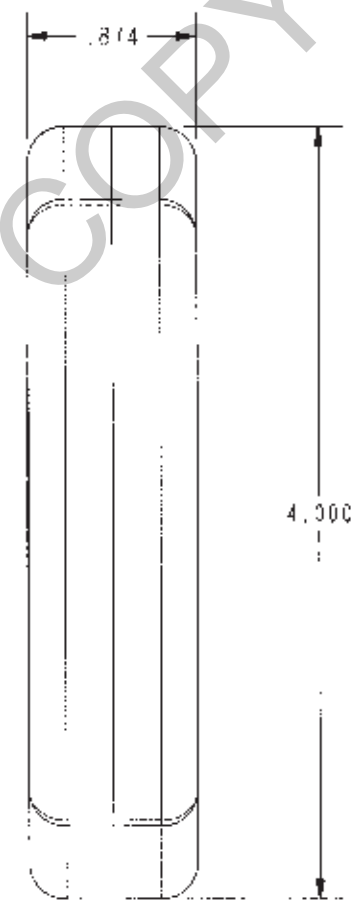
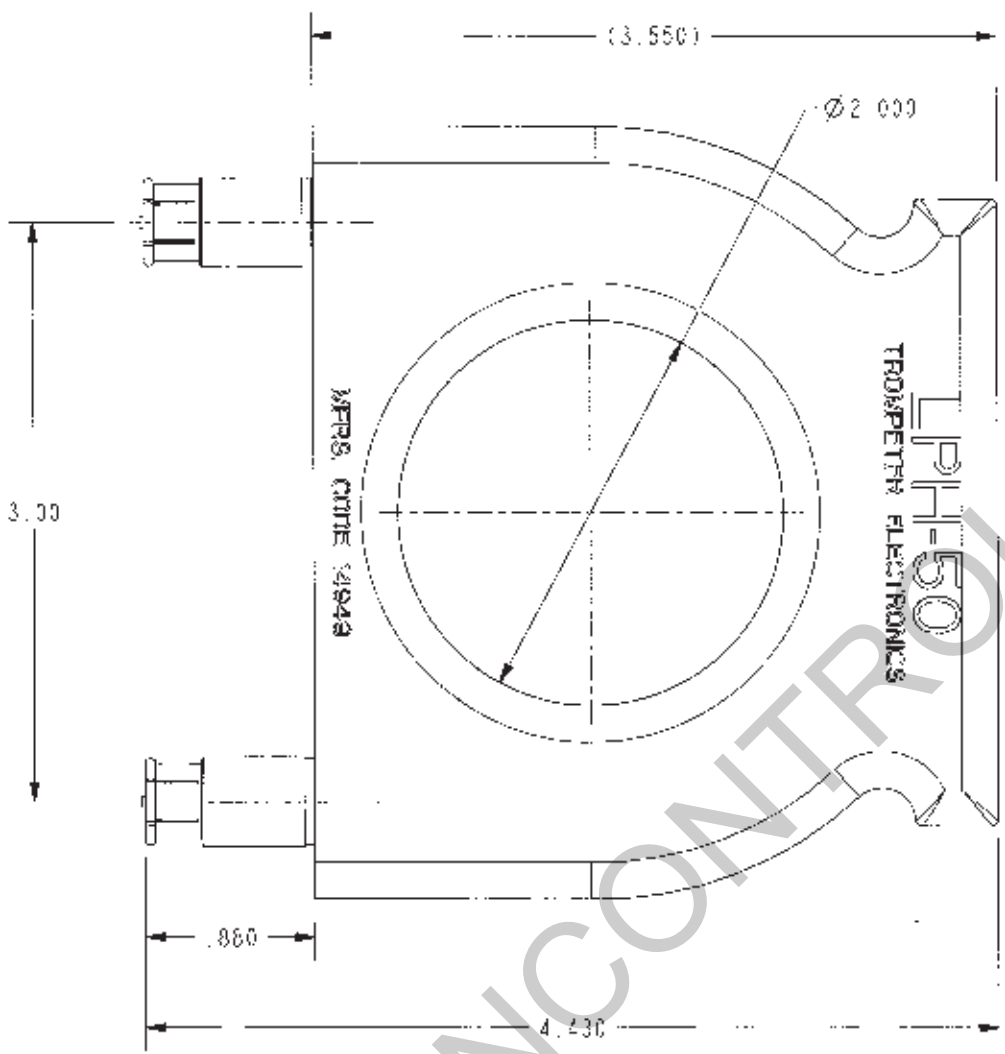


DASH NO	MFG VAL. I.F.	COLOR CODE	MOD NO
-1	50 OFMS	GREEN	1PH-50

DATA CONTAINED IN THIS DOCUMENT IS PROPRIETARY TO TROMPETER ELECTRONICS INC. AND SHALL NOT BE REPRODUCED, COPIED OR USED FOR PRODUCTION OR MANUFACTURE WITHOUT EXPRESS WRITTEN PERMISSION.

REV	DESCRIPTIONS
0	REVISED PER ECO 14949

DATE: 7/15/08
 APPROVED: *[Signature]*



SCALE 1/1

RED INDICATES ORIGINAL

1. FINISH: PLUGS, TFS-1A (NICKEL)
 HANDLE, SEE COLOR CODE IN CHART

NOTES: UNLESS OTHERWISE SPECIFIED.

UNLESS OTHERWISE SPECIFIED PER MIL-STD-100 DIMENSIONS ARE IN INCHES AND INCLUDE FINISH THICKNESS UNLESS OTHERWISE SPECIFIED.	UNLESS SPECIFIED .000 + .000 .000 + .000 .000 + .000 .000 + .000 .000 + .000
DATE: 3-26-08 BY: N JOHNSON	DATE: 6-23-08 BY: Jim
DATE: 7/15/08 BY: Jim	DATE: 8-2-05 BY: [Signature]
DATE: 1-04-99	DATE: 8-2-05



LPH

SIZE: A	PAGE: 001	DEPARTING NO.: -0422	REV: C
SCALE: 1/1	DATE: 8-2-05	DATE: 8-2-05	DATE: 8-2-05

NEXT ASSY

DO NOT SCALE DIMS

IC