



Chipsmall Limited consists of a professional team with an average of over 10 year of expertise in the distribution of electronic components. Based in Hongkong, we have already established firm and mutual-benefit business relationships with customers from,Europe,America and south Asia,supplying obsolete and hard-to-find components to meet their specific needs.

With the principle of “Quality Parts,Customers Priority,Honest Operation,and Considerate Service”,our business mainly focus on the distribution of electronic components. Line cards we deal with include Microchip,ALPS,ROHM,Xilinx,Pulse,ON,Everlight and Freescale. Main products comprise IC,Modules,Potentiometer,IC Socket,Relay,Connector.Our parts cover such applications as commercial,industrial, and automotives areas.

We are looking forward to setting up business relationship with you and hope to provide you with the best service and solution. Let us make a better world for our industry!



Contact us

Tel: +86-755-8981 8866 Fax: +86-755-8427 6832

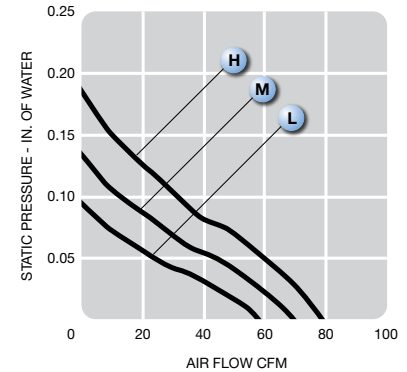
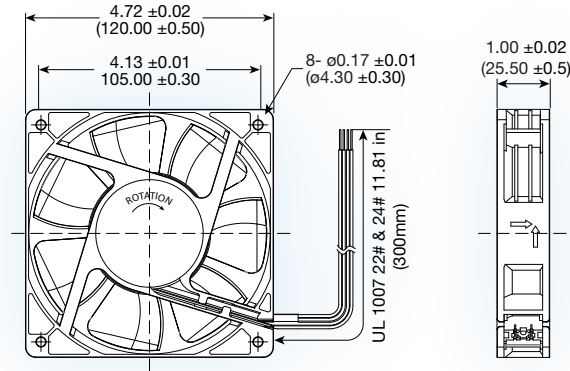
Email & Skype: info@chipsmall.com Web: www.chipsmall.com

Address: A1208, Overseas Decoration Building, #122 Zhenhua RD., Futian, Shenzhen, China





LPH12B99 series



(120 x 120 x 25 mm)
4.72 x 4.72 x 1.00 inches

	Operating voltage:												
		100 to 240 VAC											
Construction:	plastic frame and impeller	Model No.	Rated Voltage V	Freq. HZ	Input Power W	Rated Cur. A	Speed RPM	Air Volume		Max. Static Pressure (H ₂ O)		Sound Noise dB A	Weight g
Bearing option:	ball bearing							M ³ /Min.	CFM	MM	INCH		
Motor:	electronically commutated	LPH12B99-L	100-240	50/60	2.4	0.06	2200	1.6	58	2.5	0.10	37	147
Air flow:	exhaust over struts	LPH12B99-M	100-240	50/60	3.8	0.08	2600	2.0	70	3.3	0.13	41	147
Connection:	lead wire UL1007 24AWG or terminal	LPH12B99-H	100-240	50/60	6.0	0.10	3000	2.2	79	4.6	0.18	44	147
Protection:	auto restart												
Options:	tachometer, PWM, environmental protection												