



Chipsmall Limited consists of a professional team with an average of over 10 year of expertise in the distribution of electronic components. Based in Hongkong, we have already established firm and mutual-benefit business relationships with customers from,Europe,America and south Asia,supplying obsolete and hard-to-find components to meet their specific needs.

With the principle of "Quality Parts,Customers Priority,Honest Operation,and Considerate Service",our business mainly focus on the distribution of electronic components. Line cards we deal with include Microchip,ALPS,ROHM,Xilinx,Pulse,ON,Everlight and Freescale. Main products comprise IC,Modules,Potentiometer,IC Socket,Relay,Connector.Our parts cover such applications as commercial,industrial, and automotives areas.

We are looking forward to setting up business relationship with you and hope to provide you with the best service and solution. Let us make a better world for our industry!



Contact us

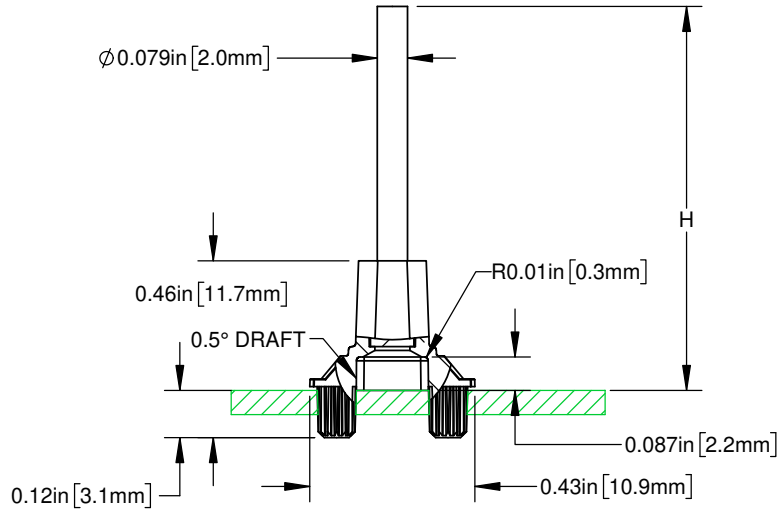
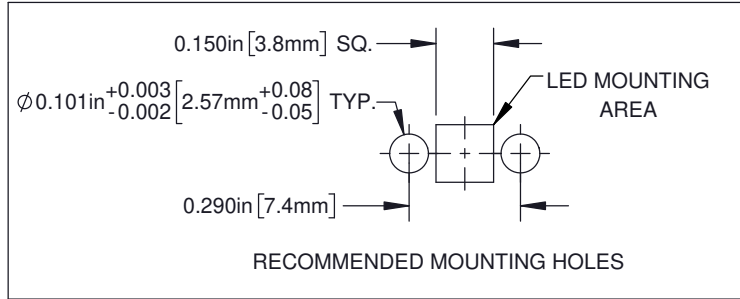
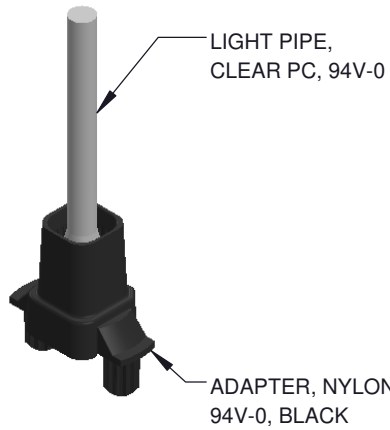
Tel: +86-755-8981 8866 Fax: +86-755-8427 6832

Email & Skype: info@chipsmall.com Web: www.chipsmall.com

Address: A1208, Overseas Decoration Building, #122 Zhenhua RD., Futian, Shenzhen, China

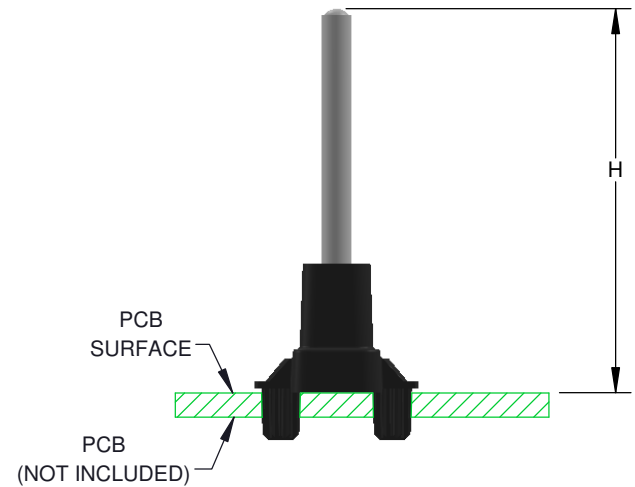
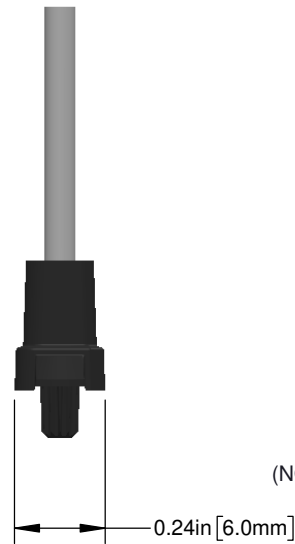
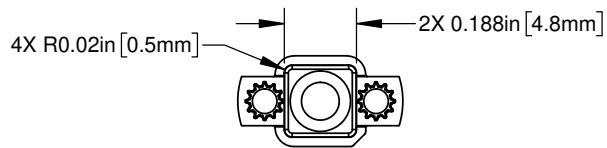


REVISIONS			
REV.	DESCRIPTION	DATE	APPROVED
A	Engineering Release	3/16/2018	M.C.



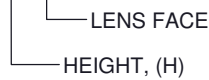
FLAT FACE LENS


DIMENSIONS ARE APPLICABLE TO BOTH LENS FACES UNLESS OTHERWISE NOTED



DOME FACE LENS

PART NUMBER CONFIGURATION
(SEE PAGE 2, TABLES A & B)
LPV2-XXXXXP



STANDARD TOLERANCE (UNLESS OTHERWISE SPECIFIED)		 4 THOMAS, IRVINE, CA. 92618 TEL: (949) 951-8808 FAX: (949) 951-3974	
DECIMALS	ANGULAR		
.X ± .1	X° ± 1°	TITLE: BIVAR LIGHT PIPE SYSTEM, VERTICAL, 2MM, SINGLE STATION	
.XX ± .01			
.XXX ± .005			
DESIGNED: K. BARON	DATE: 03/16/18	PART NO.: LPV2-XXXXXP	REVISION: A
REVISED: N/A	DATE: N/A	CAGE CODE: 32559	
CHECKED: TD. NGUYEN	DATE: 03/16/18	SCALE: 2:1	SHEET # 1 OF 2

CAD GENERATED DOCUMENT, DO NOT MEASURE DRAWING

REVISIONS			
REV.	DESCRIPTION	DATE	APPROVED
	See Sheet 1		

STANDARD ORDERING INFORMATION

TABLE A - FLAT FACE LENS	
PART NO.	H ±.01
LPV2-0350FP	0.350 [8.9mm]
LPV2-0400FP	0.400 [10.2mm]
LPV2-0450FP	0.450 [11.4mm]
LPV2-0500FP	0.500 [12.7mm]
LPV2-0550FP	0.550 [14.0mm]
LPV2-0600FP	0.600 [15.2mm]
LPV2-0750FP	0.750 [19.1mm]
LPV2-1000FP	1.000 [25.4mm]
LPV2-1250FP	1.250 [31.8mm]
LPV2-1500FP	1.500 [38.1mm]
LPV2-1750FP	1.750 [44.5mm]
LPV2-2000FP	2.000 [50.8mm]

TABLE B - DOME FACE LENS	
PART NO.	H ±.01
LPV2-0350DP	0.350 [8.9mm]
LPV2-0400DP	0.400 [10.2mm]
LPV2-0450DP	0.450 [11.4mm]
LPV2-0500DP	0.500 [12.7mm]
LPV2-0550DP	0.550 [14.0mm]
LPV2-0600DP	0.600 [15.2mm]
LPV2-0750DP	0.750 [19.1mm]
LPV2-1000DP	1.000 [25.4mm]
LPV2-1250DP	1.250 [31.8mm]
LPV2-1500DP	1.500 [38.1mm]
LPV2-1750DP	1.750 [44.5mm]
LPV2-2000DP	2.000 [50.8mm]

BIVAR [®]		REVISION:
PART NO: LPV2-XXXXXP		A
SCALE: N/A	SHEET # 2 OF 2	
CAD GENERATED DOCUMENT, DO NOT MEASURE DRAWING		