



Chipsmall Limited consists of a professional team with an average of over 10 year of expertise in the distribution of electronic components. Based in Hongkong, we have already established firm and mutual-benefit business relationships with customers from,Europe,America and south Asia,supplying obsolete and hard-to-find components to meet their specific needs.

With the principle of “Quality Parts,Customers Priority,Honest Operation,and Considerate Service”,our business mainly focus on the distribution of electronic components. Line cards we deal with include Microchip,ALPS,ROHM,Xilinx,Pulse,ON,Everlight and Freescale. Main products comprise IC,Modules,Potentiometer,IC Socket,Relay,Connector.Our parts cover such applications as commercial,industrial, and automotives areas.

We are looking forward to setting up business relationship with you and hope to provide you with the best service and solution. Let us make a better world for our industry!



## Contact us

Tel: +86-755-8981 8866 Fax: +86-755-8427 6832

Email & Skype: info@chipsmall.com Web: www.chipsmall.com

Address: A1208, Overseas Decoration Building, #122 Zhenhua RD., Futian, Shenzhen, China



# RED INDICATES ORIGINAL

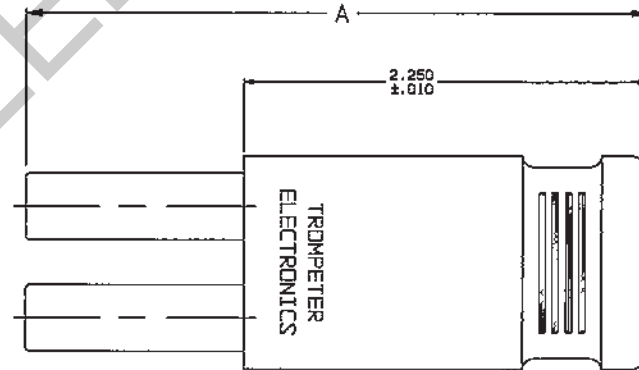
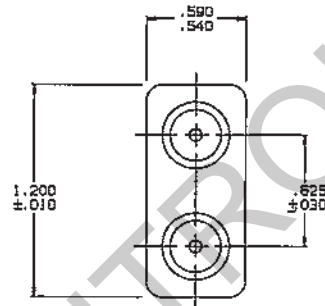
DATA CONTAINED IN THIS DOCUMENT IS PROPRIETARY TO TROMPETER ELECTRONICS INC. AND SHALL NOT BE DISCLOSED, COPIED OR USED FOR REPRODUCTION OR MANUFACTURE WITHOUT EXPRESS WRITTEN PERMISSION.

REVISIONS			1-0421	SH 1
REV	ED	DESCRIPTION	DWN APPROVED	DATE
H	12578	ADDED: -7 SEE ECO	R L I	12/23/98

DASH NO	MODEL NO	IMPEDANCE VALUE	CASE COLOR	A DIM	
-1	LP-50	50 OHMS	GREEN	3.785	
-W1	LPW-50			3.458	
-2	LP-75	75 OHMS	VIOLET	3.785	
-W2	LPW-75			3.458	
-3	LP-93	93 OHMS	WHITE	3.785	
-W3	LPW-93			3.458	
-4	LP-4- $\triangle$ <sub>5</sub>	$\triangle$ <sub>5</sub>	BLACK	3.785	
-W4	LPW-4- $\triangle$ <sub>5</sub>			3.458	
-5	LP-5- $\triangle$ <sub>5</sub>		RED	3.785	
-W5	LPW-5- $\triangle$ <sub>5</sub>		3.458		
-6	LP-6- $\triangle$ <sub>5</sub>		GRAY	3.785	
-W6	LPW-6- $\triangle$ <sub>5</sub>			3.458	
-7	LP-7		$\triangle$ <sub>6</sub>	GREEN/ BLACK	3.785

$\triangle$ <sub>4</sub>  $\triangle$ <sub>5</sub>

INCH	MM
.010	0.25
.030	0.75
.540	13.72
.590	14.99
.625	15.88
1.200	30.48
2.250	25.40
3.485	88.52
3.785	95.63



-W2, -W4-75, -W5-75 & -W6-75 SHOWN

- $\triangle$ <sub>6</sub> 50 OHMS DOUBLE SHIELDED RG223-H17/167-00001
- $\triangle$ <sub>5</sub> IMPEDANCE VALUE OF -4 THRU -W6, MAY BE -50, -75, OR -93 (OHMS), EXAMPLE: 1-0421-4-50, -4-75, ETC
- $\triangle$ <sub>4</sub> PREFIX "W" DENOTES W.E.CO. TYPE. ALL OTHERS ARE RCA
- 3. COAXIAL STANDARD SIZE LOOPING PLUG
- 2. FINISH: BARREL, TFS-II (NICKEL)  
CASE (SEE CHART)
- 1. ALL DIMENSIONS ARE IN INCHES

QTY	DESCRIPTION	PART NUMBER	ITEM
TOL UNLESS SPECIFIED .001 .002 .0004 ANGLES	<b>TROMPETER</b> RF connectivity	LP / LPW	
DWN CHK ENGR APPR	R L 12/21/98 12/23/98 722278	MATERIAL CODE IDENT 14948	DRAWING NO. REV 1-0421 H
NEXT ASSY	SCALE: 2/1	DATE 6-25-74	SHEET 1 OF 2